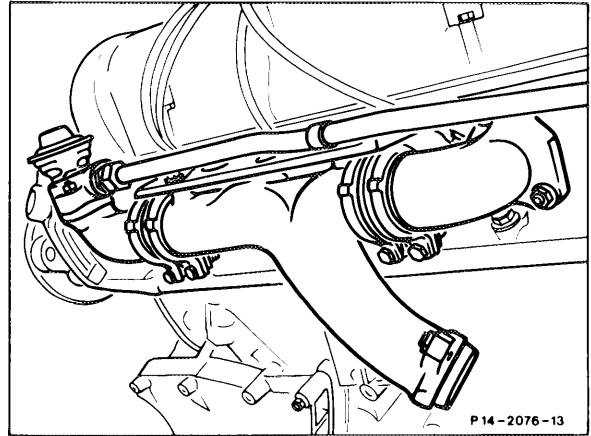


14-472 Survey exhaust manifolds

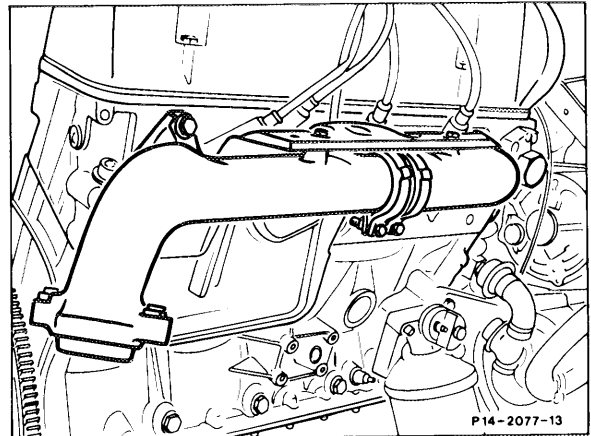
Model 107

Engine 117.967

left



right

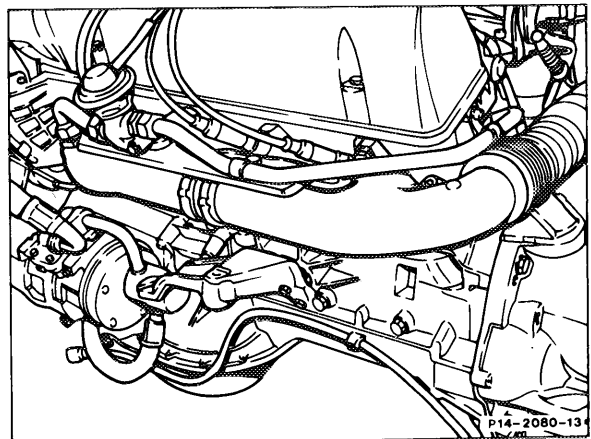


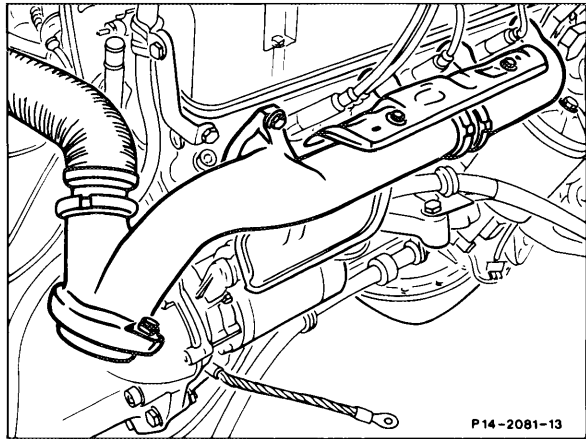
Model 126

Engine 116.965

Engine 117.968

left





right