

A. Model 107

Caution!

Do not unscrew closing plate (11) when removing engine mount (4).

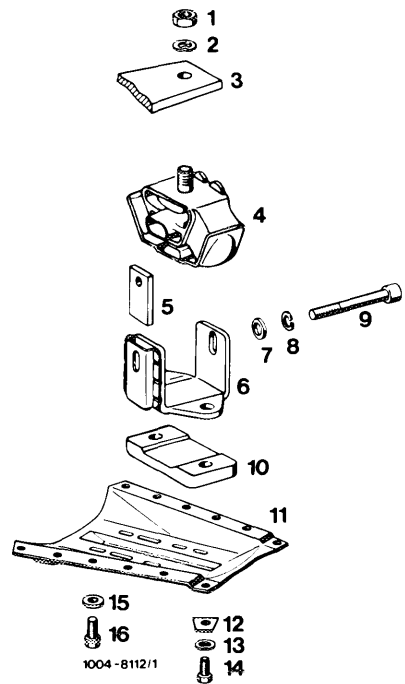
Attach engine mount to closing plate without tension.

Upon installation of engine mount, run engine for a short period at idle speed with adjusting screw loose. Tighten adjusting screw (9) to 30 Nm with engine stopped.

Caution!

Check regulating linkage for proper function.

- | | |
|------------------------------|----------------------------|
| 1 Nut M 12 x 1,5 | 9 Adjusting screw M 8 x 75 |
| 2 Spring washer B 12 | 10 Spacer |
| 3 Transmission flange | 11 Closing plate |
| 4 Engine mount 123 240 04 13 | 12 Washer |
| 5 Threaded plate | 13 Spring washer A 8 |
| 6 Bracket | 14 Screw M 8 x 32 |
| 7 Washer 8.4 | 15 Washer |
| 8 Spring washer A 8 | 16 Screw M 8 x 20 |



B. Model 126

Caution!

Do not unscrew engine carrier (5) for removing engine mount (3).

When installing the engine mount (3), attach without tension by means of screws (9) to the engine carrier (5) with elongated holes.

Engine mount H = 67–69 mm
 Engine carrier L = 31 mm

