

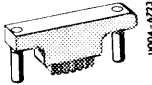
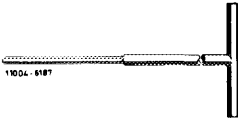
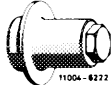


## 05-440 Removal and installation of return sprocket

Tightening torques		Nm
Crankshaft end bolt front	with 3 diaphragm springs <sup>1)</sup>	270-330
	with 4 diaphragm springs <sup>1)</sup>	370-400

<sup>1)</sup> See Note 03-324.

### Special tools

Torque wrench, single-arm, 3/4" drive, 150-800 Nm		001 589 74 21 00
Socket insert 27 mm, 1/2" drive		001 589 65 09 00
Detent (starter motor flange left or right)		116 589 01 40 00
Allen screwdriver with cross-bar handle 6 mm, 440 mm long		116 589 03 07 00
Sleeve for radial sealing ring front		110 589 07 61 00

### Conventional tool

Adapter 3/4" inside to 1/2" outside drive	e.g. Hazet, D-5630 Remscheid Order No. 1058 R1
--	---

### Note

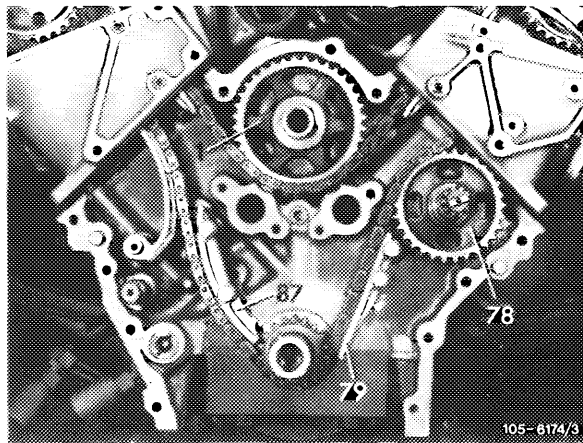
On engine 116 with duplex chain the intermediate sprocket can only be renewed after removal of the left-hand cylinder head.

The bearing bushings for the return sprocket in the crankcase have fallen away as from December 1984 and those in the timing case cover as from March 1985.

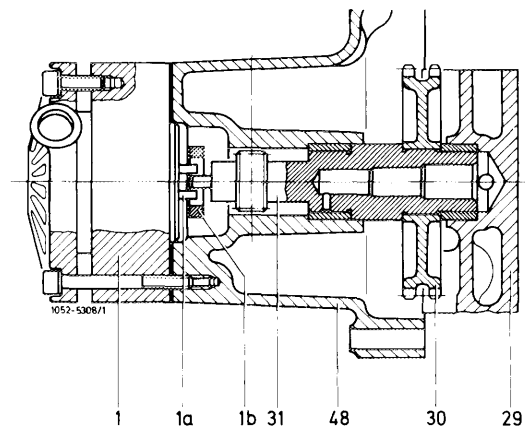
## Removal

---

- 1 Remove timing case cover (01-210).
- 2 Remove slide rail (87).
- 3 Slacken timing chain on intermediate sprocket (78) by turning left-hand camshaft.
- 4 Remove intermediate sprocket (78).
- 5 Remove return sprocket (1).



- 6 If required, pull out bearing bushing in crankcase by means of internal puller.
- 7 Pull out bearing bushing in timing case cover with internal puller.



## Installation

---

- 8 Press bearing bushing into crankcase and timing case cover with lubricating groove at the bottom (arrow).
- 9 Lubricate bearing bushing in crankcase with oil and introduce return sprocket.
- 10 Install intermediate sprocket (05-434).
- 11 For further installation proceed vice versa.

