

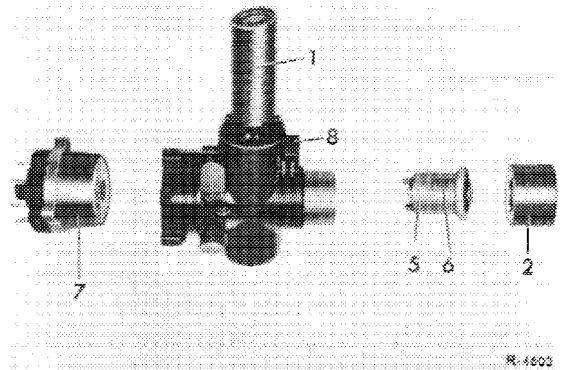
The steering lock comprises the three main components:

- A. Steering lock starter switch (electrical section)
- B. Locking cylinder
- C. Steering lock (mechanical section)

The steering lock starter switch and the locking cylinder can be removed without removing steering lock.

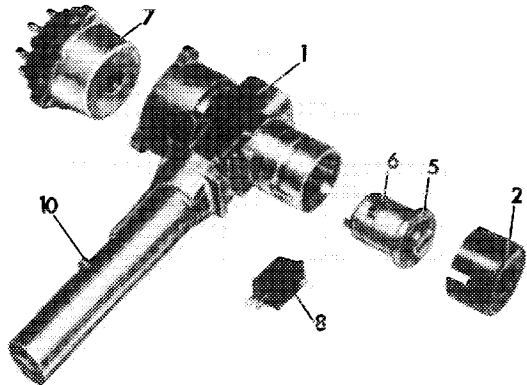
Steering lock 1st version  
(plug-type cap)

- 1 Steering lock
- 2 Cap (chrome-plated)
- 5 Locking cylinder
- 6 Detent
- 7 Steering lock starter switch
- 8 Contact switch (USA version only)



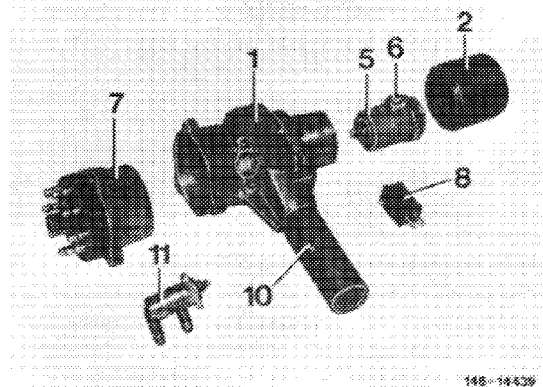
Steering lock 2nd version  
(plug-type cap)

- 1 Steering lock
- 2 Cap (plastic)
- 5 Locking cylinder
- 6 Detent
- 7 Steering lock starter switch
- 8 Contact switch (USA version only)
- 10 Locking pin



Steering lock 3rd version  
(screw-type cap)

- 1 Steering lock
- 2 Cap
- 5 Locking cylinder
- 6 Detent
- 7 Steering lock starter switch
- 8 Contact switch
- 10 Locking pin

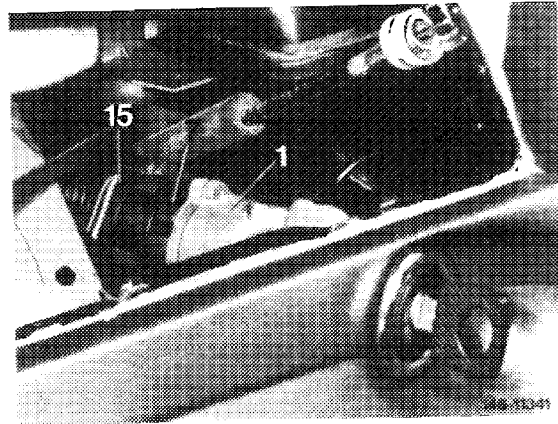


## A. Removal and installation of steering lock starter

### Removal

---

- 1 Remove steering wheel (46-610).
- 2 Remove instrument cluster. For this purpose, pull out instrument cluster as far as possible, loosen tachometer shaft, both electric plug connections and oil pressure line.
- 3 Remove plug connection (15) from steering lock starter switch.
- 4 Unscrew fastening screws for steering lock starter switch from steering lock with a short screw driver and remove steering lock starter switch.

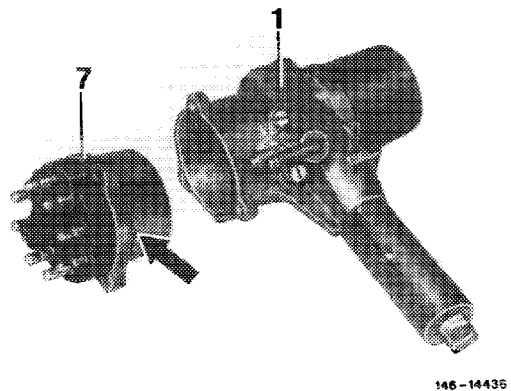


### Installation

---

**Note:** Starting in the middle of 1978 a starter switch with modified start repeat lock is installed. With this starter switch, the period available prior to any restarting, if required, is extended since the ignition key must be pulled back into position "0" prior to restarting (formerly only into position "1").

- 5 Attach starter switch to steering lock and attach plug connections, making sure that the switch with its locating lug (arrow) is inserted into recess of steering lock.
- 6 Install instrument cluster.
- 7 Install steering wheel.
- 8 Check steering lock starter switch for function.



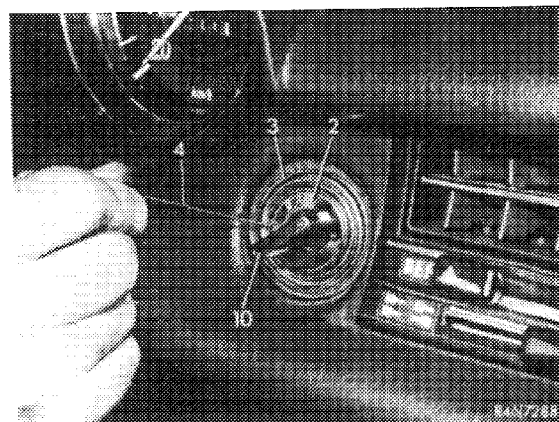
## B. Removal and installation of locking cylinder

### Removal

---

**Steering lock 1st version (plug-type cap chrome-plated).**

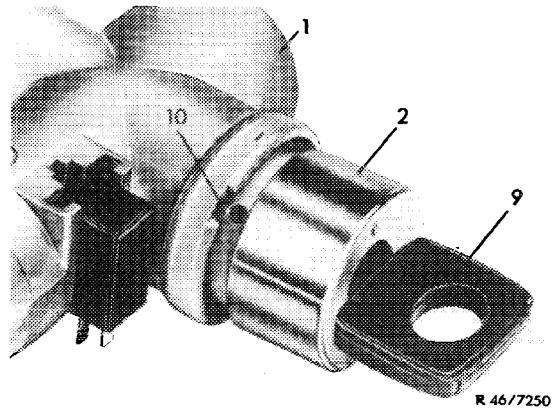
- 1 Turn key to position "1", the so-called assembly or radio position.
- 2 Lift cap (2) up to bottom edge of key. If required, pull cap up to bottom edge of key out of steering lock by means of a pulling hook made of 1 mm steel wire (4). Insert pulling hook between rosette (3) and cap.



3 Turn key to position "0" and remove together with cap.

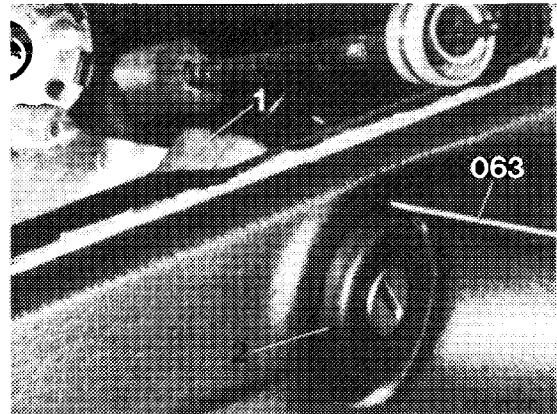
4 Put key back into locking cylinder and turn to position "1" (90° to the right). Push down detent and remove locking cylinder.

**Note:** The detent is at the right and can be pushed down only in position "1".



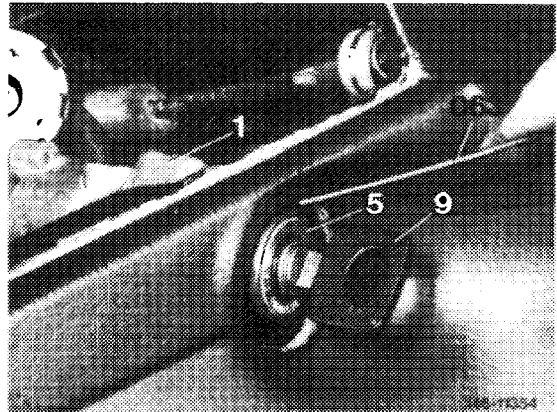
#### Steering lock 2nd version, with plastic cap

5 Pull off key and pull cap from steering lock by means of a 1 mm steel wire angled off at its end by approx. 1.5 mm.



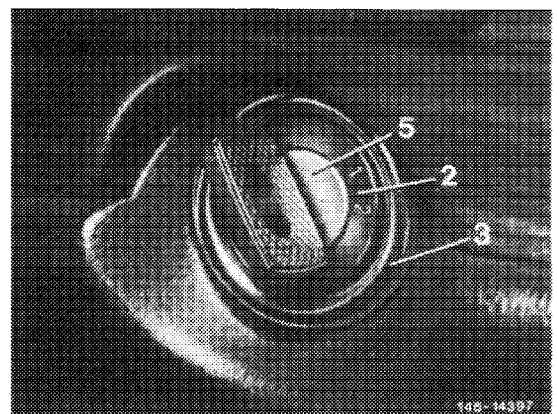
6 Put key back into locking cylinder and turn to position "1" (90° to the right), push detent and remove locking cylinder.

**Note:** The detent is at the right and can be pushed only in position "1".

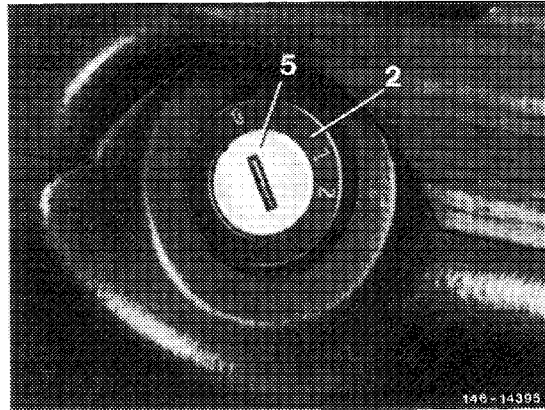


#### Steering lock 3rd version (screw-type cap)

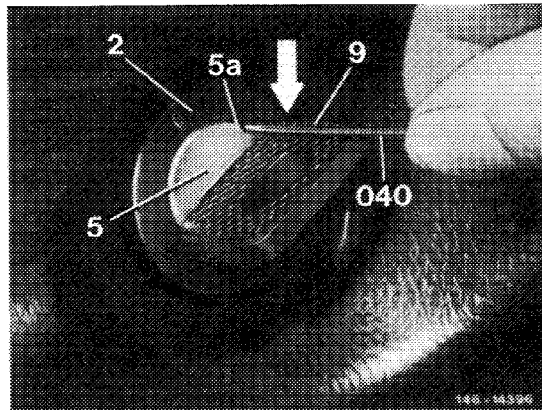
7 Remove rosette (3) from instrument panel.



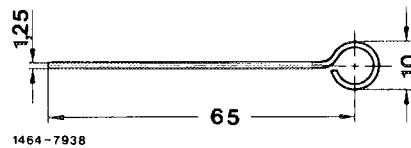
8 Turn locking cylinder into position "1" by means of key.



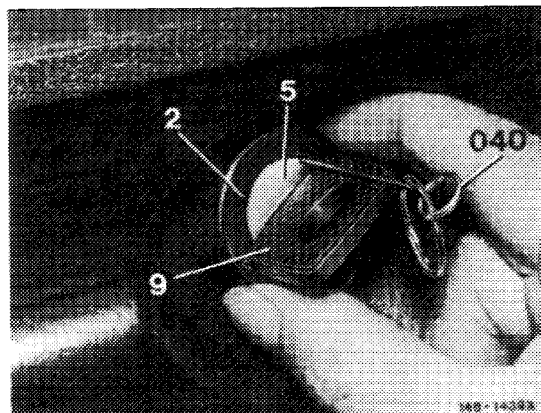
9 Introduce releasing wire (040) through bore in locking cylinder. Then insert releasing wire and unlock detent of locking cylinder by overcoming the resilient resistance.



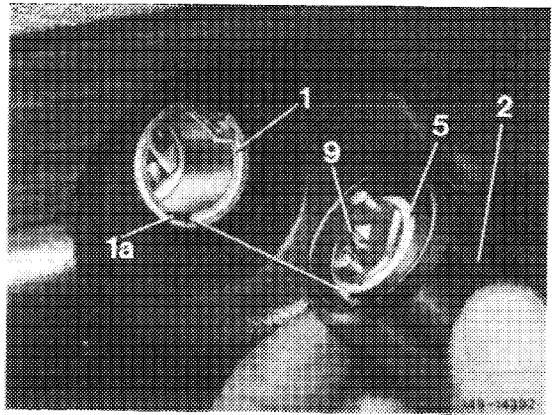
**Note:** The releasing wire is self-made from 1.25 mm steel wire according to adjacent drawing.



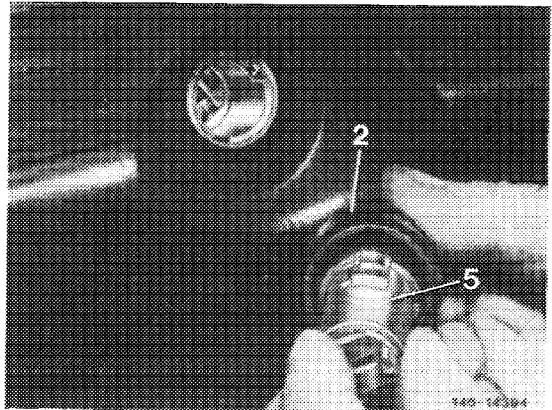
10 Unscrew cap from steering lock with detent released.



11 Remove cap including locking cylinder from steering lock. Pull releasing wire out of locking cylinder. Turn key to position "0" and pull out.



12 Remove locking cylinder from cap.



### Installation

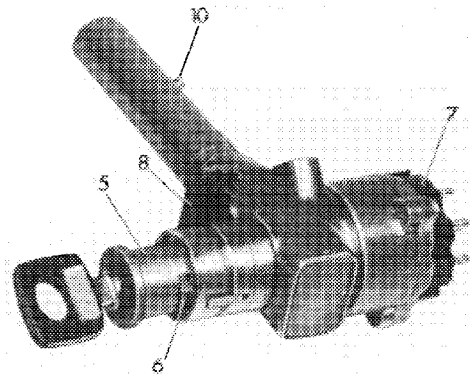
#### Steering lock 1st version (plug-type cap, chrome-plated)

13 Turn locking cylinder to position "1" and insert into steering lock, making sure that detent (6) engages.

14 Turn key to position "0" and pull out.

15 Mount cap on steering lock, insert key and turn to position "1". Push cap completely down.

16 Check locking cylinder for function.



166-8645

### Steering lock 2nd version (plug-type plastic cap)

17 Turn locking cylinder to position "1" and insert in steering lock, making sure that detent engages.

18 Turn key to "0" and pull out.

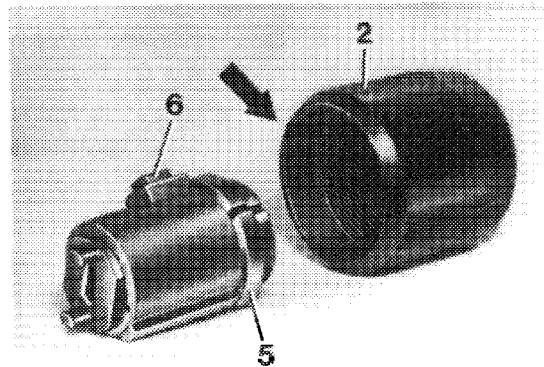
19 Mount cap in correct position on steering lock, pay attention to recesses on cap.

Check locking cylinder for function.

### Steering lock 3rd version (screw-type cap)

20 Slightly coat threads in cap or threads of steering lock with Anticorit PRC II or with antifriction bearing grease.

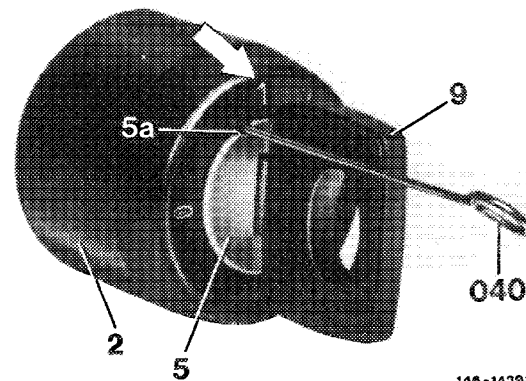
21 Insert locking cylinder into cap in such a manner that the detent enters into groove of cap (arrow).



146-14390

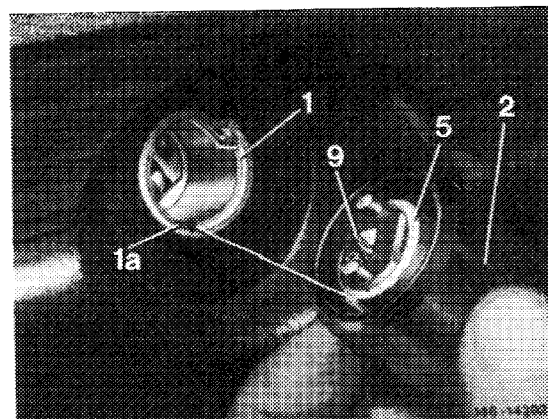
22 Insert key into locking cylinder and turn to position "1".

23 Unlock detent with releasing wire (040) through bore in locking cylinder.

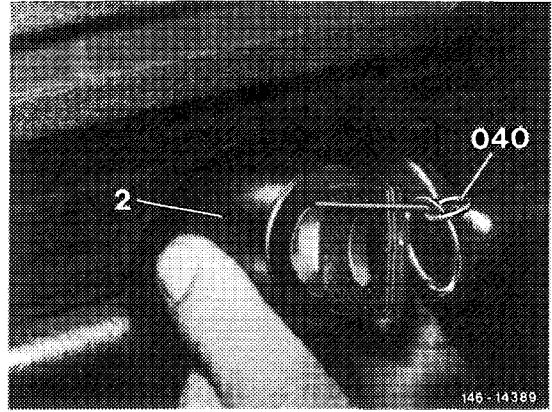


146-14391

24 Position cap including locking cylinder on steering lock in such a manner that the elevation on locking cylinder enters groove of steering lock.

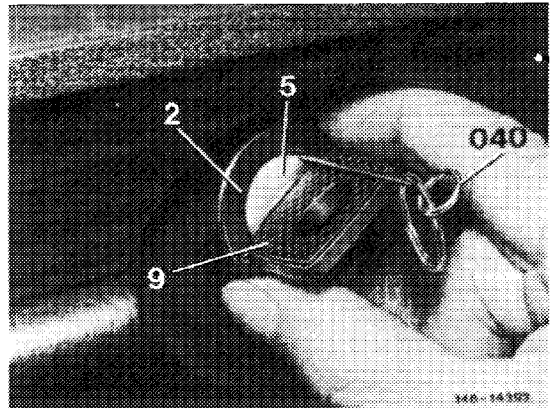


25 Screw cap completely on steering lock.



26 Pull releasing wire out of locking cylinder. Turn cap to the left (max. 1 turn) until detent of locking cylinder enters groove of cap.

27 Check locking cylinder for function.



### C. Completely remove and install steering lock

**Note:** If a defective locking cylinder cannot be turned to position "1", the locking pin cannot be pushed in. For removal of steering lock, punch-mark locking pin and remove by drilling with an angle drilling machine. Make sure that the jacket tube is not damaged. To remove steering lock from jacket tube and instrument panel, loosen jacket tube on cross member and on cover plate.

## Removal

- 1 Remove steering wheel (46–610).
- 2 Remove instrument cluster by pulling out instrument cluster as far as possible, then loosen tachometer shaft, both electric plug connections and oil pressure line.
- 3 Take rosette (3) out of instrument panel by unbending holding plate slightly.
- 4 Remove cap of steering lock.

**Note:** The cap must be removed so that the steering lock can be turned during subsequent removing procedure.

### Steering lock 1st version (plug-type cap chrome-plated).

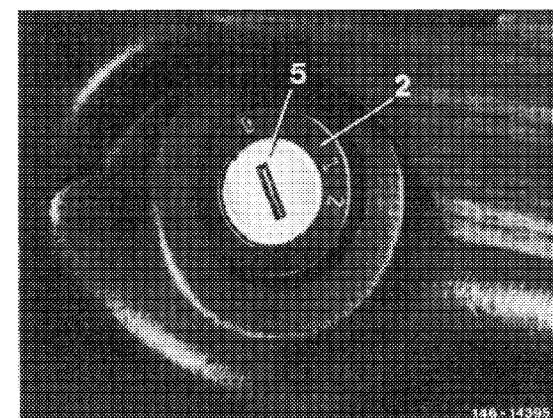
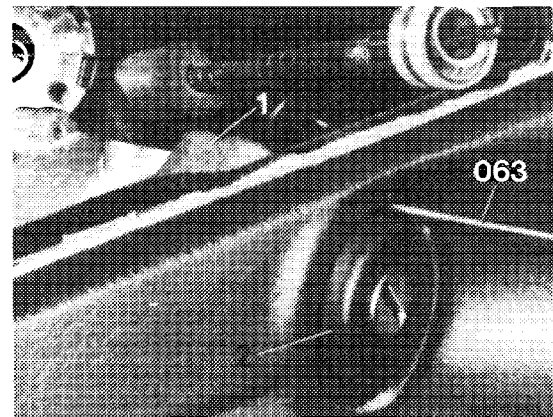
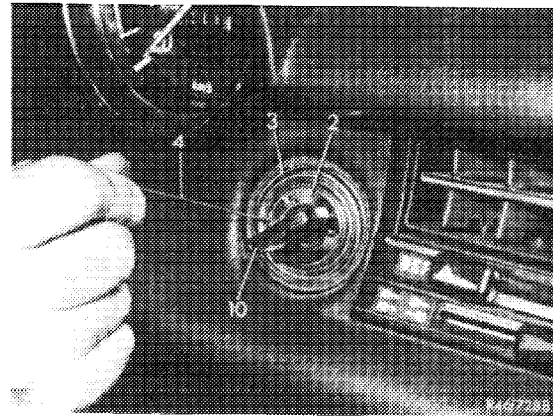
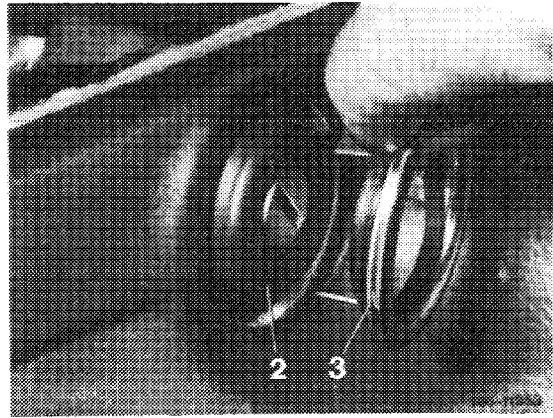
- 5 Turn key into position "1", the so-called assembly or radio position.
- 6 Lift cap (2) up to bottom edge of key. If required, pull cap out of steering lock up to bottom edge of key by means of a pulling hook made of steel wire (4) 1 mm thick. Insert pulling hook between rosette (3) and cap.
- 7 Turn key to position "0" and remove together with cap.

### Steering lock 2nd version, cap made of plastics

- 8 Pull off key and pull cap from steering lock by means of a steel wire 1 mm thick, offset by approx. 1.5 mm at end.

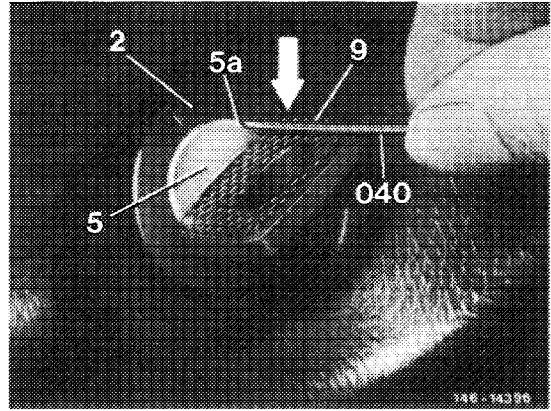
### Steering lock 3rd version (screw-type cap)

- 9 Turn locking cylinder into position "1" with key.

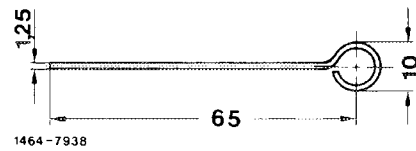




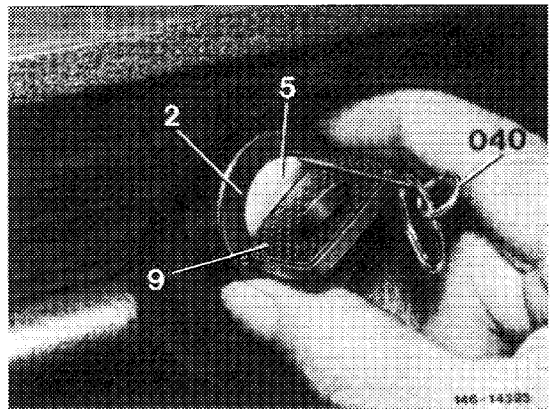
10 Insert releasing wire (040) via bore in locking cylinder. Then push releasing wire inwards and unlock detent of locking cylinder by overcoming resilient resistance.



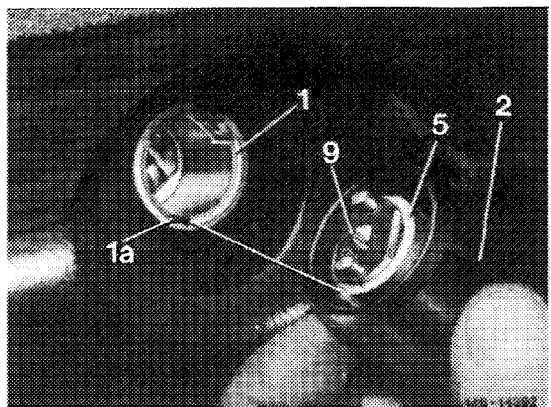
**Note:** The releasing wire is self-made of steel wire 1.25 mm thick according to adjacent drawing.



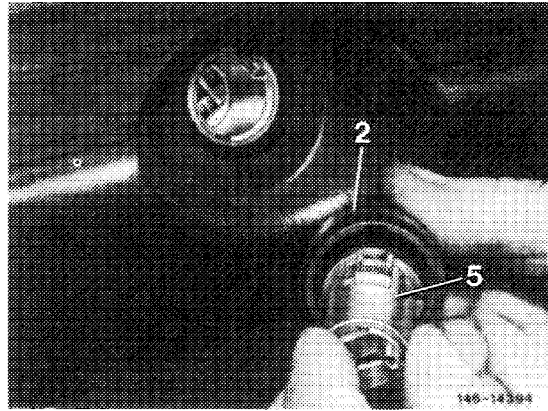
11 Unscrew cap from steering lock with detent unlocked.



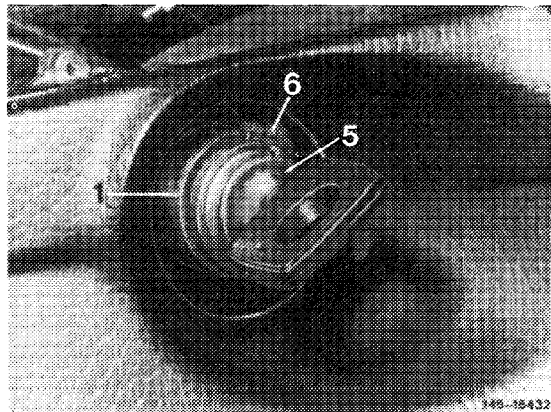
12 Remove cap including locking cylinder from steering lock. Pull release wire out of locking cylinder. Turn key to position "0" and pull off.



13 Remove locking cylinder from cap.



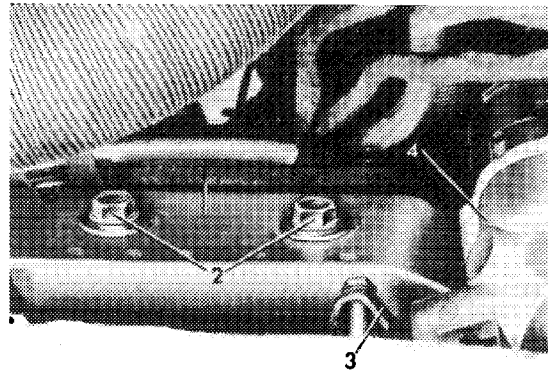
14 Turn locking cylinder into position "1", push-in detent (6) and insert locking cylinder into steering lock without cap.



15 Loosen clamping screw on fastening clip (3).

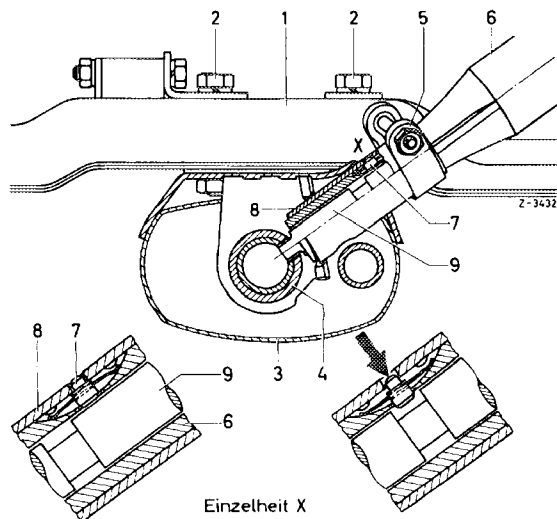
16 Remove plug connection from steering lock starter switch.

17 Pull plug connection from contact switch for warning buzzer.



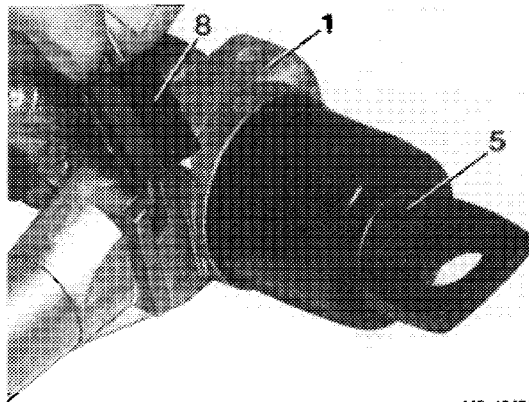
18 Turn locking cylinder into position "1". Push-in locking pin (7) for steering lock (6) by means of a punch approx. 3 mm thick (refer to arrow). Slightly turn steering lock, turn ignition key into position "0" and pull off. Remove steering lock from holder (8) of jacket tube and instrument panel.

**Attention!**  
The locking pin can be pushed-in only in position "1" of steering lock and provides additional protection against burglars.



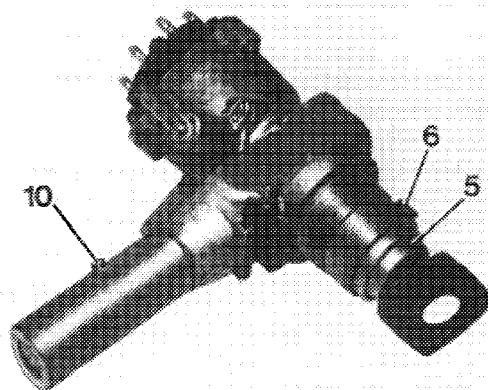
19 Turn locking cylinder into position "1" and remove contact switch (8) for warning buzzer from steering lock.

**Note:** The contact switch for warning buzzer may be removed and installed only in position "1" of so-called assembly or radio position with steering lock removed.



146-18474

20 On steering lock 3rd version, push detent (6) into position "1" and remove locking cylinder (5) from steering lock.



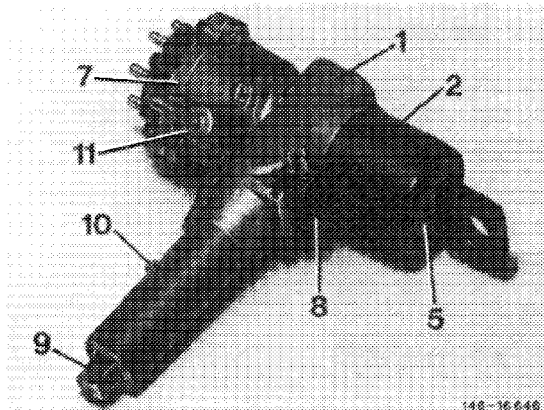
146-18475

### Installation

**Note:** When steering locks of 1st and 2nd version are used up, only the steering lock 3rd version is available as a spare part (with screw-type cap).

If instead of a steering lock of the 1st or the 2nd version a steering lock of the 3rd version is installed, the cutout in the instrument panel for cap must be enlarged, by cutting some material from panelling. In addition, install rosette of larger diameter.

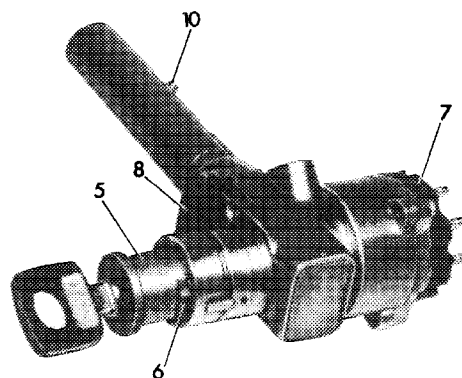
21 Insert contact switch for warning buzzer into steering lock.



146-18448

### Steering lock 1st and 2nd version (plug-type cap, chrome-plated or made of plastics)

22 In position "1", push locking pin inwards. Pull off ignition key. Insert steering lock into holder of jacket tube while pushing locking pin. Turn steering lock until locking pin enters bore of holder.

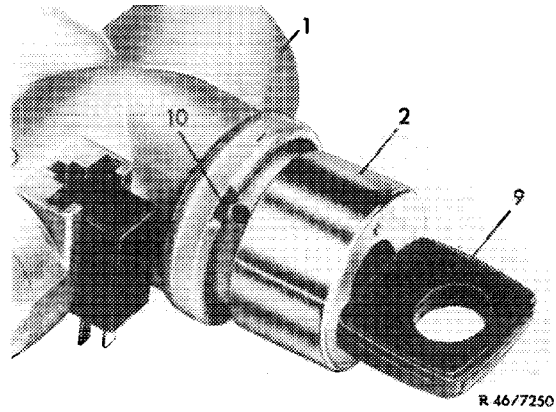


146-8645

23 On 1st version, plug cap on steering lock, insert key, turn to position "1". Push cap completely down.

24 On 2nd version, plug cap in correct position on steering lock, pay attention to cutouts on cap.

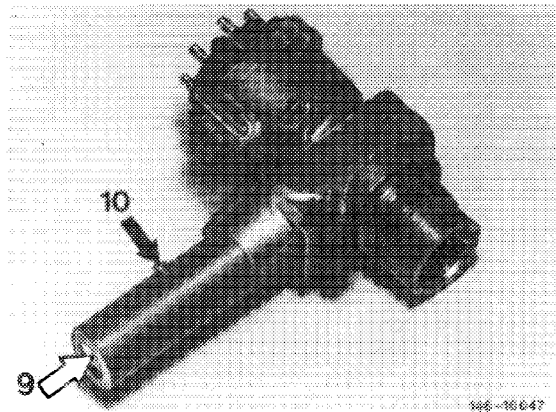
25 On both versions, check locking cylinder for function.



### Steering lock 3rd version (screw-type cap)

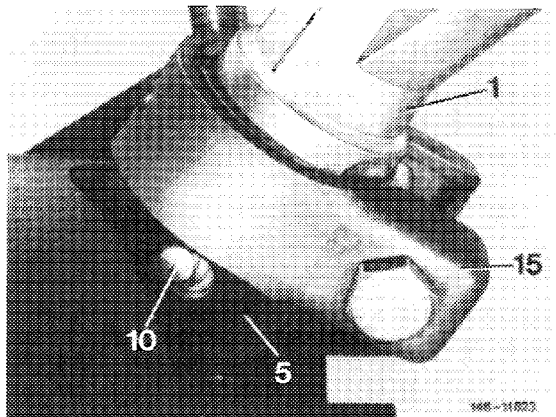
26 Push striker pin (9) into steering lock until locking pin (10) is no longer locked.

27 Push locking pin into steering lock and insert steering lock into holder of jacket tube.

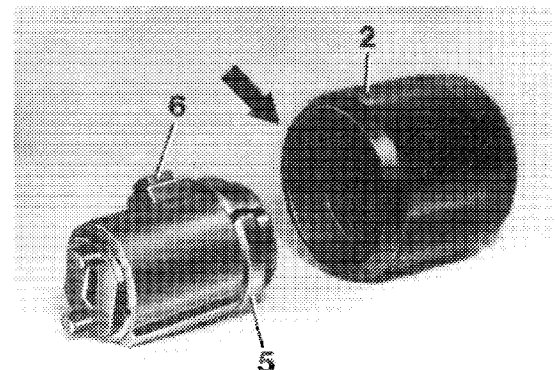


28 Turn steering lock until locking pin (10) engages in bore of holder.

29 Slightly coat threads in cap or threads of steering lock with Anticorit PRC II or anti-friction bearing grease.

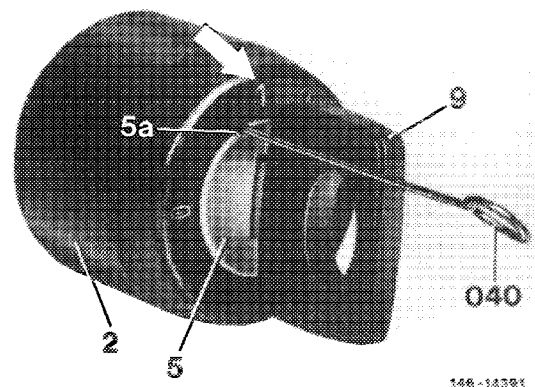


30 Insert locking cylinder into cap in such a manner that the detent enters groove of cap (arrow).

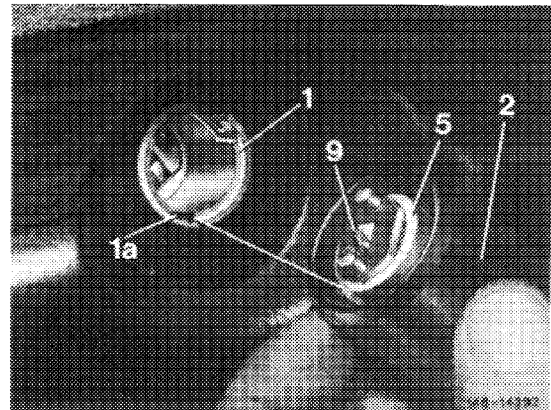


31 Insert key into locking cylinder and turn to position "1".

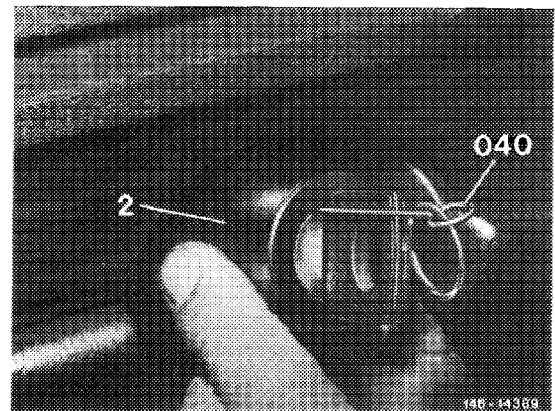
32 Unlock detent with releasing wire (040) via bore in locking cylinder.



33 Position cap including locking cylinder against steering lock in such a manner that the rise on locking cylinder enters groove of steering lock.

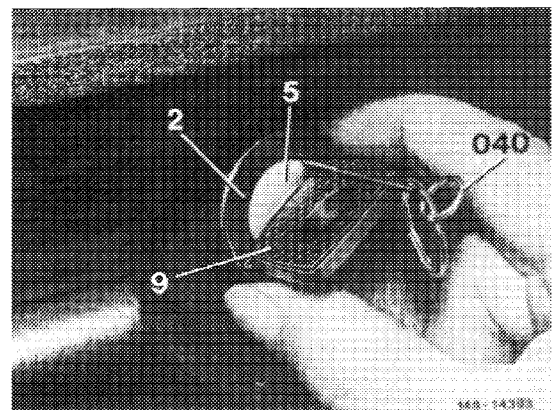


34 Screw cap completely on steering lock.

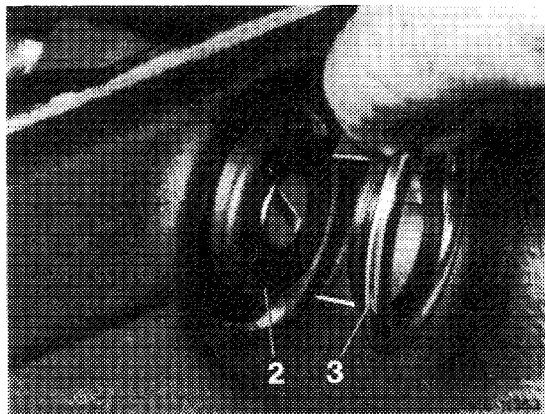


35 Pull releasing wire out of locking cylinder. Turn cap to the left to the extent (max. 1 turn) until detent of locking cylinder enters groove of cap.

36 Check locking cylinder for function.



37 Insert rosette into instrument panel.



38 Connect plug connection on contact switch for warning buzzer.

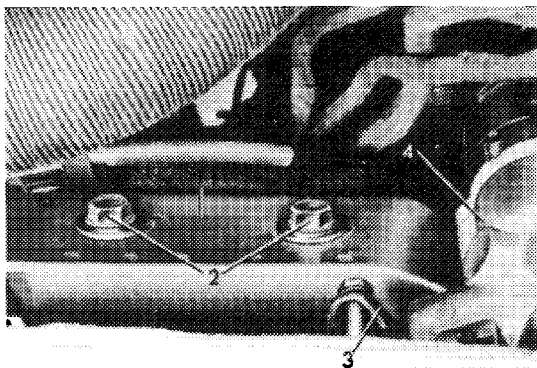
39 Tighten clamping screw of fastening clip.

40 Mount plug connection on steering lock starter switch.

41 Install instrument cluster.

42 Install steering wheel.

43 Check steering lock for function.



R46-5642