

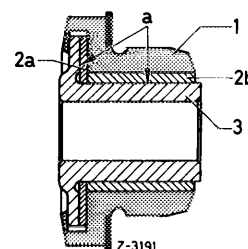
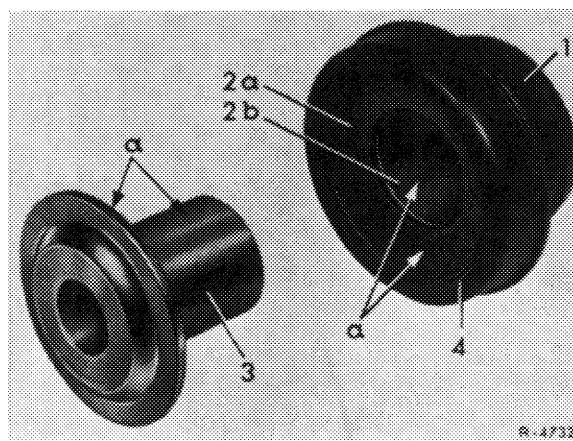
Rubber Slide Bearings

Rubber jacket OD	Radial play between outer bushing (2b) and inner bushing (3) in pressed-in condition	Length	Lubrication
34–0.2	free of play	28.5 ± 0.1	maintenance-free ^{1) 2)}

¹⁾ The outer bushing (2b) and the washer (2a) are provided with DU dry bearing material and vulcanized inside rubber jacket (1).
²⁾ Provide new rubber slide bearings prior to installation on slide surfaces with special grease "Calypsol AE" or "Kenlube M 62".

Checkup

- 1 Pull out inner bushing of rubber slide bearing.
- 2 When judging a rubber slide bearing observe the following:
 - a) The bearing collar should not be damaged and should still be rigidly connected to the cylindrical portion: the rubber jacket (1) should have no cracks on transition to flange.
 - b) The grey DU running surface of the outer bushing and washer (2a) at face of flange may not be worn.
 - c) The inner bushing (3) of the bearing should not show any score marks on slide surfaces "a". A blueish discoloration inside on collar is of no significance.
 - d) The sealing lip for the inner bushing (3) on rubber jacket should not be damaged.



Rubber slide bearing (DU bearing) for upper control arm

- | | |
|------------------|------------------|
| a Slide surfaces | 2b Outer bushing |
| 1 Rubber jacket | 3 Inner bushing |
| 2a Washer | 4 Sealing lip |

Repairs

- 3 Knock or force rubber slide bearing out of control arm.

Caution!

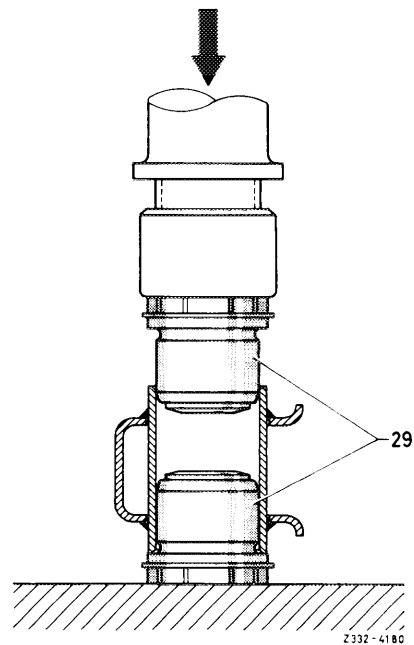
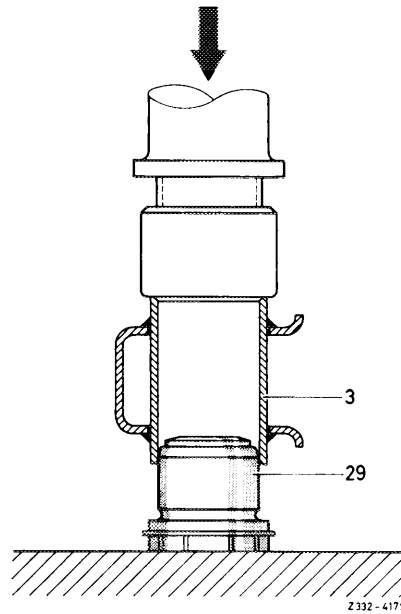
Prior to pressing in the rubber slide bearings, clean bearing pipes inside well and rub with emery cloth, if required. Coat rubber jacket of slide bearings as well as the pertinent bearing tube inside with slide fluid "Naphtalen" (MB Part No. 000 989 04 60).

Never use oil or grease!

4 Press rubber slide bearing into upper control arm, making sure that the insertion proceeds vertically without canting.

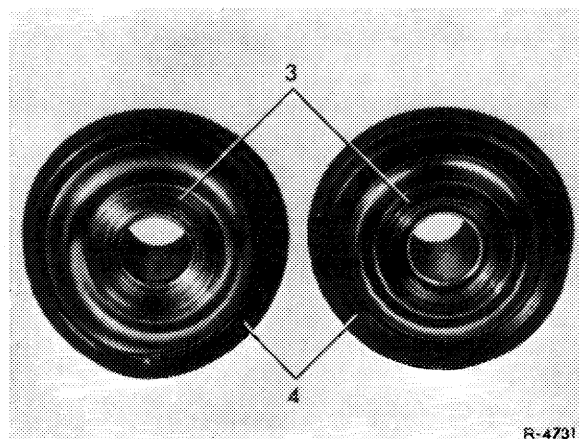
Press-in each bearing individually, not both together.

5 Provide slide surfaces "a" of rubber slide bearings with specified lubricant. For this purpose, always pull out inner bushing.



- 3 Control arm
- 29 Rubber slide bearing

6 Watch out for correct seat of sealing lip (4) after inserting inner bushing (3).



- 3 Inner bushings
 - 4 Sealing lips
- Arrangement left: wrong
Arrangement right: right