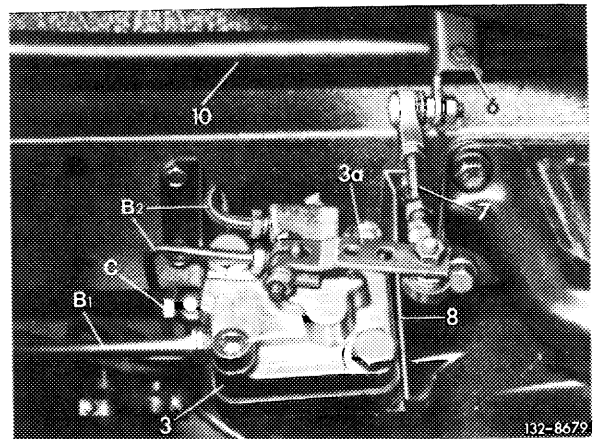


32--325 Removal and installation of wheel carrier support on torsion bar (Diagonal swing axle with starting torque compensation)

Tightening torques		Nm	(kpm)
Necked-down bolt of wheel carrier support on torsion bar		80	(8)
Hex bolts for fastening link to torsion bar	M 6 (1st version)	10	(1)
	M 8 (2nd version)	25	(2.5)

Removal

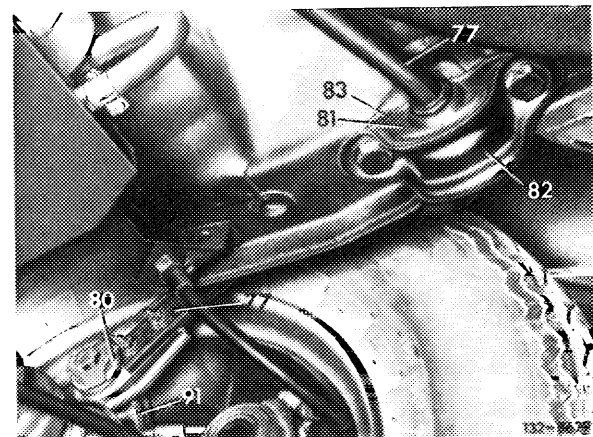
1 On vehicles with level control, disconnect connecting rod (7) for level control from lever (3a).



2 Unscrew necked-down bolts of wheel carrier support at left and right.

3 Lift vehicle and remove both rear wheels.

4 Loosen both hex bolts of link at left and right on torsion bar and remove both links.



- 77 Torsion bar
- 80 Wheel carrier support on torsion bar
- 81 Rubber mount
- 82 Lower holding bracket
- 83 Upper holding bracket
- 91 Wheel carrier

Installation

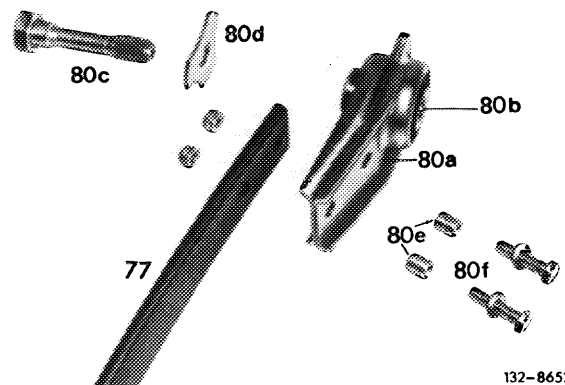
5 Introduce clamping sleeves into new link with conical side toward torsion bar.

Attention!

Clamping sleeve should be flush with link.

6 Mount link at left and right to torsion bar by means of hex bolts.

- 77 Torsion bar
- 80a Link
- 80b Rubber mount
- 80c Necked-down screw
- 80d Washer
- 80e Clamping sleeves
- 80f Hex bolts with washers and self-locking nuts



7 Check threads for necked-down screws in wheel carrier for easy operation and refinish, if required.

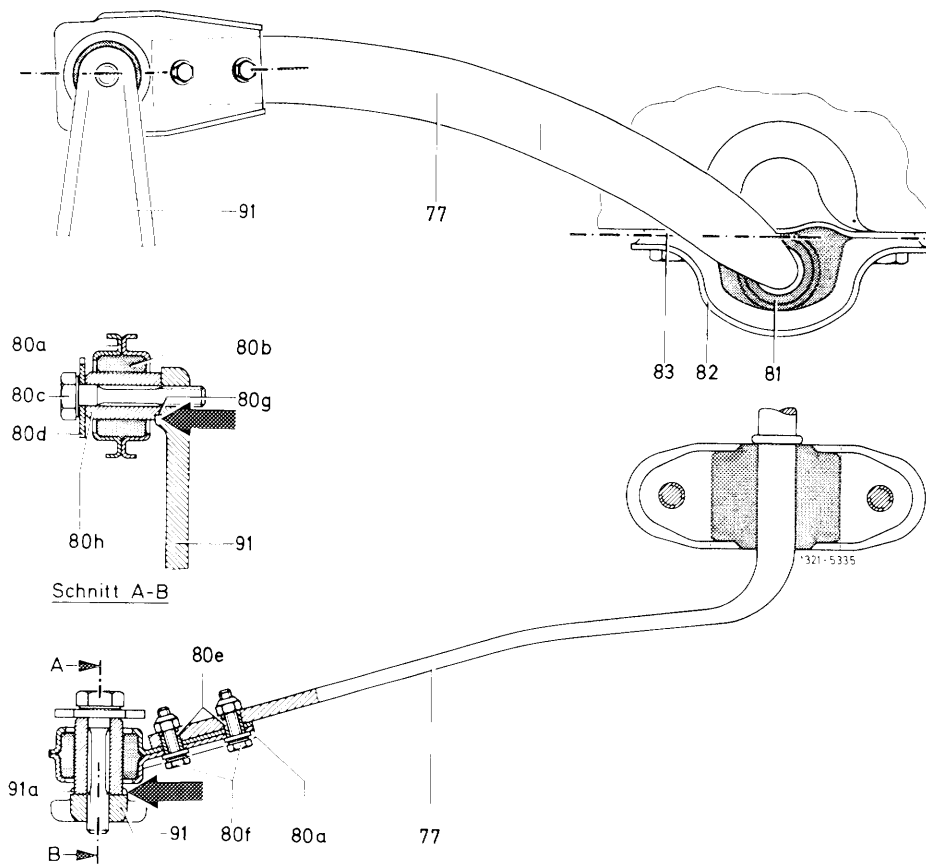
8 Mount both rear wheels and lower vehicle end -- if required by loading trunk -- until the surface of the inner bushing of rubber mount (80g) in link of torsion bar is in alignment with surface of wheel carrier (91a).

Note: On vehicles without surface on wheel carrier (starting approx. January 1975) tighten necked-down screw of wheel carrier support on torsion bar only when the vehicle is on its wheels ready for driving.

9 Connect torsion bar support to wheel carrier.

Attention!

The contact surfaces must be absolutely clean and free of grease. When tightening, pay attention to correct seat of inner bushing of rubber bearing on wheel carrier.



- | | |
|--|---|
| 77 Torsion bar | 80h Inner bushing of rubber bearing |
| 80a Link | 81 Rubber bearing for torsion bar bearing on frame floor |
| 80b Rubber mount | 82 Lower holding bracket |
| 80c Necked-down screw | 83 Upper holding bracket |
| 80d Washer | 91 Wheel carrier |
| 80e Clamping sleeves | 91a Surface on wheel carrier (on vehicles up to approx. December 1974 only) |
| 80f Hex bolts with washers and self-locking nuts | |
| 80g Surface on inner bushing of rubber bearing | |

10 Additionally on vehicles with level control:

a) Attach connecting rod to lever of level controller.

b) Check vehicle level and correct, if required (40--310).