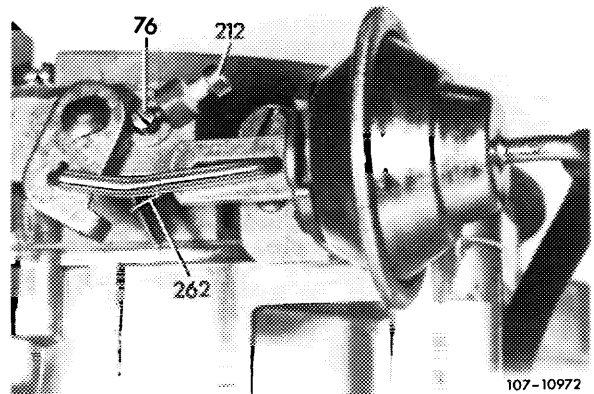


### Removal

---

- 1 Remove air filter.
- 2 Unscrew clamping screw (212).
- 3 Pull out adjusting pin (76) while removing restoring spring (262).



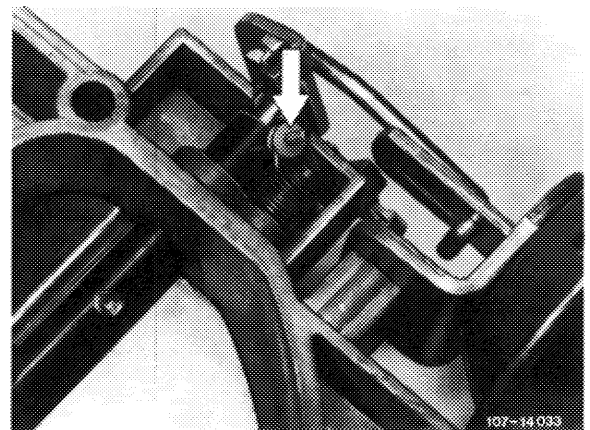
### Installation

---

- 4 Install new restoring spring, if required. For this purpose, move restoring spring into installation position. Slip in adjusting pin (76) up to stop while rotating adjusting pin so that the restoring spring can engage in slot of driver.
- 5 Correct air valve adjustment (07.2–170).

**Note:** When renewing restoring spring, install restoring spring with slide block (arrow) only. This will improve easy operation and breaking of spring will be prevented.

Restoring spring: part no. 000 071 64 16  
Slide block: part no. 000 071 03 50



Simultaneously install adjusting pin (76) with knurled contact surface for locking screw (212) (07.2–175). This will prevent any automatic self-adjustment of adjusting pin and bypass faults from stage I to stage II.

