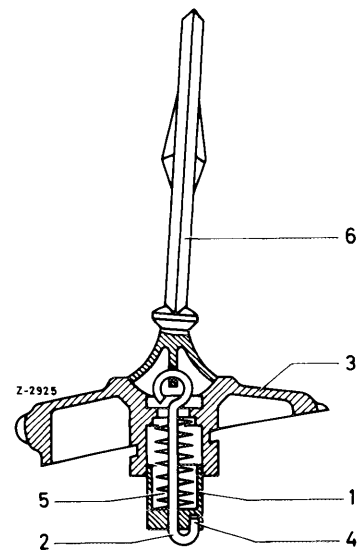


### Disassembly

---

- 1 Clamp bushing (1) horizontally into vice.
- 2 Push rosette (3) and star (6) into bushing (1).
- a) until draw hook disengages and can be turned by 90°.
- b) on version with cross bolt:  
until bolt drops out of draw hook or can be pulled out.



- |             |                      |
|-------------|----------------------|
| 1 Bushing   | 4 Locking hole       |
| 2 Draw hook | 5 Compression spring |
| 3 Rosette   | 6 Star               |

### Assembly

---

- 3 Clamp bushing (1) horizontally into a vice with open end in outward direction.
- 4 Insert compression spring (5) into bushing (1).
- 5 Attach draw hook (2) to leg of star, lead through rosette (3) and slip through bushing (1) against spring pressure until the U-shaped end can be connected to locking hole (4) or bolt can be fitted.