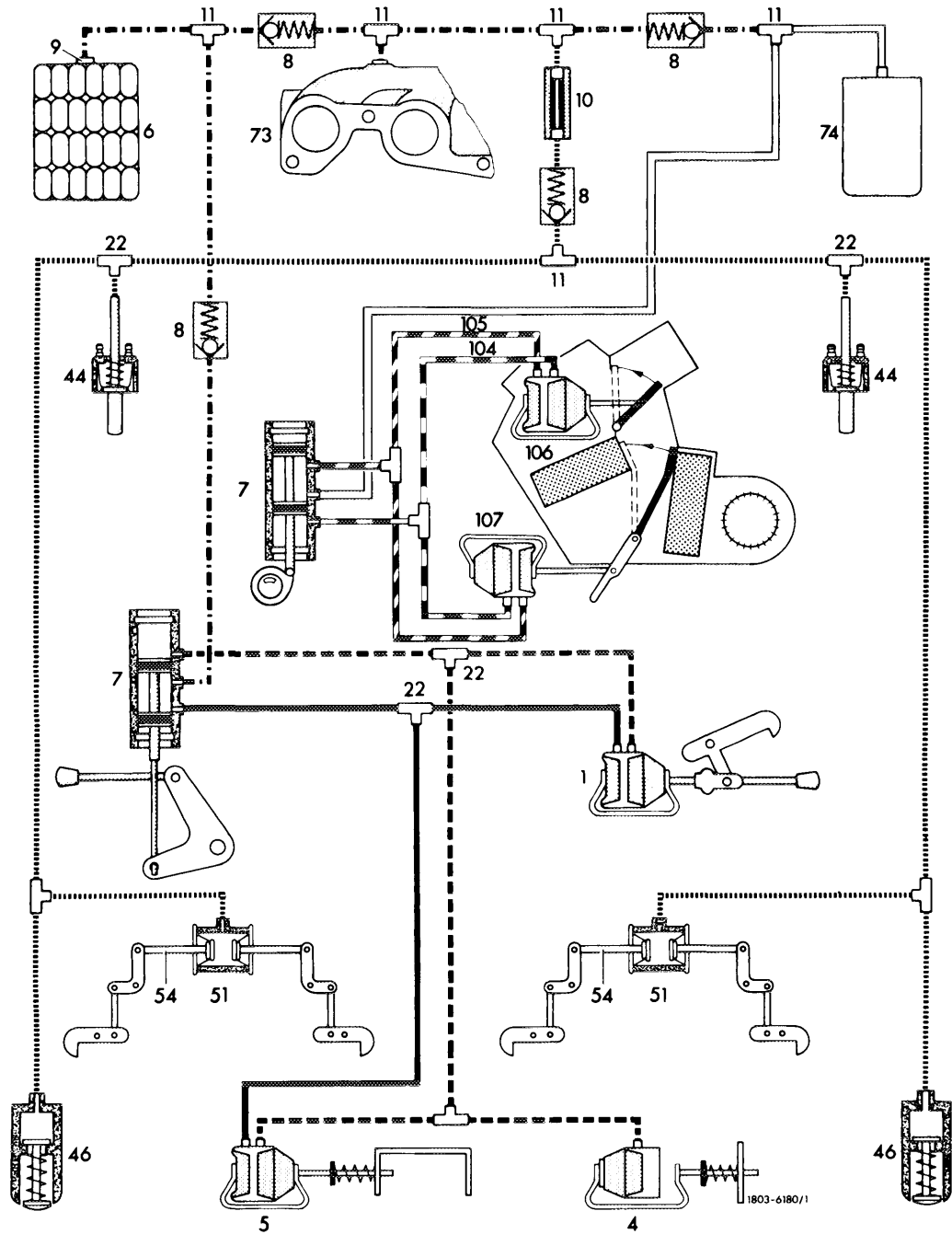


80-902 Functional diagram central and backrest interlock with air-conditioning system

Model 114.02/07



- Locking line
- - - - - Unlocking line
- · - · - Suction line
- ==== Suction line (air-conditioner)
- Control line (Cooling off)
- Control line (Cooling on)
- Control line

- | | |
|--|--|
| 1 Vacuum element (driver's door) | 44 Door contact vacuum switch |
| 4 Vacuum element (flap for tank filler neck) | 46 Vacuum switch (rear compartment) |
| 5 Vacuum element (trunk lid) | 51 Vacuum element (seat) |
| 6 Vacuum supply tank | 54 Actuating rod |
| 7 Vacuum switch | 73 Intake pipe |
| 8 Check valve | 74 Vacuum supply tank (air-conditioner) |
| 9 Seal | 104 Control line (Cooling off) |
| 10 Choke | 105 Control line (Cooling on) |
| 11 Distributor | 106 Vacuum element right (air-conditioner) |
| 22 Distributor | 107 Vacuum element left (air-conditioner) |