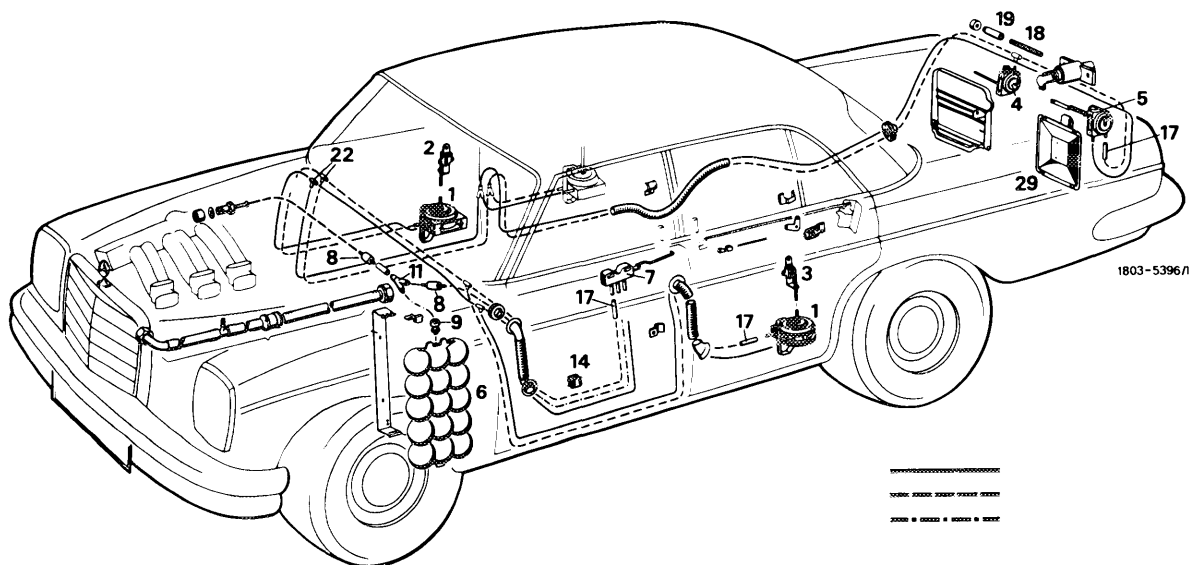
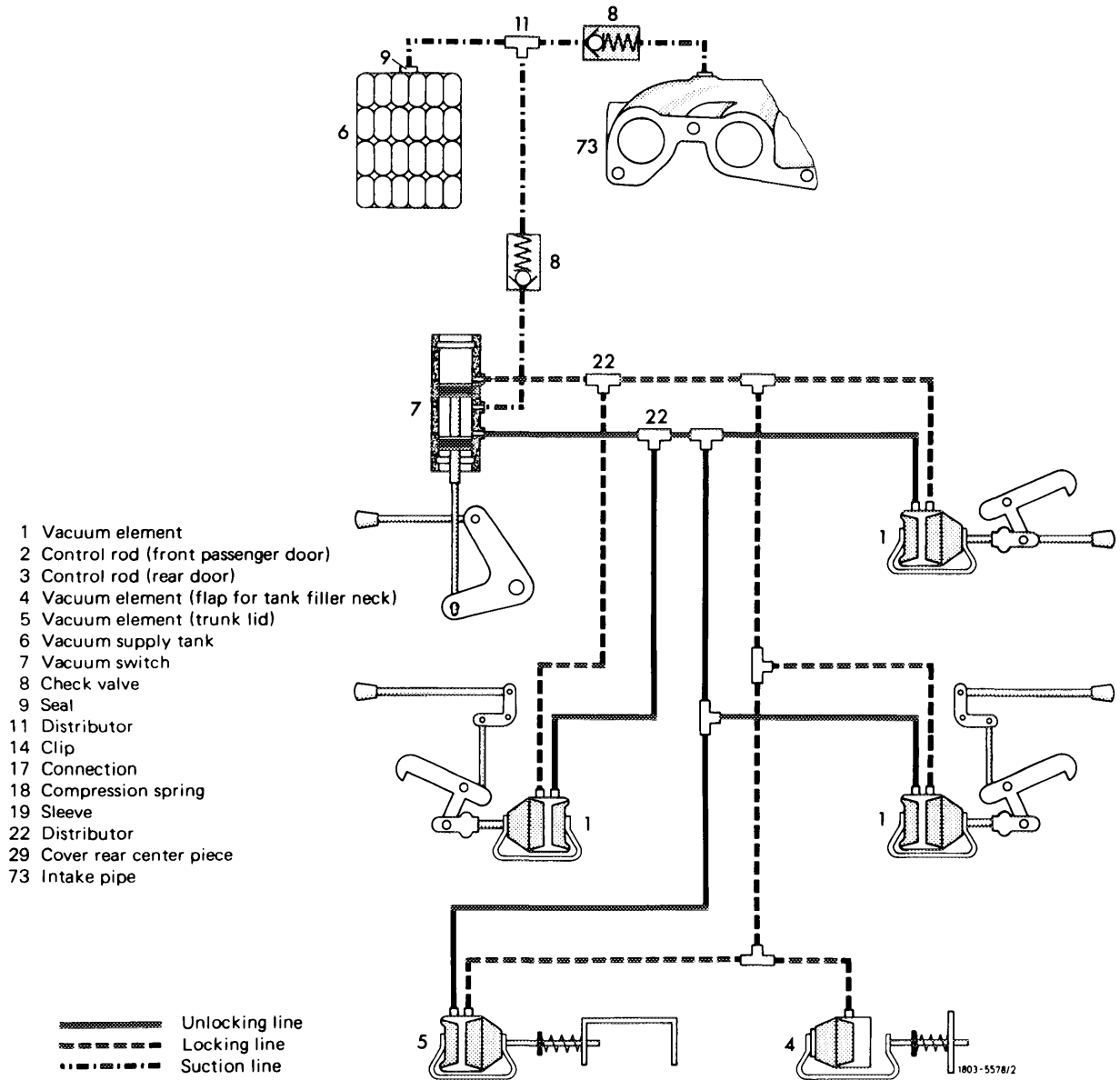
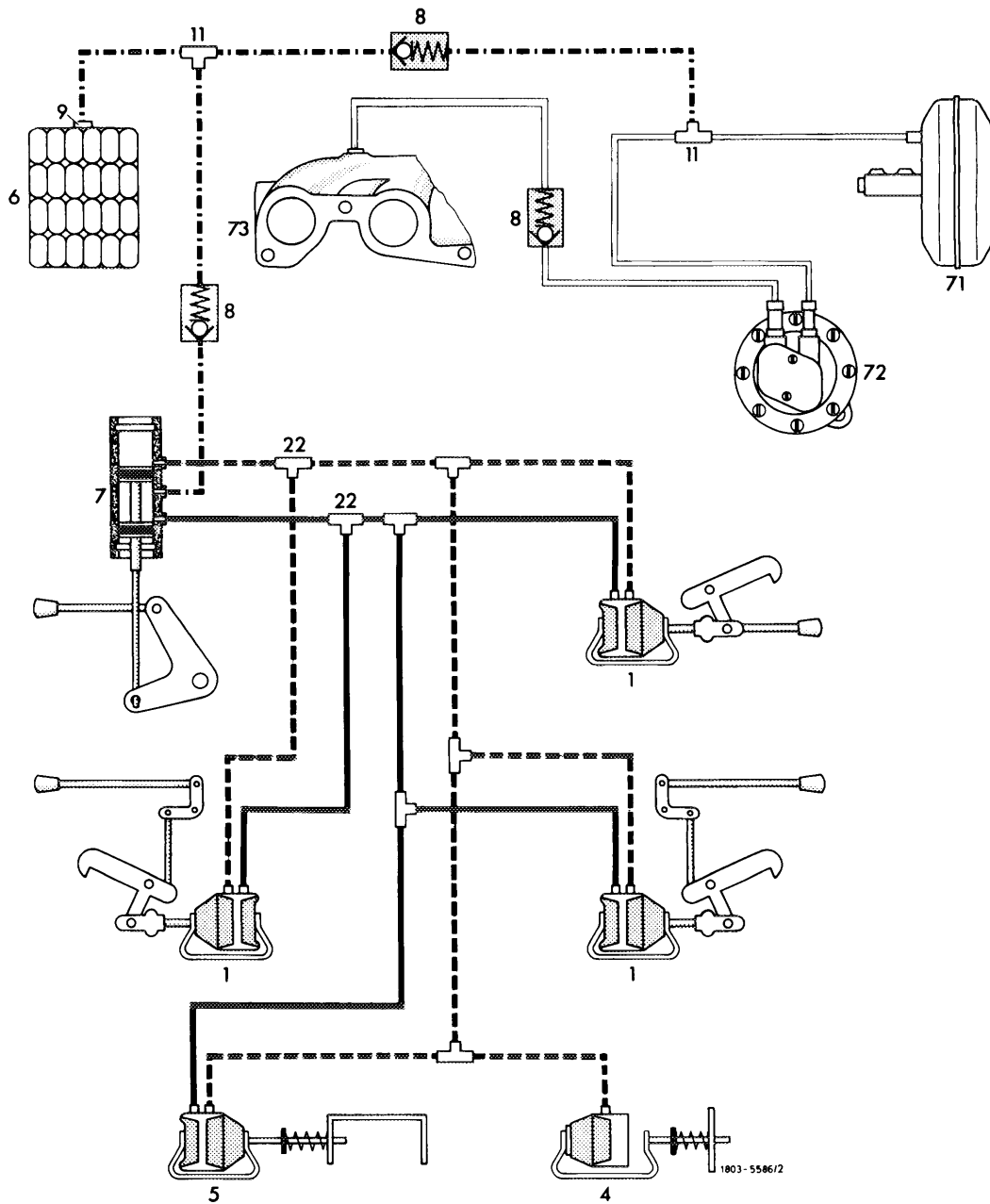


80-900 Functional diagram central interlock

Model 114.01/06, 115.0





- Unlocking line
- - - - Locking line
- · · · · Suction line (central interlock)
- ==== Intake line

- |  |                |
|--|----------------|
| 1 Vacuum element (driver's and rear doors)   | 9 Seal         |
| 4 Vacuum element (flap for tank filler neck) | 11 Distributor |
| 5 Vacuum element (trunk lid)                 | 22 Distributor |
| 6 Vacuum supply tank                         | 71 Brake unit  |
| 7 Vacuum switch                              | 72 Vacuum pump |
| 8 Check valve                                | 73 Intake pipe |