

68–535 Removal and installation of ornamental trim on rear pillar

Special tool

Ornamental molding installer, adjustable

115 589 25 61 00

Removal

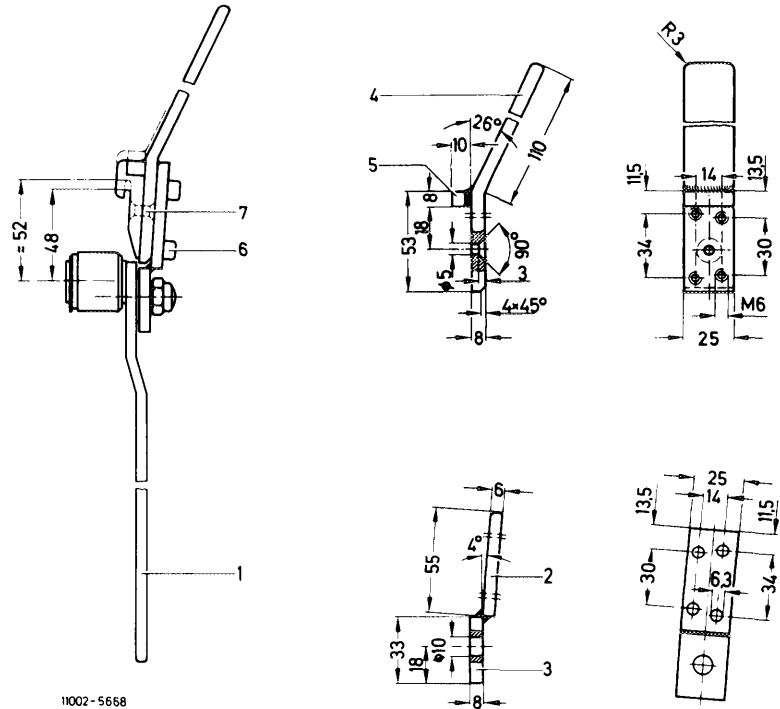
- 1 Remove cover for weather strip.
- 2 Force-off ornamental molding on rear pillar toward the rear by means of a plastic wedge.

Installation

3 Attach ornamental molding for rear pillar, observe connection toward weather strip.

4 Fit ornamental molding installer (adjustable) from above over ornamental molding and press on roof channel starting from below.

5 Install cover for weather strip.



Conversion of ornamental molding installer (115 589 19 61 00) into adjustable version (115 589 25 61 00)

- | | |
|-----------|-------------------------------------|
| 1 Lever | 5 Stop |
| 2 Bracket | 6 Cheesehead screw M 6 x 15 DIN 912 |
| 3 Eye | 7 Flush rivet 5 x 20 DIN 661 |
| 4 Lever | |

Note: If available, the former ornamental molding installer, Part No. 115 589 19 61 00 can be converted into "ornamental molding installer, adjustable", Part-No. 115 589 25 61 00. For this purpose, part 2 is made new and welded to part 3, while four tapped holes M 6 are drilled into part 4. Depending on adjustment, the "ornamental molding installer, adjustable" is used for the narrow or the wide ornamental molding on rear pillar.