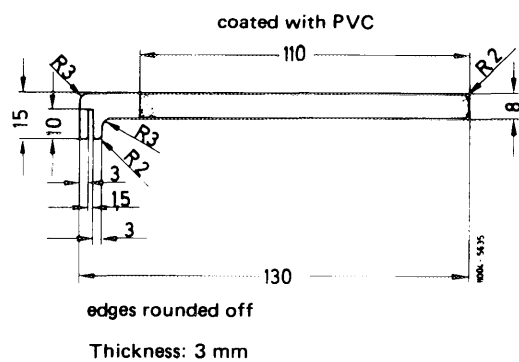


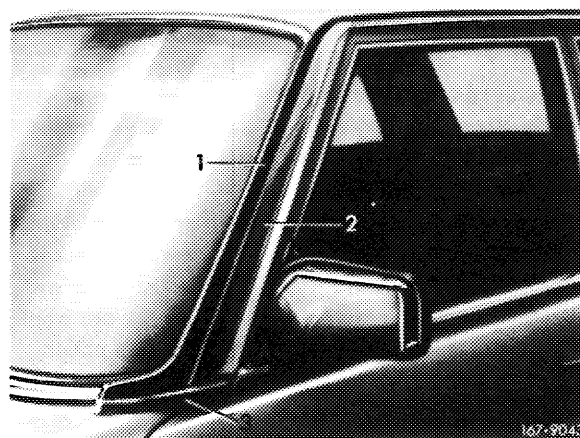
**Removal**

- 1 Straighten tabs at inside of outer ornamental molding (2) with straightening fork and force outer ornamental molding out by means of a plastic wedge.

Straightening fork (drawing for self-made fork)  
 Material: flat steel, bright-drawn



- 2 Unscrew bottom ornamental molding (3) on fender.
- 3 Unscrew the three screws on inside ornamental molding (1) and remove inside ornamental molding together with bottom ornamental molding (3).
- 4 Unscrew bottom ornamental molding (3) from inside ornamental molding (1).



**Installation**

- 5 For installation proceed vice versa.