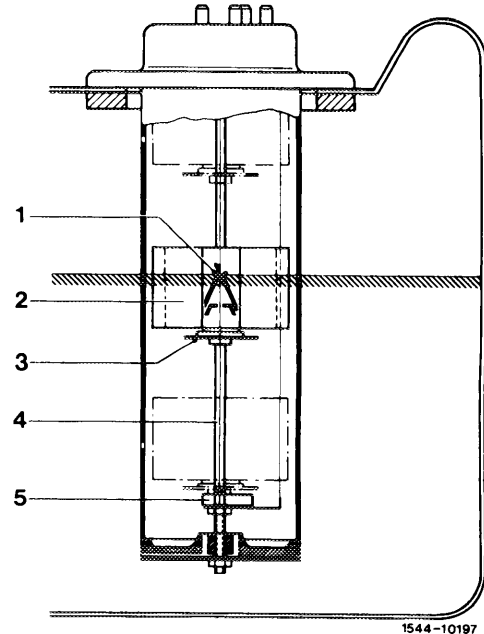


Electric function

When the fuel level drops, the slide contact (1) on float (2) of immersion tube transmitter increase the resistance value, the current drops and the indicating needle in instrument moves back.

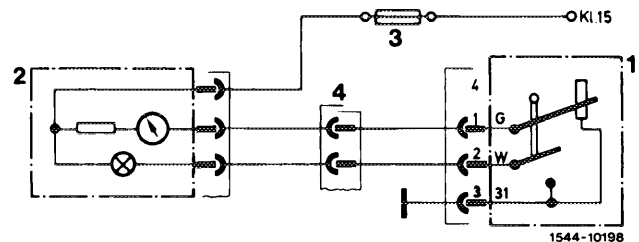
When fuel level drops still further, the reserve warning contact (5) in immersion tube transmitter, which connects reserve warning light to ground, is closed.



Immersion tube transmitter
 1 Slide contact
 2 Float
 3 Contact plate
 4 Guide and contact rod
 5 Reserve warning contact

1544-10197

Indicating instrument and reserve warning light are energized via fuse by switching on ignition.



Sedan
 1 Immersion tube transmitter
 2 Fuel indicating instrument
 3 Fuse
 4 Plug connection tail lamp harness

1544-10198