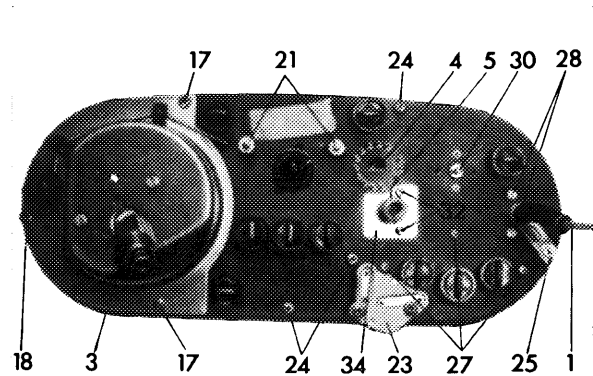


A. Model 114, 115

Removal

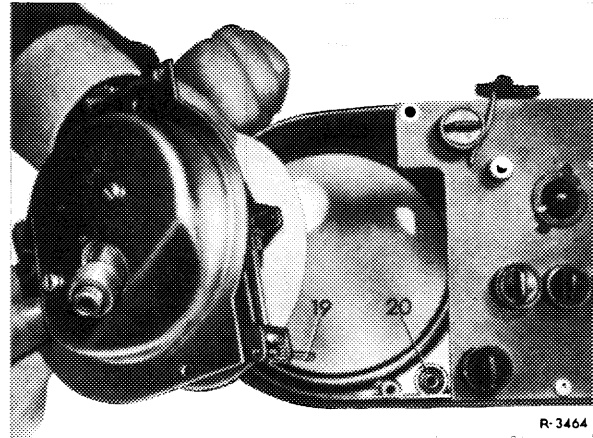
- 1 Remove instrument cluster (54-250).
- 2 Remove tachometer light.
- 3 Remove both screws (17) and nut (18).
- 4 Slightly pull out tachometer, cant on free side and remove.



R-3502

Installation

- 5 For installation proceed vice versa.
- Make sure that shaft (19) enters sleeve (20).



R-3464