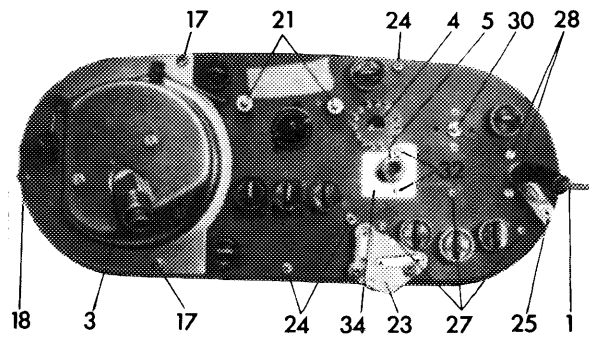


A. Model 114, 115

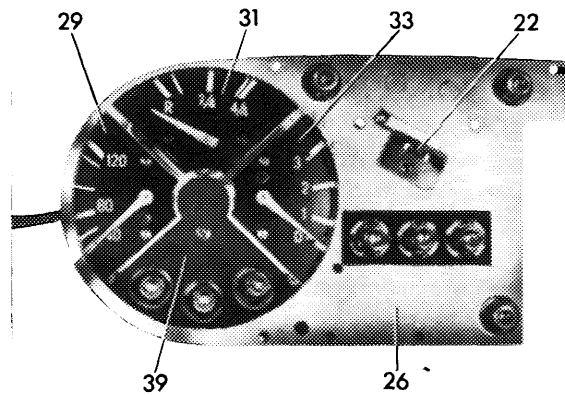
**Removal**

- 1 Remove instrument cluster (54-250).
- 2 Remove tachometer (54-253).
- 3 Remove regulating switch (23).
- 4 Remove the three screws (24) and nut (25).
- 5 Remove contact plate with indicating instrument.
- 6 Remove the three screws (27).



R-3502

- 7 Remove dial with intermediate molding (39).
- 8 Individually remove fuel readout, coolant temperature readout and oil pressure readout indicating instruments by removing fastening screws or nuts on back of contact plate (26).



R-3466

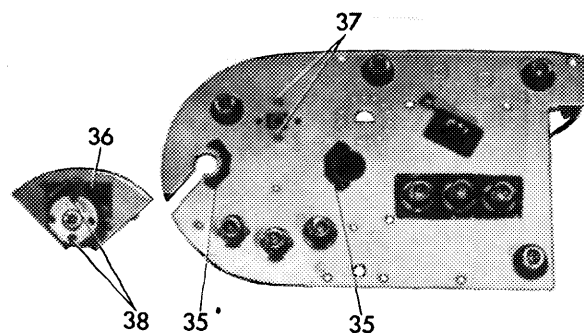
**Installation**

- 9 For installation proceed vice versa.

**Attention!**

Make sure that the insulating plates (35) under indicating instruments are mounted.

When installing fuel indicating instrument (36) make sure that contacts (37) are entering bushings (38).



R-3467