

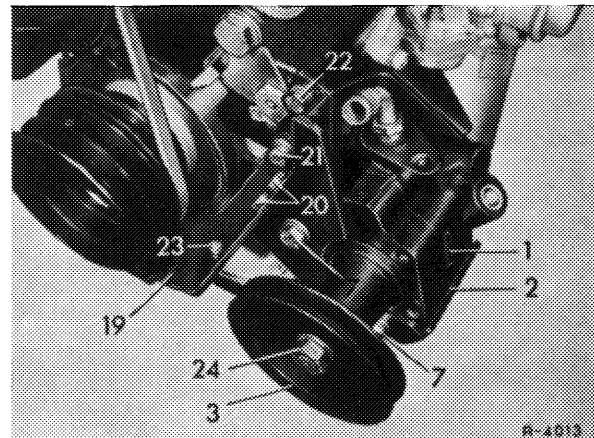
46-760 Removal and installation of carrier for powersteering pump

Tightening torques	Nm	(kpm)
	Hex screw M 8 (10.9)	35 (3.5)
	Hex socket screw M 8 (10.9)	35 (3.5)
Attachment of carrier on model 115.0 1st version (illustration item 1)	Hex socket screw M 10 (10.9)	70 (7)
	Hex collar screw M 8 (10.9)	35 (3.5)
	Hex screw M 8 (8.8)	25 (2.5)
Attachment of carrier on model 115.0 2nd version (illustration item 2)	Locking screw M 8 (12.9)	40 (4)
	Locking screw M 10 (12.9)	80 (8)
	Hex screw M 8 (8.8)	25 (2.5)
Attachment of carrier on model 115.1	Hex nut M 8 (10.9)	35 (3.5)
	Hex screw M 8 (8.8)	25 (2.5)
	Hex screw M 8 (10.9)	35 (3.5)
Attachment of carrier on model 114	Hex socket screw M 10 (10.9)	70 (7)
	Hex screw M 10 (10.9)	70 (7)
	Hex screw M 8 (10.9)	35 (3.5)

A. Model 115.0

Removal

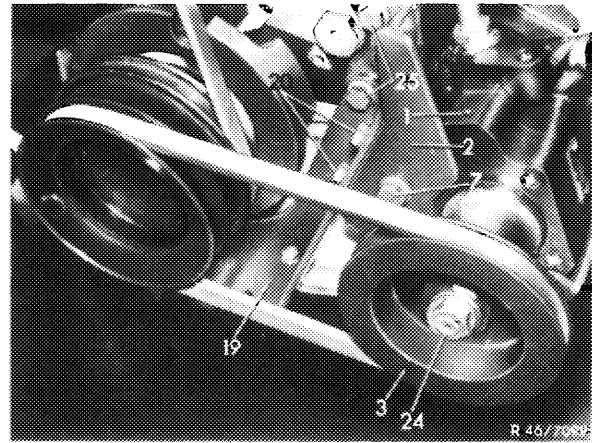
- 1 Remove powersteering pump (46-710).
- 2 Unscrew front fastening screws (21, 22, 25).



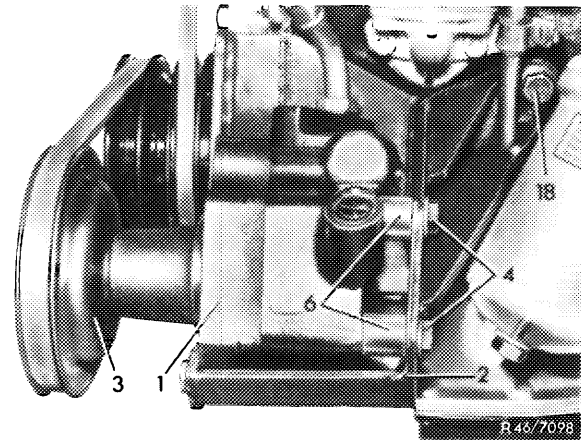
Note: The carrier can be attached to cylinder crankcase at the front either with hex or hex socket screws of classification 10.9 or with locking screws of classification 12.9.

3 Remove guide tube for oil dipstick out of oil pan. (On vehicles manufactured starting in the middle of 1973, the above is no longer necessary).

4 Unscrew both hex screws (20) out of holder (19) of engine stop restriction.



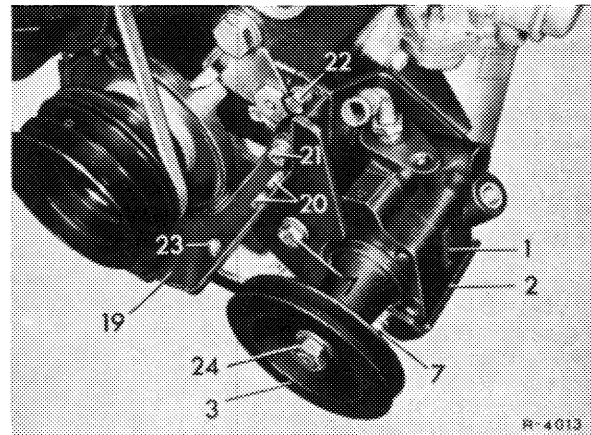
5 Unscrew hex socket screw or locking screw (18) from cylinder crankcase and oil pan top and remove carrier (2), while paying attention to spacing sleeve located between oil pan and carrier.



Installation

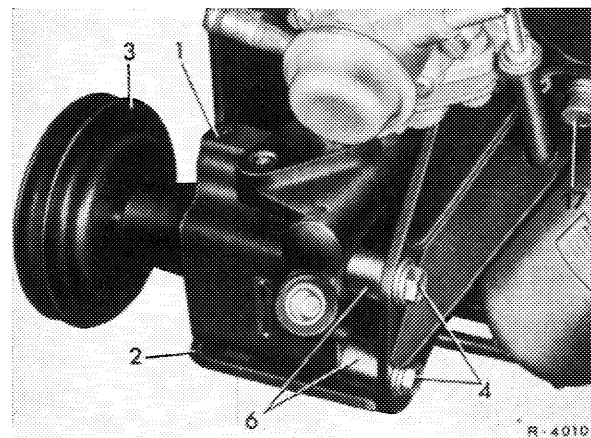
1st version

6 Attach carrier (2) at front to cylinder crankcase by means of hex socket screw (21) and hex screw (22), and 5 uniformly stacked cup springs. Tightening torque of screws 35 Nm (3.5 kpm).



7 Attach carrier (2) laterally with hex socket screw (17) and 4 uniformly stacked cup springs (arch toward screw head). Tightening torque 70 Nm (7 kpm).

8 Place spacing sleeve on oil pan and attach carrier (2) to oil pan top by means of hex screw. Tightening torque 35 Nm (3.5 kpm).

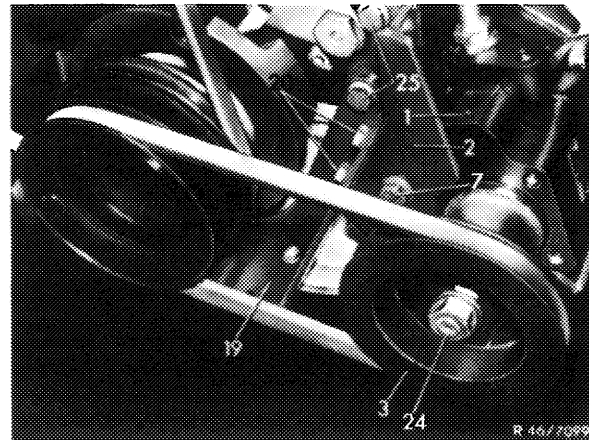


9 Attach carrier to engine stop restriction and engine stop restriction to oil pan.

10 Install guide tube of oil dipstick, if removed.

2nd version

11 Attach carrier (2) at front to cylinder crankcase with locking screws (25). Tightening torque 40 Nm (4 kpm).



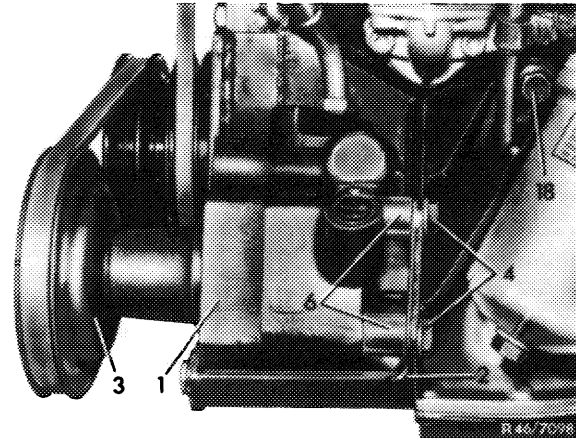
12 Attach carrier (2) laterally to cylinder crankcase with locking screw (18).

13 Place spacing sleeve of oil pan and attach carrier to cylinder crankcase and oil pan top with locking screws. Tightening torques:

M 8 = 40 Nm (4 kpm)

M 10 = 80 Nm (8 kpm)

14 Attach carrier to engine stop restriction and engine stop restriction to oil pan.



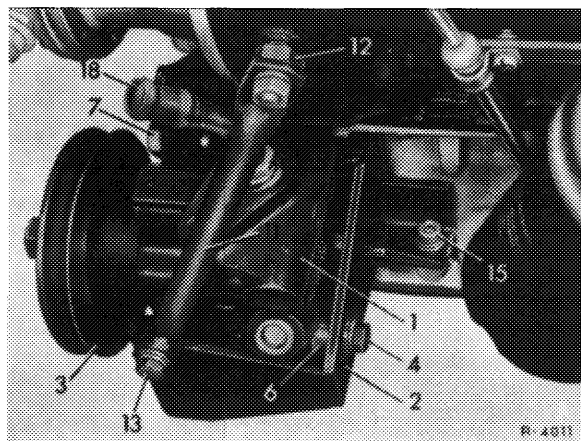
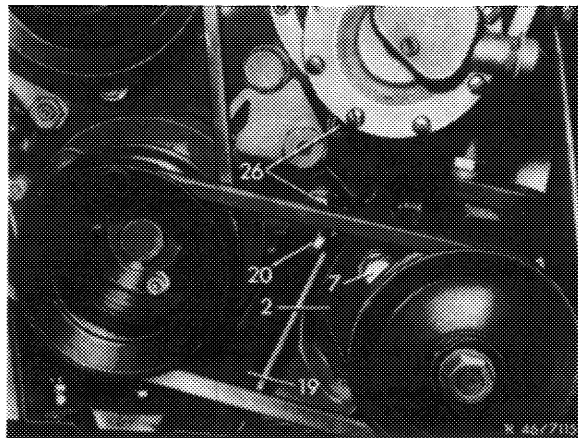
B. Model 115.1

Removal

- 1 Remove powersteering pump (46–710).
- 2 Loosen holder (19) of engine stop restriction at right front and on oil pan.
- 3 Unscrew both hex nuts (26) at front on cylinder crankcase.
- 4 Unscrew hex screw (20) on holder (19) of engine stop restriction.
- 5 Unscrew hex socket screw (15) from oil pan top and remove carrier, while paying attention to spacing ring located between oil pan and carrier.

Installation

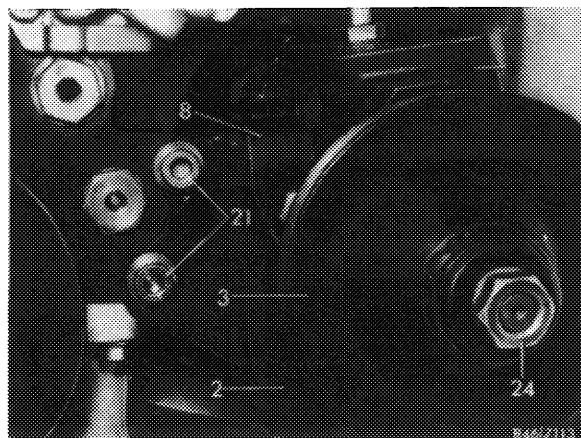
- 6 Screw-in carrier (2) at front of cylinder crankcase by means of the two hex nuts (26) with washer and snap rings, as well as hex screw (20).
- 7 Install powersteering pump (46–710).
- 8 Install supporting strut (11) between carrier and cylinder head.



C. Models 114.06 and 114.07

Removal

- 1 Remove powersteering pump (46–710).
- 2 Remove pulley on crankshaft as well as vibration damper (03–340).
- 3 Unscrew both hex socket screws (21) at front and lateral hex screw out of cylinder crankcase.



4 Unscrew hex screw (13) for attaching strut (11) and remove carrier (2).

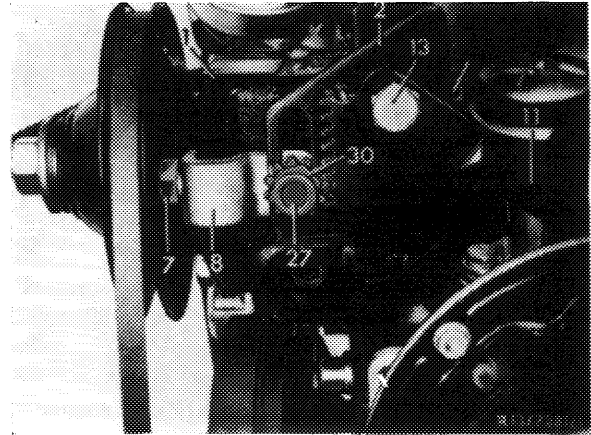
Installation

5 Attach carrier (2) at front on cylinder crankcase with hex socket screws (21) including washers and snap ring and laterally by means of hex screw. Tightening torque 70 Nm (7 kpm).

6 Install strut (11) between carrier and cylinder crankcase.

7 Install vibration damper and pulley (03–340).

8 Install powersteering pump (46–710).



D. Models 114.01 and 114.02

Removal and installation of carrier of models 114.01 and 114.02 is already described in Job No. 46–710
Removal and installation of powersteering pump, since the powersteering pump is suitably removed together with carrier.