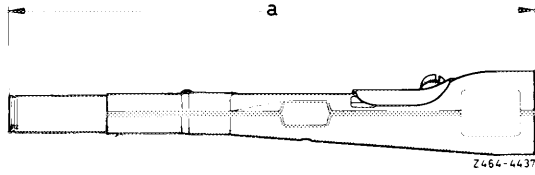


46-620 Removal and installation of jacket tube

Data

Jacket tube length "a"	631
------------------------	-----



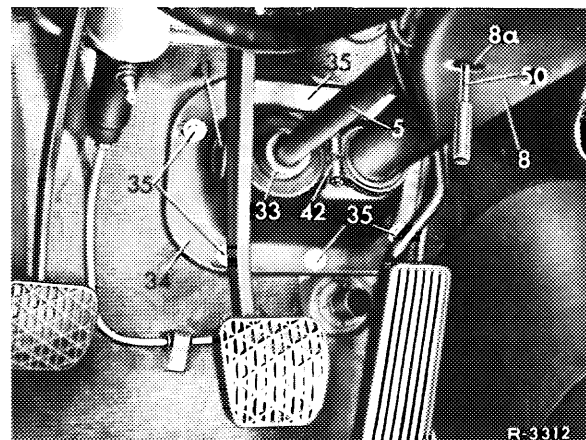
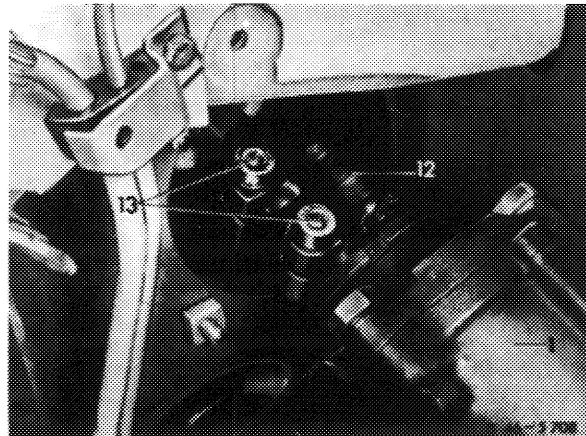
Tightening torques	Nm	(kpm)
Hex nut to steering shaft	50	(5)
Hex socket screw to steering coupling	25	(2.5)
Hex screws to cross member	25	(2.5)

Self made tool

Assembly pin for steering shaft	refer to illustration item 19
---------------------------------	-------------------------------

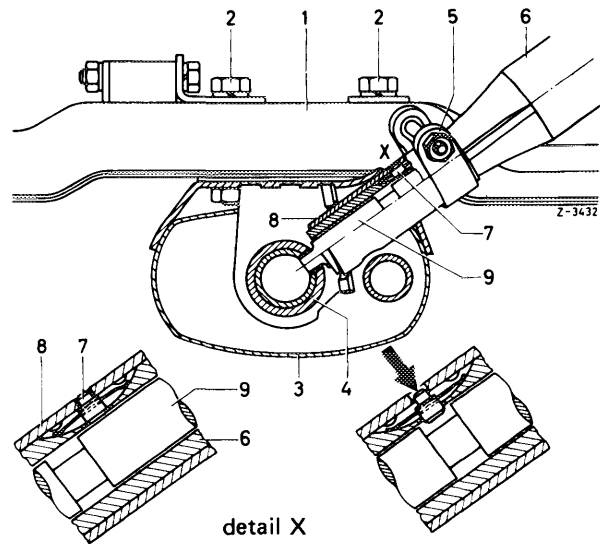
Removal

- 1 Disconnect cable on battery.
- 2 Unscrew upper hex socket screw (13) from steering coupling.
- 3 On vehicles with steering column shift, disconnect shift rods on intermediate levers of bearing bracket.
- 4 Loosen plug connection of back-up light switch.
- 5 Unscrew hex screws (35) for fastening cover plate (34) to front end.
- 6 On vehicles with steering column shift, remove foot plate for regulation.
- 7 Remove instrument cluster.
- 8 Remove steering lock (46-640).
- 9 Loosen plug connection for cable assembly of combination switch.



10 Unscrew both hex screws (2) for fastening jacket tube (3) to control arm (1) and remove jacket tube.

- 1 Control arm
- 2 Hex screw with washer and spring ring
- 3 Jacket tube
- 4 Steering shaft
- 5 Fastening clip
- 6 Steering lock
- 7 Locking pin
- 8 Bracket for steering
- 9 Bolt



11 Remove steering shaft (46-630).

12 On vehicles with steering column shift remove bearing bracket and shift tube.

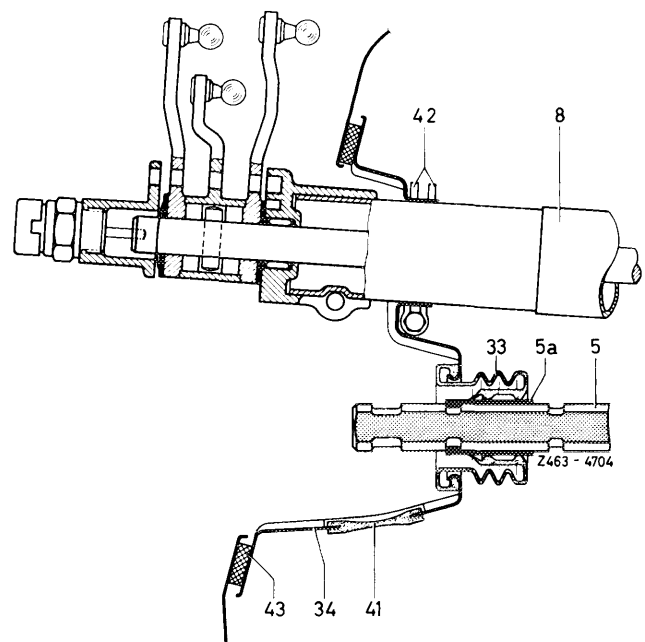
13 Loosen clamping screw in fastening clip (42), remove cover plate (34) from jacket tube (8).

14 Remove rubber sleeve (33) from cover plate (34).

Installation

Note: a) If the jacket tube has been axially displaced by accident, replace, since it cannot be returned to its specified position.

b) Following repairs as a result of an accident, when one of the side members or the front end have been straightened or replaced, or when the jacket has been removed, check alignment between steering shaft and steering worm. **For this purpose**, install steering and complete jacket tube **without steering coupling**. A vertical and lateral offset of 2 mm between steering shaft and steering worm is permitted. Alignment may be corrected by displacing jacket tube at control arm or cover plate on front end. Attention should be paid to perfect location of steering lock cap in cutout of instrument panel.



15 Insert jacket tube into cover plate (34), however, do not tighten hex nut of fastening clip (42).

16 On vehicles with steering column shift, install shift tube and bearing body of steering column shift.

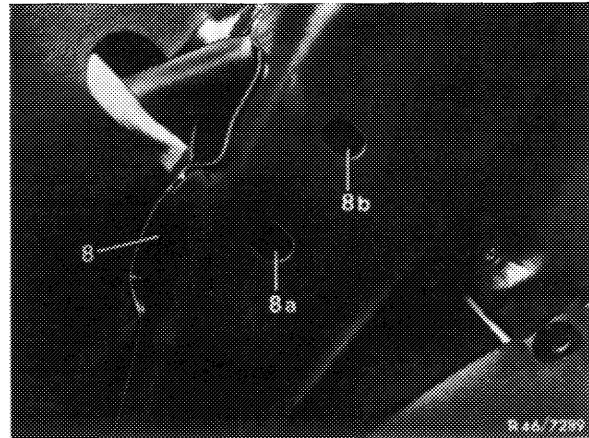
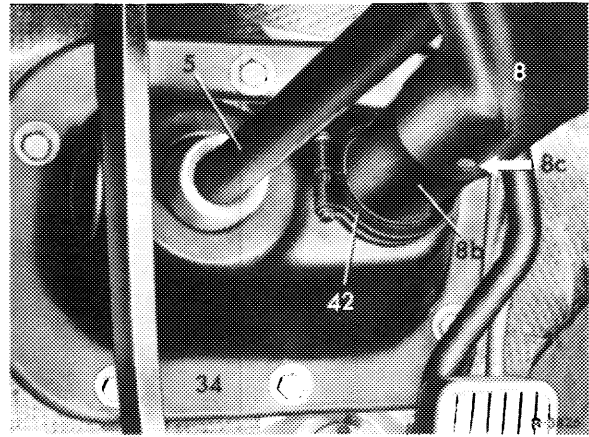
17 Install steering shaft into jacket tube.

18 Insert rivet of 6 mm dia. into bore (8c) on jacket tube (8) and fasten with adhesive tape.

Note: The rivet prevents telescoping of jacket tube during installation.

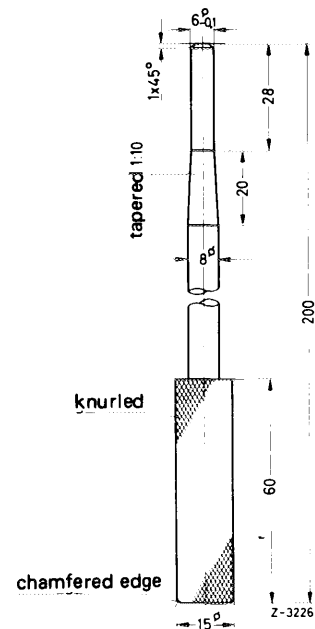
19 Locate steering shaft with assembly pin through bore in jacket tube (8a or 8b).

Note: a) Upon installation of manual steering L 1 Z or powersteering LS 75, steering worm must be locked through lower bore (8a) while the upper bore (8b) applies for locking steering shaft on powersteering LS 90.



b) Steering worm must be located by all means, to prevent axial displacement during installation of jacket tube.

Make assembly pin yourself according to specified dimensions.

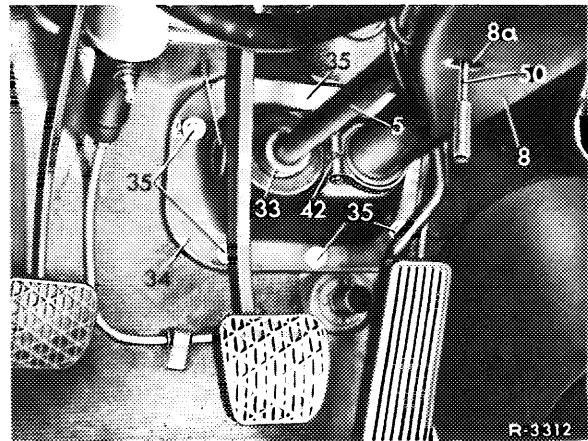


20 Check whether rubber sleeve (33) for sealing steering shaft (5) is correctly seated in cover plate (34).

21 Locate steering in center position by means of center position-check screw.

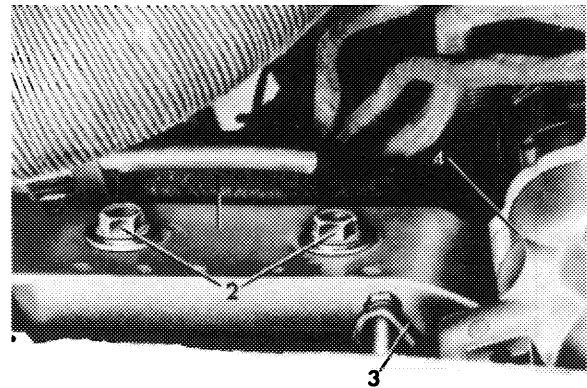
22 Insert jacket tube (8) into front end and control arm, making sure that gasket (43) is correctly seated on cover plate (34) and is introduced into steering coupling with steering shaft (5).

23 Attach cover plate to front end.



24 Attach jacket tube to control arm. Tighten hex screws (2) to 25 Nm (2.5 kpm).

25 Install steering lock and check for function (46–640).



26 Fasten hex screw in fastening clip (42) tightly.

27 Remove adhesive tape and rivet from bore in jacket tube.

28 Unscrew center position-check screw from steering.

29 Remove assembly pin from steering shaft.

30 Install instrument cluster.

31 Screw-in hex socket screw on lower flange of steering coupling and tighten.

32 Connect plug connection for cable assembly of combination switch.

33 Install combination switch and check for function.

34 Install foot plate for regulation.

