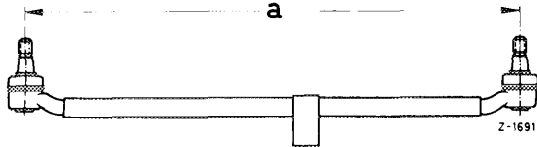


46–550 Removal and installation of drag link

Data

Part No.	Model	Length "a"	Remarks
115 460 15 05	114	502 ± 1.5	optional
115 460 16 05	115		



Approved grease types for ball joints

Multi-purpose grease	refer to Specifications for service products page 267
----------------------	---

Tightening torques	Nm	(kpm)
Castle nut for attaching drag link to steering arms	35	(3.5)
Hex screw for attaching steering shockabsorber to drag link	45	(4.5)

Special tool

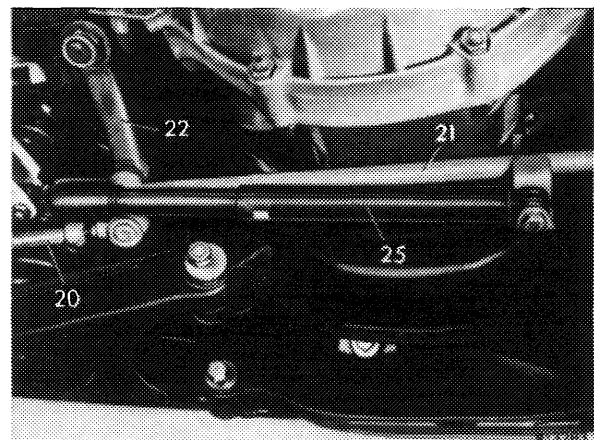
Puller for ball joint of drag link on pitman arm and intermediate steering arm



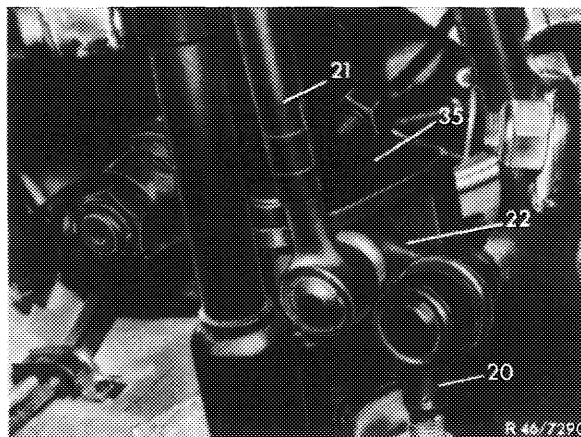
115 589 08 33 00

Removal

- 1 Uncotter castle nuts on joints of drag link and unscrew.
- 2 Unscrew hex screw for attaching steering shockabsorber (25) and force steering shockabsorber out of mounting.



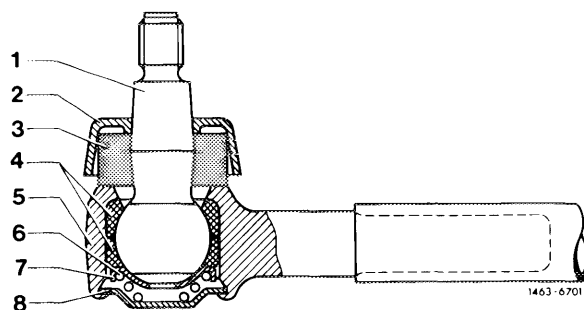
3 Force drag link (21) from steering arms by means of puller (35).



Checkup

4 Check joints (1) of drag link. If joints are moving too easily or in the event of play be sure to replace drag link.

- 1 Ball pin
- 2 Plastic cover
- 3 Sealing ring
- 4 Bearing shell
- 5 Ball head
- 6 Compression spring
- 7 Socket
- 8 Closing cover



Installation

5 Replace sealing ring (3) and plastic cover (2).

6 Clean ball pin as well as conical seats in steering arms perfectly from grease. Push ball pin tightly into cone of steering arm. Screw-on castle nuts and cotter. Tightening torque 35 Nm (3.5 kpm) — reference value.

7 Attach steering shockabsorber to drag link.

8 Check wheel adjustment on front axle (40–320).

