

42–530 Removal and installation of brake shoes of parking brake

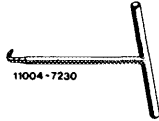

Data

Brake shoe dia.	160–0.2
ID of brake disc	160 + 0.2
Brake shoe width	25

Lubricant

Molykote Paste U	Molykote Paste G Rapid	Liqui-Moly-Paste 36
------------------	------------------------	---------------------

Special tools

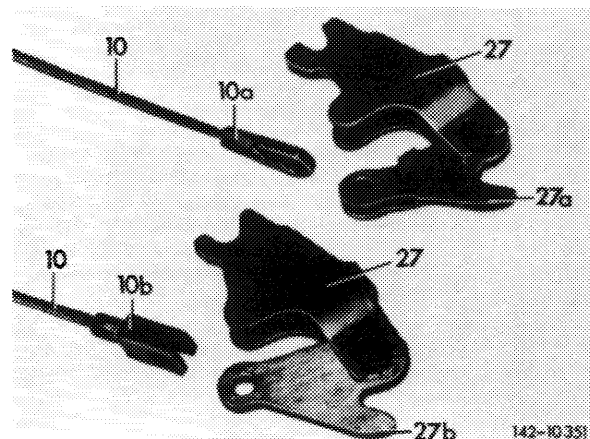
Remover and installer for restoring spring		116 589 01 02 00
Installer for pressure spring		112 589 09 61 00

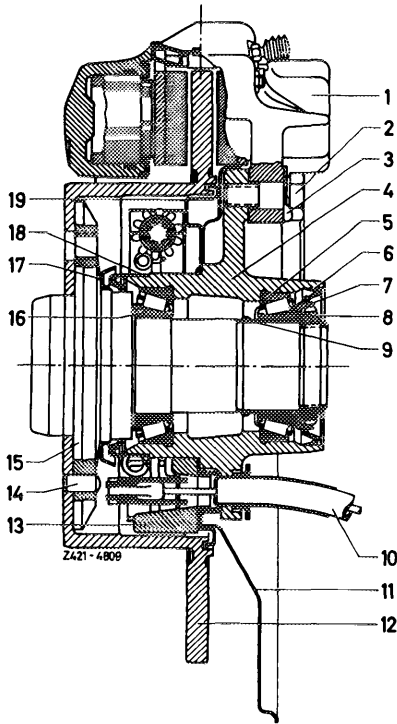
Note

Starting 1975 a modified expanding lock with solid draw link will be installed. This will also change the rear brake cable control. The end piece is now designed as a fork head. In the event of repairs, note that the old and the new version of the expanding lock and the brake cable control are not interchangeable.

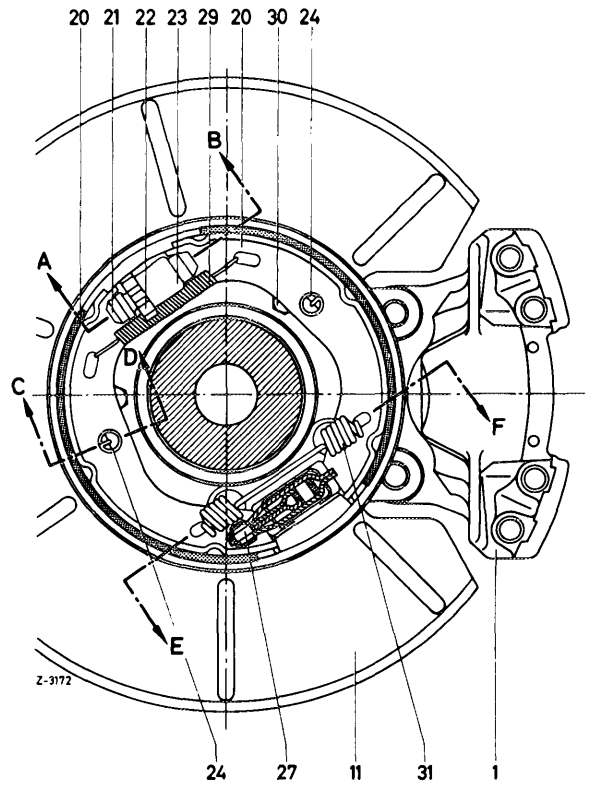
The expanding lock 1st version can no longer be supplied since fall 1976.

- 10 Brake cable control
- 10a Eye of brake cable control
- 10b fork-shaped end piece of brake cable control
- 27 Expanding lock
- 27a fork-shaped draw link
- 27b Solid draw link



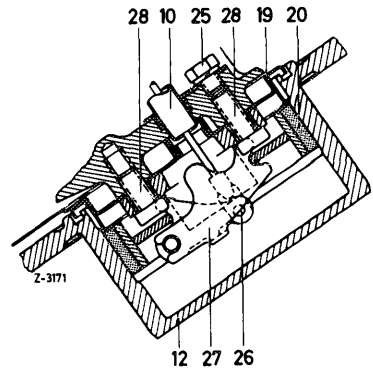
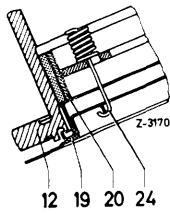
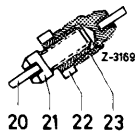


Section A-B



Section C-D

Section E-F

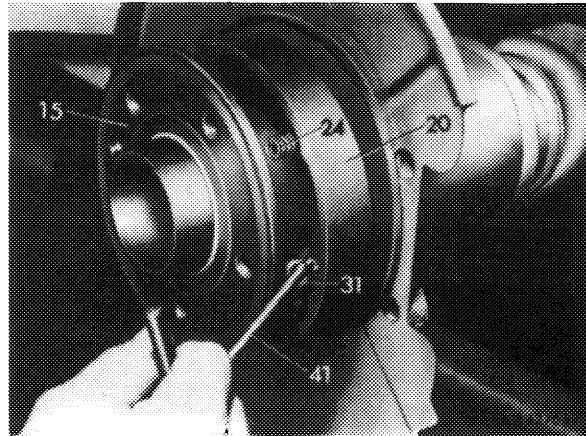
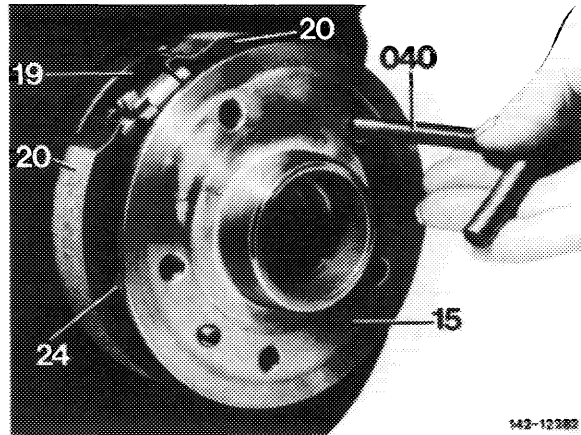


Layout diagonal swing axle

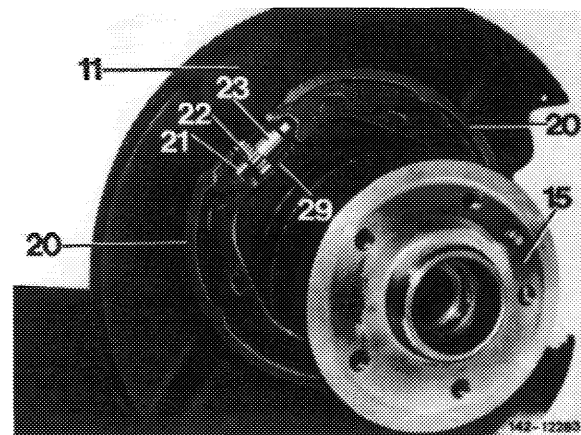
- | | | | |
|--------------------------------|---------------------------------|------------------------------|------------------------------|
| 1 Caliper | 10 Brake cable control | 19 Cover ring | 27 Expanding lock |
| 2 Hex. screw | 11 Cover plate | 20 Brake shoe | 28 Hex. socket screw |
| 3 Locking plate | 12 Brake disc | 21 Thrust piece | 29 Upper restoring spring |
| 4 Wheel carrier | 13 Brake carrier | 22 Adjusting wheel | 30 Hex. screw with snap ring |
| 5 Inner tapered roller bearing | 14 Pin | 23 Pressure sleeve | 31 Lower restoring spring |
| 6 Radial sealing ring, inner | 15 Rear axle shaft flange | 24 Pressure spring | |
| 7 Sealing race | 16 Outer tapered roller bearing | 25 Hex. screw with snap ring | |
| 8 Slot nut | 17 Dust cap | 26 Bolt | |
| 9 Spacing sleeve | 18 Radial sealing ring, outer | | |

Removal

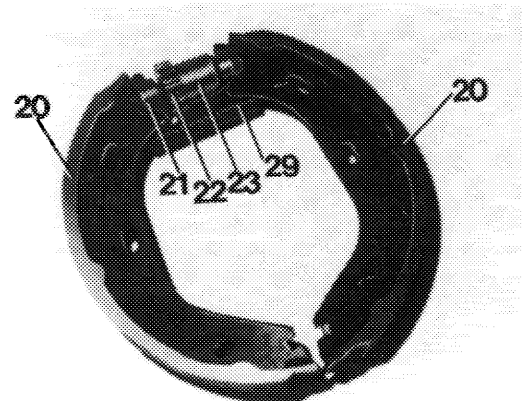
- 1 Remove brake disc (42-228).
- 2 Turn rear axle shaft (15) in such a manner that one tapped hole faces spring (24). Then compress spring slightly with installer (040), turn tool by approx. 90°, then disconnect spring from cover plate and remove.
- 3 Remove spring from other brake shoe likewise.
- 4 Disconnect restoring spring (31) from brake shoes (20) with remover and installer (41).



- 5 Pull both brake shoes (20) apart until they can be removed over rear axle flange (15).

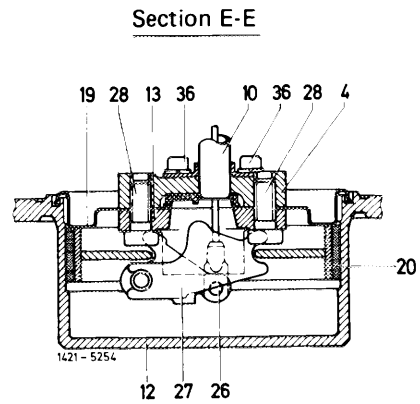


- 6 Disconnect restoring spring (29) from brake shoes (20) and remove adjusting device (21 to 23).



7 Push bolt (26) out of expanding lock (27) and remove expanding lock from brake cable control (10).

- 4 Wheel carrier
- 10 Brake cable control
- 12 Brake disc
- 13 Brake carrier
- 19 Cover ring
- 20 Brake shoe
- 26 Bolt
- 27 Expanding lock
- 28 Hex. socket screw
- 36 Hex. socket screw with snap ring



Installation

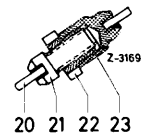
8 Coat all bearing and sliding surfaces on expanding lock with specified lubricant (refer to table), attach brake cable control (10) to expanding lock (27) with bolt (26). Then push expanding lock toward cover ring (19).

9 Tighten both hex. socket screws for attaching brake carrier (13). Tightening torque 50 Nm (5 kpm).

10 Coat threads of thrust piece (21) and cylindrical portion of adjusting wheel (22) with specified lubricant (refer to table). Assemble adjusting device and turn completely back.

Section A-B

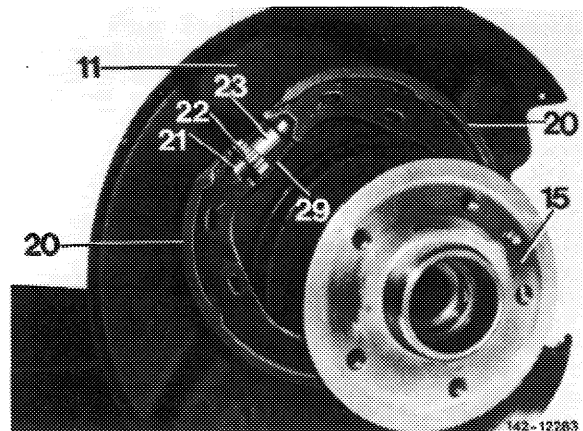
- 20 Brake shoe
- 21 Thrust piece
- 22 Adjusting wheel
- 23 Pressure sleeve



11 Insert adjusting device (21 to 23) into both brake shoes in such a manner that the adjusting wheel (22) is pointing forward.

12 Connect restoring spring (29) to both brake shoes.

13 Pull brake shoes (20) apart, insert over rear axle shaft frame (15) and connect to expanding lock.



14 Insert spring (24) laterally into brake shoe (20). Introduce installer (040) through a tapped hole of rear axle shaft flange (15), then compress spring slightly, turn by 90° and connect to cover ring (19). Make sure that the spring is correctly connected.

15 Connect spring (31) to small eye in brake shoe.

Note: The eyes of the restoring spring are of different design. For large eye see arrow.

16 Connect remover and installer (41) into large eye of restoring spring (31), then connect restoring spring to other brake shoe (20).

17 Install brake disc (42–228).

18 Adjust parking brake (42–540).

