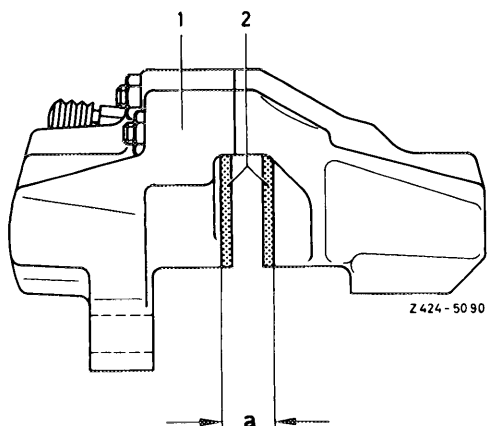


Data

Model	114.010, 114.021, 114.022, 115.0 115.10, 115.110, 115.112, 115.115 115.117, 115.119 and version 1 114.00, 114.011, 114.015, 114.017, 114.023	114.06, 114.07, 115.114 and version 2 114.00, 114.011, 114.015, 114.017, 114.023
Caliper	Teves S 2 – 57 Bendix FD 57	Teves SS 2 – 60 Bendix FE 60
Shaft width for brake pads	77 + 0.15	90 + 0.15
Disc contact width "a"	16.5	



a = Disc contact width
1 Caliper
2 Brake pad

Tightening torque	Nm	(kpm)
Fitted hex bolt for attaching caliper to steering knuckle	115	(11.5)

Conventional tool

Open double box wrench 9 x 11 mm	e.g. made by Hazet, D-5630 Remscheid Order no. 612
----------------------------------	---

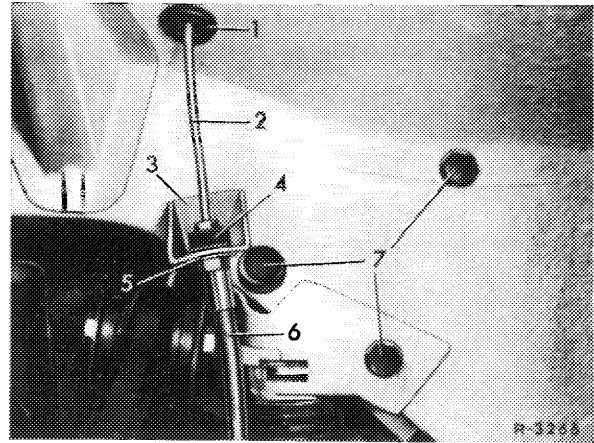
Note

For loosening and tightening brake lines use conventional double box wrench only.

Removal

1 Pump brake fluid out of front brake circuit through an open bleeder plug.

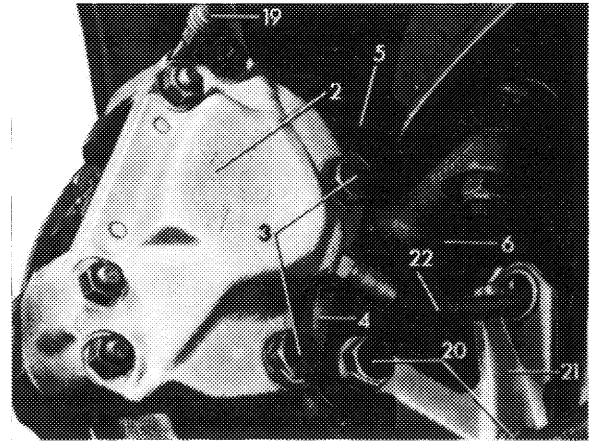
2 Loosen brake hose (6) on brake line (2), then immediately close brake hose and brake line with rubber plug.



3 Loosen brake hose (22) on caliper and remove from holder (21).

Close connection on brake line with a rubber plug.

4 Unbend locking plate (4) and unscrew hex head fitted bolts (3). Then remove caliper from steering knuckle (6).



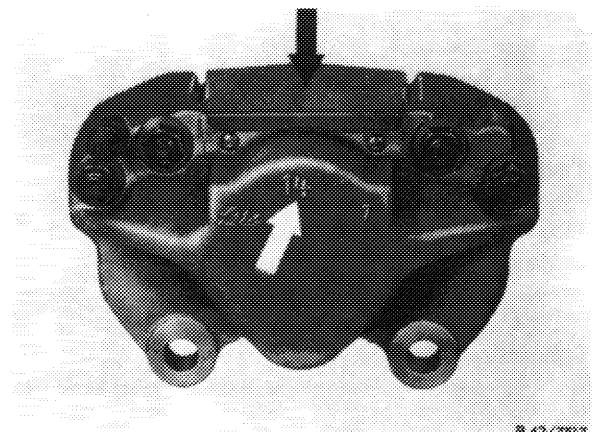
Installation

Attention!

When installing a new caliper, proceed as follows:

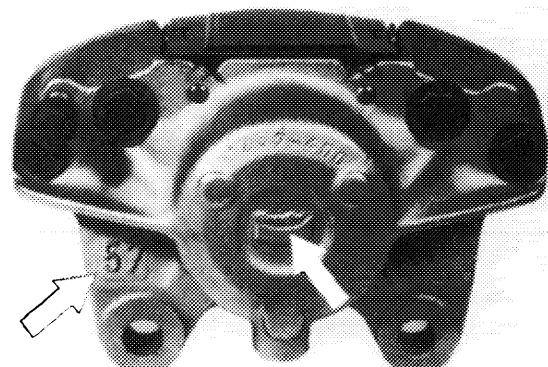
The calipers of one axle must have the same piston dia. In addition, only calipers of the same manufacturer may be installed on one axle.

Teves caliper with 57 mm piston dia. and code no. 14

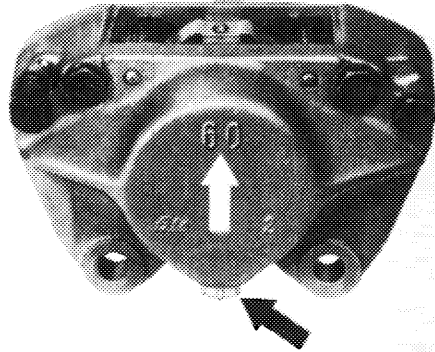


R 42/7317

Bendix caliper with 57 mm piston dia. and code no. 57

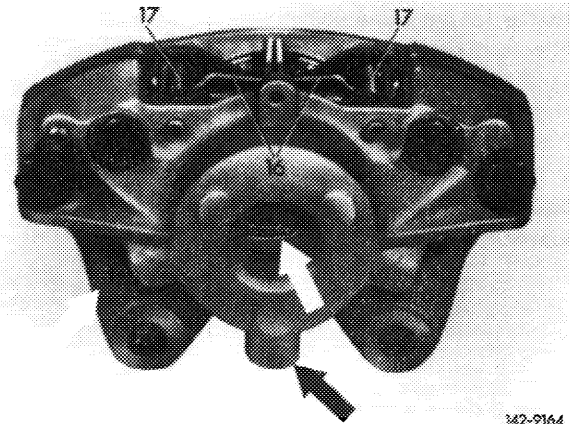


142-8630



Teves caliper with 60 mm piston dia. and code no. 60

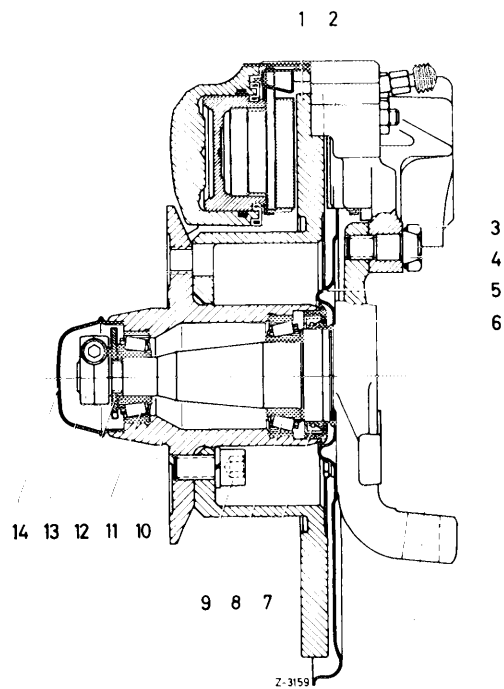
W 42-7518



Bendix caliper with 60 mm piston dia. and code no. 60

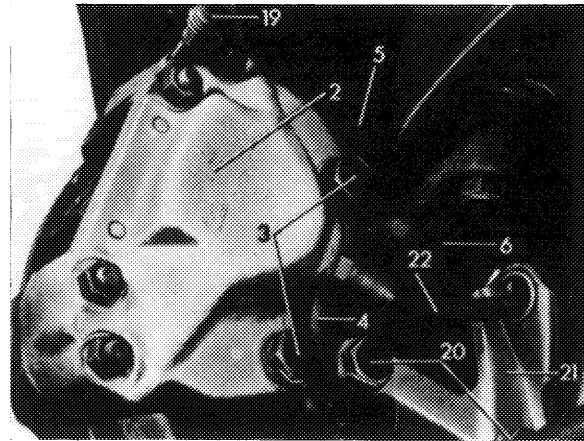
W 42-9164

5 Attach caliper with a new locking plate (4) and hex head fitted bolts (3) to steering knuckle (6). Tighten hex head fitted bolts to 115 Nm (11.5 kpm).



- 1 Brake disc
- 2 Caliper
- 3 Hex head fitted bolt
- 4 Locking plate
- 5 Cover plate
- 6 Steering knuckle
- 7 Radial sealing ring
- 8 Tapered roller bearing
- 9 Hex socket screw with snap ring
- 10 Front wheel hub
- 11 Tapered roller bearing
- 12 Washer
- 13 Clamping nut
- 14 Hub cap

6 Introduce brake hose (22) to holder (21) making sure that the guide grommet of the holder is not damaged. Then attach brake hose to caliper.

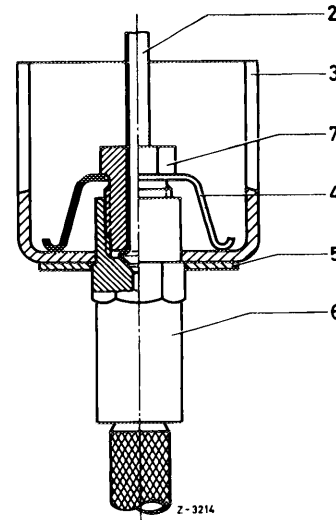


7 Connect brake line (2) to brake hose (6), making sure that the brake hose is not twisted.

Attention!

Holder (3) has a double hex locking plate (5). Introduce brake hose (6) into locking plate in such a manner that hose will not wipe against any obstacle.

8 Turn steering completely to the left and right, brake hose should not abut against any item whatsoever.



- | | |
|-----------------------|-----------------|
| 2 Brake line | 5 Locking plate |
| 3 Holder on underbody | 6 Brake hose |
| 4 Brake hose holder | 7 Coupling nut |

9 Bleed front wheel brake circuit (42-010).

Attention!

Check brake system for leaks!

Upon bleeding, actuate brake pedal energetically several times to obtain the correct clearance between brake disc and brake pad. Then, with the engine running, perform leak test by actuating brake pedal at approx. 200–300 N (approx. 20–30 kp). The established pressure should be maintained for some time, brake pedal should not permit additional depression. Check all connections for leaks. Top up brake fluid in expansion tank of tandem main cylinder, if required.