

33-510 Removal and installation of lower control arm

Tightening torques	Nm
Hex. nut for guide joint	60
Hex. nut for supporting joint	80
Hex. bolts for steering knuckle arm	80
Hex. nuts of cam bolts for lower control arm bearing	120
Hex. nut of lower shock absorber suspension	20

Special tools

Remover for supporting and guide joint	115 589 02 33 00
--	------------------

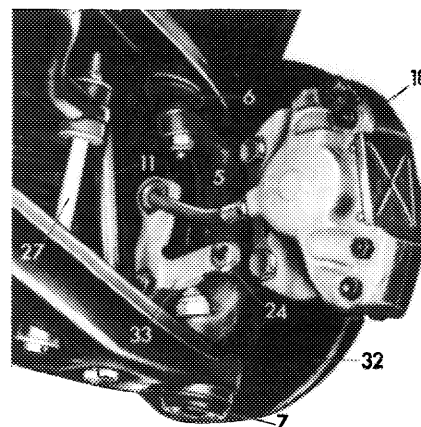
Note

The front shock absorbers are serving simultaneously as deflection stop for the front wheels. Therefore loosen shock absorber suspension only when the vehicle is on its wheels or when the lower control arm is supported. There is a safety stop between the upper control arm and the front axle carrier.

Removal

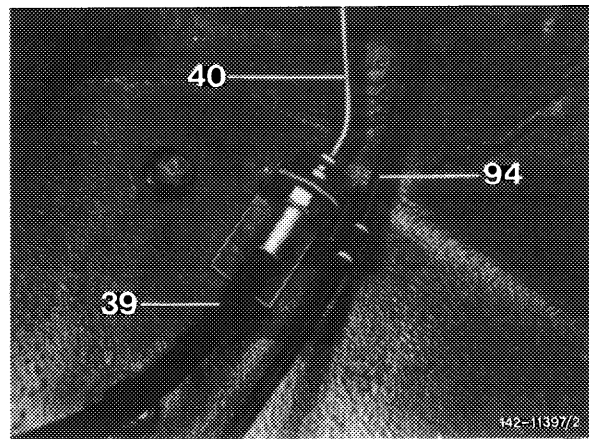
- 1 Loosen lower shock absorber suspension.
- 2 Jack-up vehicle, remove front wheel.
- 3 Unscrew steering knuckle arm from steering knuckle.

5 Steering knuckle	27 Torsion bar connection linkage
6 Guide joint	32 Cover plate for front wheel brake
7 Supporting joint	33 Holder for brake hose
11 Front shock absorber	
18 Fixed caliper	
24 Steering knuckle arm	



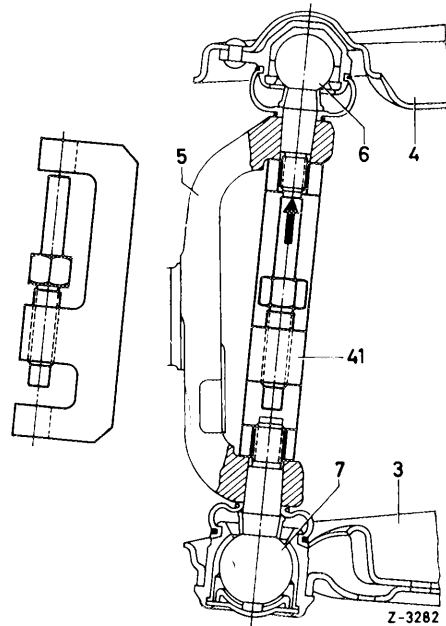
R 32-5609

4 Separate brake line (40) and brake hose (39) from each other. Close connections with rubber plugs.



5 Remove front spring (32-200).

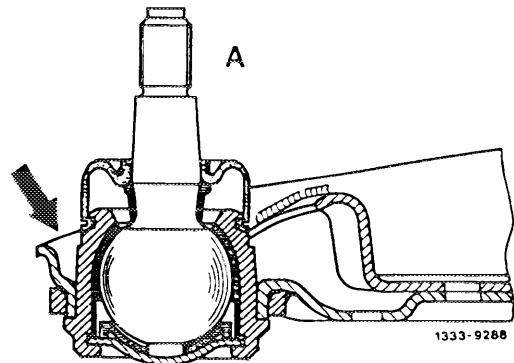
6 Unscrew hex. nuts on supporting and guide joint. Remove supporting joint from steering knuckle with pertinent fixture, remove lower control arm.



- 3 Lower control arm
- 4 Upper control arm
- 5 Steering knuckle
- 6 Guide joint
- 7 Supporting joint
- 11 Remover

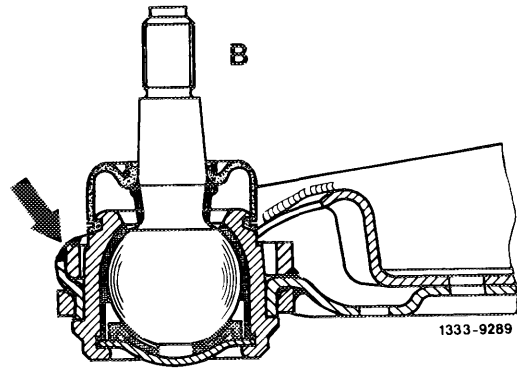
Installation

Note: Starting March 1980 the lower control arms in range of supporting joint were reinforced by a welded-in ring (arrows). These changed control arms may also be used instead of the version installed up to now.



1st version up to February 1980
A Lower control arm

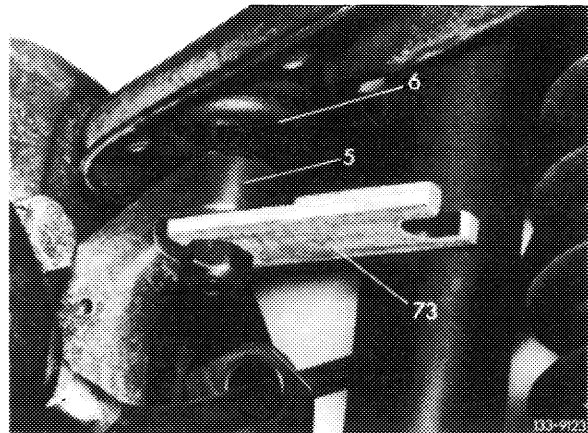
2nd version starting March 1980
 B Lower control arm



7 Attach supporting and guide joint with new, self-locking hex. nuts to steering knuckle. Make sure that the seats of the ball pins for the supporting and guide joint are free of grease.

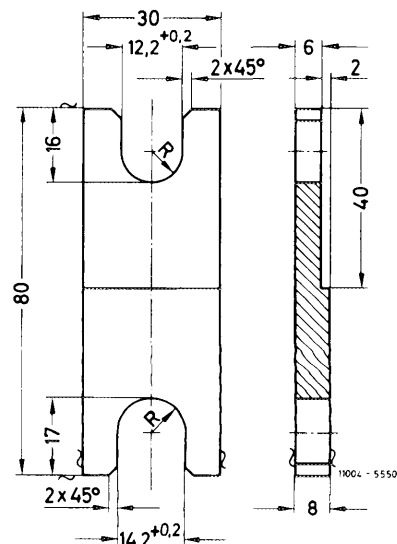
8 If the ball pin on the guide or supporting joint keeps turning when the hex. nut is being tightened, insert a spacing piece and pull the ball pin cone into the steering knuckle by tightening the hex. nut.

Then loosen hex. nut, remove spacing piece and tighten hex. nut to the prescribed torque.



- 5 Steering knuckle
- 6 Guide joint
- 73 Spacing piece

The spacing piece can be self-made.



9 Install front spring (32-200).

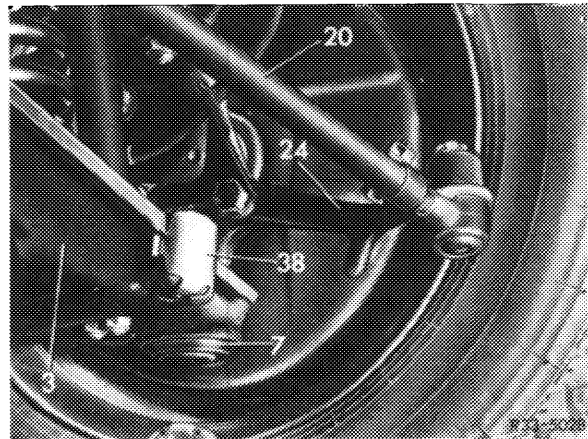
10 Attach the lower shock absorber suspension to the control arm.

Attention!

Only tighten the hex. nuts of the eccentric bolt for the lower control arm **if the vehicle is in driving condition and standing on its own wheels.**

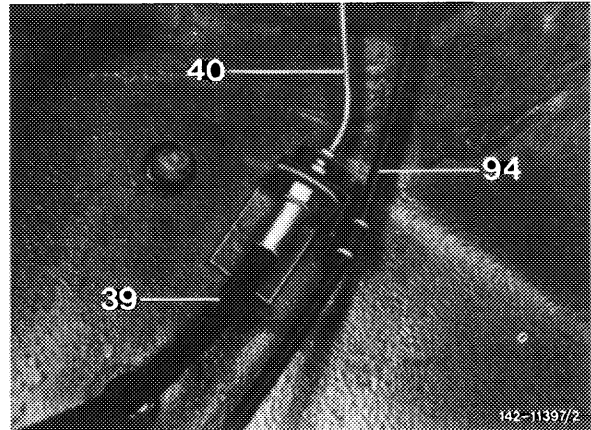
11 Install steering knuckle arm using new holder for brake hose (46-095).

- 3 Lower control arm
- 7 Supporting joint
- 20 Track rod
- 24 Steering knuckle arm
- 38 Protective cap

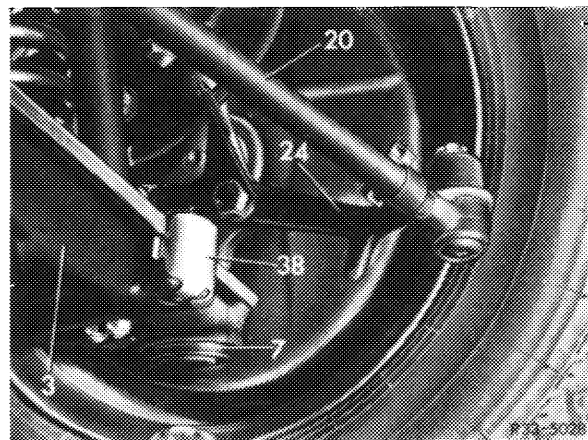


12 Connect brake pipe and break hose to each other.

13 Bleed braking system (42-010).



14 Check protective cap (38) for steering lock on lower control arm (3). Mount new protective cap, if required.



- 15 Check control arm position of front axle.
- 16 Check wheel adjusting values on front axle (40–320).
- 17 Check headlight adjustment.