

Tightening torques	Nm
Hex. nut for supporting joint	80
Hex. nut for guide joint	60
Hex. bolts of upper control arm bearing	60
Hex. bolts for steering knuckle arm	80
Self-locking hex. head screw for fastening rpm sensor to steering knuckle	8

Special tools

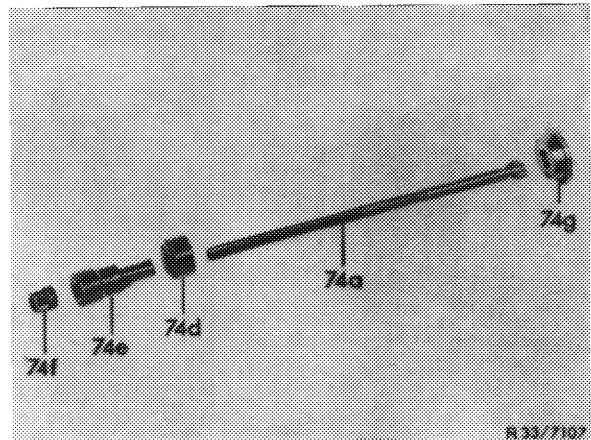
Spring tensioner for front spring	107 589 03 31 00
Remover for supporting and guide joint	115 589 02 33 00
Socket wrench insert 24 mm, 1/2" square drive for spring tensioner	116 589 01 09 00

Notes

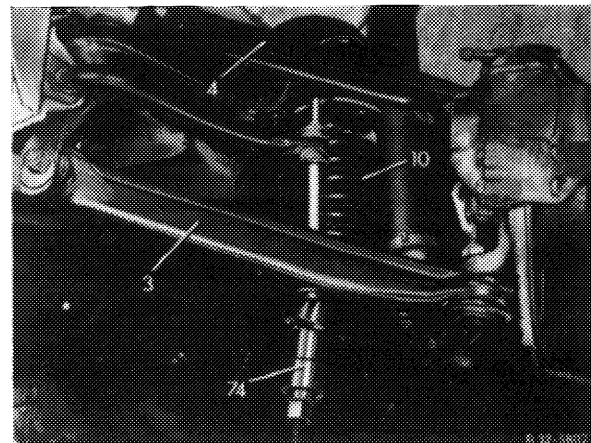
When the work is done above the pit, do not mount supports for jacking-up the vehicle as usual on frame floor, but outside under lower control arms. The front shock absorbers should remain installed.

If, for example when working on the lifting platform, the lower control arm cannot be supported, secure by inserting spring tensioner (74).

- 74a Tensioning bolt
- 74d Lower thrust piece
- 74e Guide bushing
- 74f Collar nut
- 74g Clamp plate



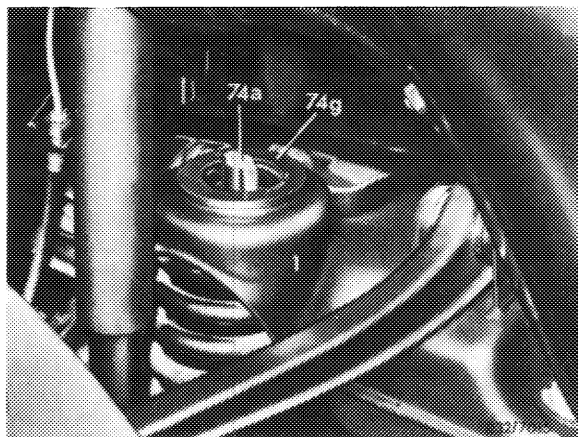
- 3 Lower control arm
- 4 Upper control arm
- 10 Front spring
- 74 Spring tensioner



For this purpose, place the additional plate of spring tensioner against spring dome of front axle carrier. In such a case, the shock absorber can also be removed.

Never loosen the hex. nuts of the guide joint and the supporting joint with the shock absorber removed without inserting the spring tensioner.

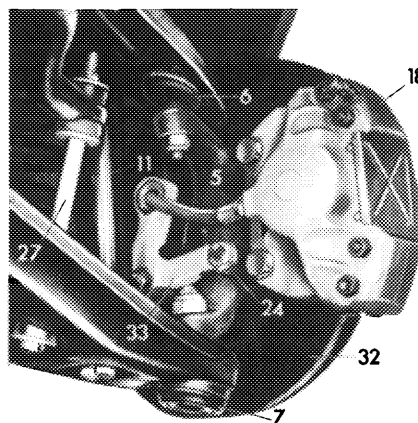
- 1 Front axle carrier
- 74a Tensioning bolt
- 74g Clamping plate



Removal

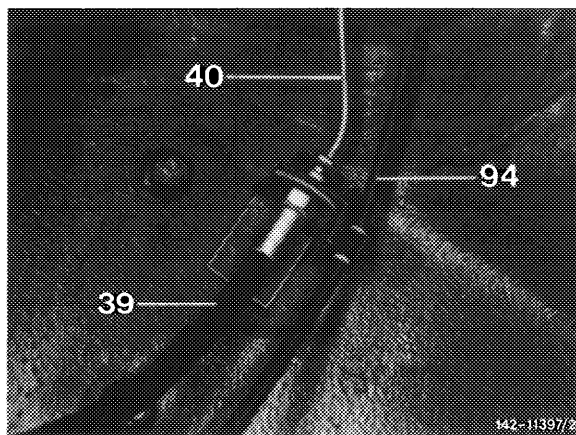
- 1 Unscrew steering knuckle arm from steering knuckle.

- 5 Steering knuckle
- 6 Guide joint
- 7 Supporting joint
- 11 Front shock absorber
- 24 Steering knuckle arm
- 27 Torsion bar connecting linkage
- 32 Cover plate for front wheel brake
- 33 Holder for brake hose



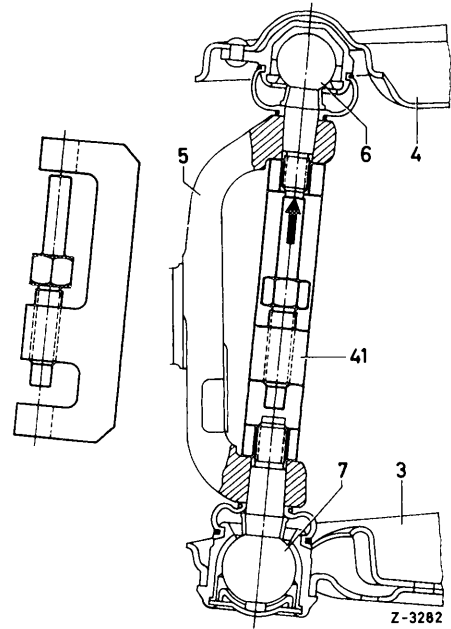
R 32-5609

- 2 Separate brake line (40) and brake hose (39) from each other, close connections with rubber plugs.



142-11397/2

3 Unscrew hex. nut on guide joint (6) and on supporting joint (7). Remove guide joint from steering knuckle with remover (41).



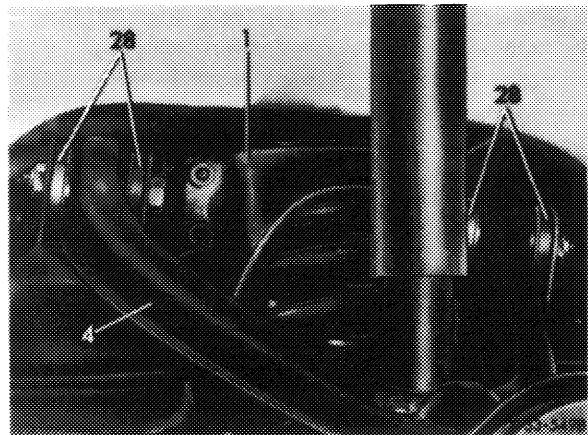
- 3 Lower control arm
- 4 Upper control arm
- 5 Steering knuckle
- 6 Guide joint
- 7 Supporting joint
- 41 Remover

4 Unscrew both hex. nuts of the upper control arm mounting and remove control arm.

Installation

5 Attach upper control arm to front axle carrier. During insertion, make sure that the sealing lips of the rubber slide bearings are not damaged.

- 1 Front axle carrier
- 4 Upper control arm
- 28 Rubber slide bearing



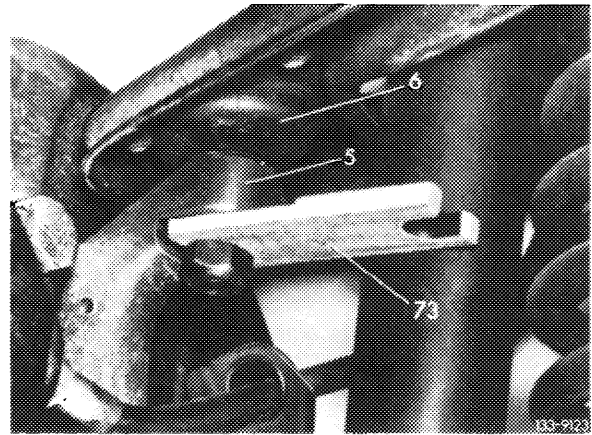
Caution! Mount **the front bolt** of the two hex. bolts always **from the rear in forward direction**, the **rear bolt from the front in rearward direction**.

6 Attach guide and supporting joint to steering knuckle. Make sure that the seats of the ball pins for the guide and supporting joint are free of grease.

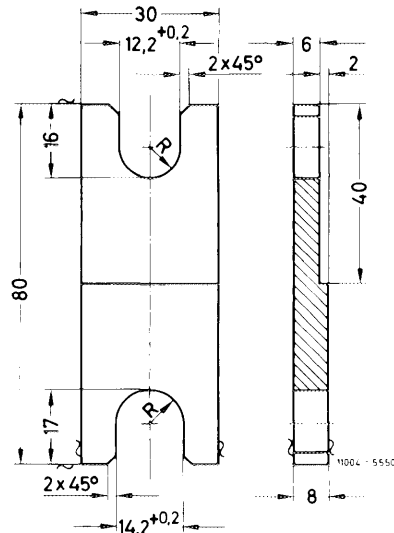
7 If the ball pin on the guide or supporting joint keeps turning when the hex. nut is being tightened, insert a spacing piece and pull the ball pin cone into the steering knuckle by tightening the hex. nut.

Then loosen hex. nut, remove spacing piece and tighten hex. nut to the prescribed torque.

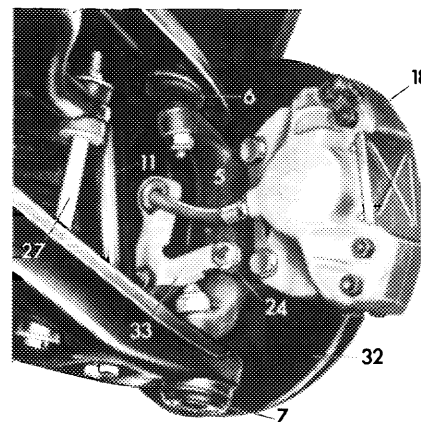
- 5 Steering knuckle
- 6 Guide joint
- 73 Spacing piece



The spacing piece can be self-made.



8 Install steering knuckle arm using new holder for brake hose.



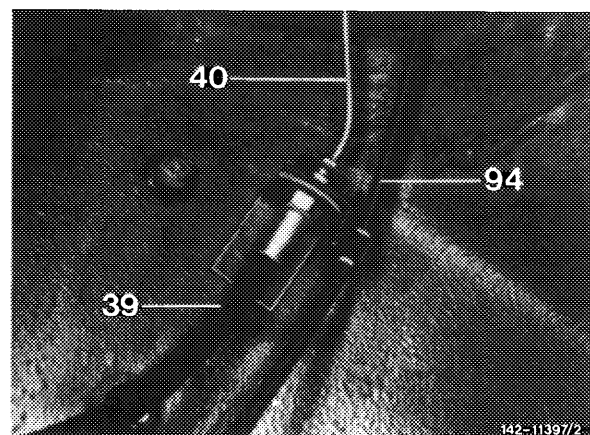
R 32-5609

9 Connect brake line and brake hose to each other.

10 Bleed braking system (42-010).

11 Check wheel adjusting values on front axle (40-320).

12 Check headlight adjustment.



142-11397/2