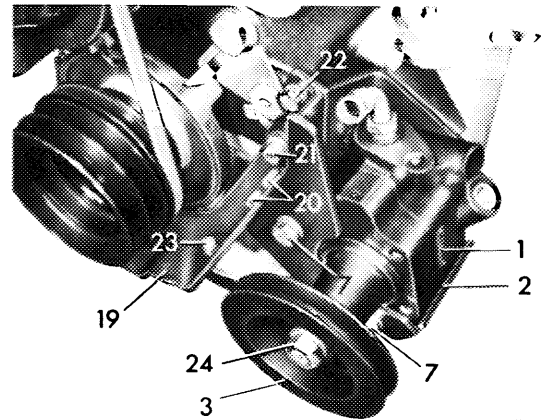


## Support and pump attachment 1st version

### Tightening torques

	Nm	(kpm)
Hex. socket screw (item 17)	70	(7)
Hex. bolt (item 22)	35	(3.5)
Hex. bolt (item 20)	25	(2.5)
Hex. socket screw (item 21)	35	(3.5)
Hex. bolt (item 7)	70	(7)
Hex. bolt (item 4)	35-40	(3.5-4)

- Retighten hex. bolts and hex. socket screws (17, 20, 21 and 22) for attaching support (2) to cylinder crankcase and bracket (19). The tightening torques named are approximate values.



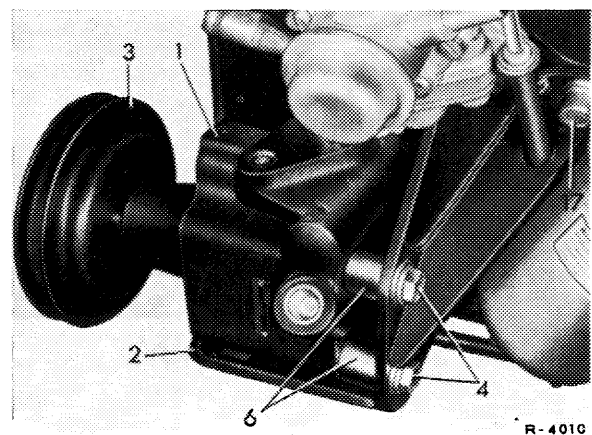
R-4013

7 Hex. bolt  
20 Hex. bolt

21 Hex. socket screw  
22 Hex. bolt

- Retighten hex. bolts (4 and 7) for attaching power steering pump to support. The tightening torques named are approximate values.

- Retighten hex. bolt for attaching support to upper half of oil pan.

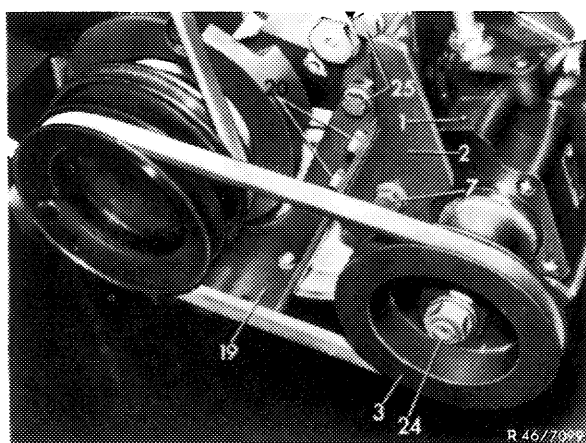


R-4016

4 Hex. bolt  
17 Hex. socket screw

### Support and pump attachment 2nd version

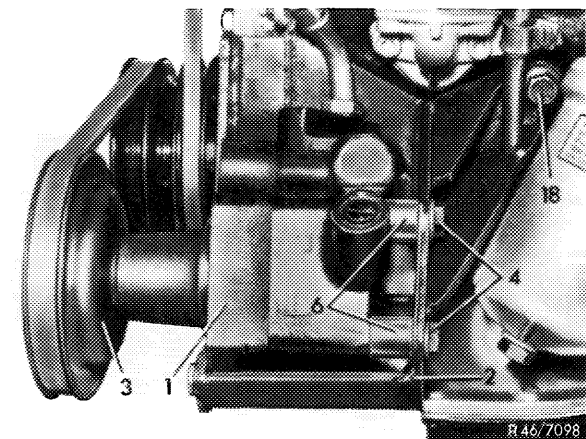
Tightening torques	Nm	(kpm)
Locking bolt (item 18)	80	(8)
Locking bolt (item 25)	40	(4)
Hex. bolt (item 20)	25	(2.5)
Locking bolt (item 7)	80	(8)
Hex. bolt (item 4)	35–40	(3.5–4)



7 Locking bolt  
20 Hex. bolt

25 Locking bolt

- Retighten hex. bolt and locking bolts (18, 20 and 25), for attaching support (2) to cylinder crankcase and bracket (19). The tightening torques named are approximate values.



4 Hex. bolt

18 Locking bolt

- Retighten hex. bolts and locking bolts (4 and 7) for attaching power steering pump to support. The tightening torques named are approximate values.
- Retighten locking bolt for attaching support to upper half of oil pan.