

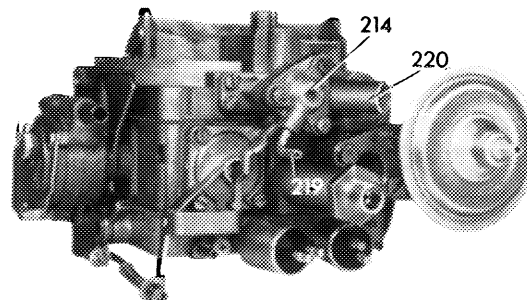
Engine 110 model year 1974, California Emission Control System

## Test No. 1

Turn off engine. Disconnect grey vacuum line of the float chamber vent valve (214) at the connection on the carburetor.

### Result:

There should be no vacuum present. Reconnect vacuum line.



## Test No. 2

Start engine and again remove vacuum line.

107-8977

### Result:

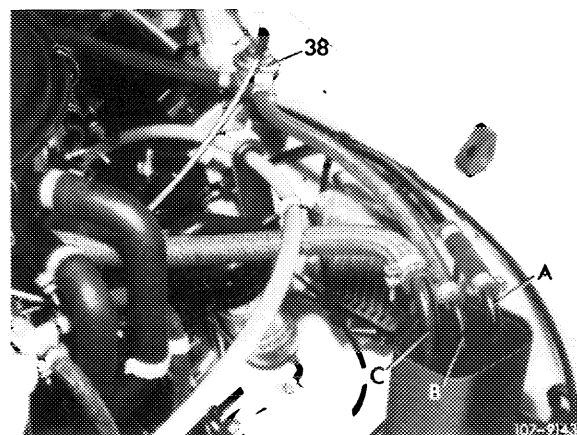
Vacuum should be present (hissing sound).

## Test No. 3

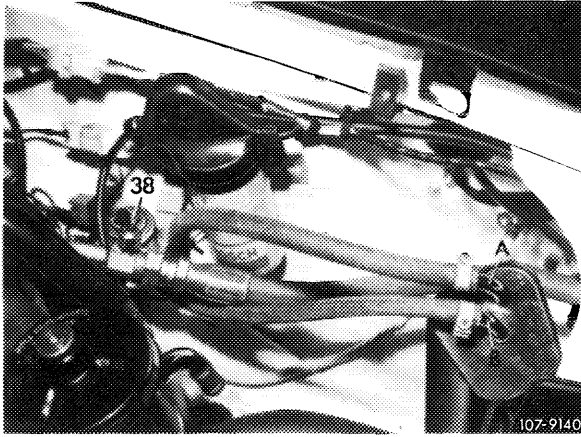
Remove the thin center hose on the charcoal canister (B) and close the hose opening with your finger. Increase engine speed slowly to more than 2000/min.

### Result:

During idle, a slight vacuum should be present. The vacuum should increase with rising engine speed.



Engine 117 model year 1974, California Emission Control System



### **Test**

Remove the thin hose on the charcoal canister (B) and close the hose opening with your finger. Increase engine speed slowly to more than 2000 rpm.

### **Result:**

During idle, a slight vacuum should be present. The vacuum should increase with rising engine speed.