

All gasoline engines, Model year 1972 to 1974

Test values with warm engine

Pressure in bar (atü)

Min. compression with model year 1972 to 1974

approx. 7.5

Permissible difference between individual cylinders

max. 1.5

Special tool

Compression pressure recorder, complete

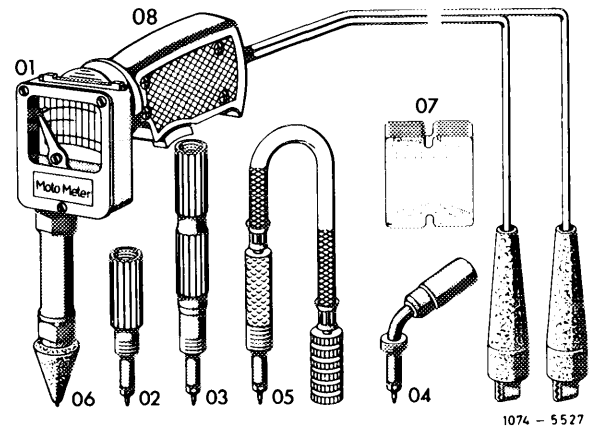
001 589 46 21 00

Note

Check cylinders for leaks when minimum compression pressure is too low.

Disconnect cable from ignition coil terminal 1.

- Connect contact handle to + battery and terminal 50 to crank engine.
- Crank engine several times with ignition switched off and spark plugs removed to throwout residue and soot.



- Push compression pressure recorder into spark plug bore of respective cylinder.

- Crank engine for approx. 8 revolutions for measuring while accelerating.

Measure all cylinders in this manner, but put data sheet in compression pressure recorder into new working position first each time.

