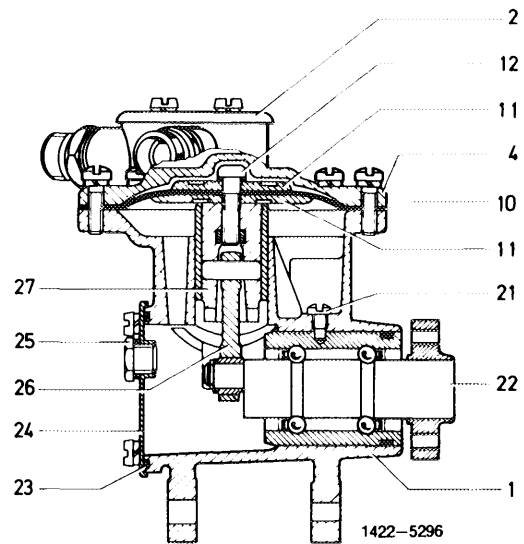


## Filling of vacuum pump

Refill capacity 40 cc multi-grade oil

refer to „Specifications for Service Products“ page 226

- Unscrew closing plug (25) from cover (24) and use oil can to add enough oil into pump chamber until oil comes out of tapped hole for closing plug.
- Turn engine until the arrow on the hub of the eccentric shaft (22) points to the casting seam on the housing. In this position the diaphragm is at TDC.
- Screw-in closing plug with new sealing ring. Attach vacuum pump to cylinder crankcase, making sure of correct V-belt tension.



- 22 Eccentric shaft
- 24 Cover
- 25 Closing plug