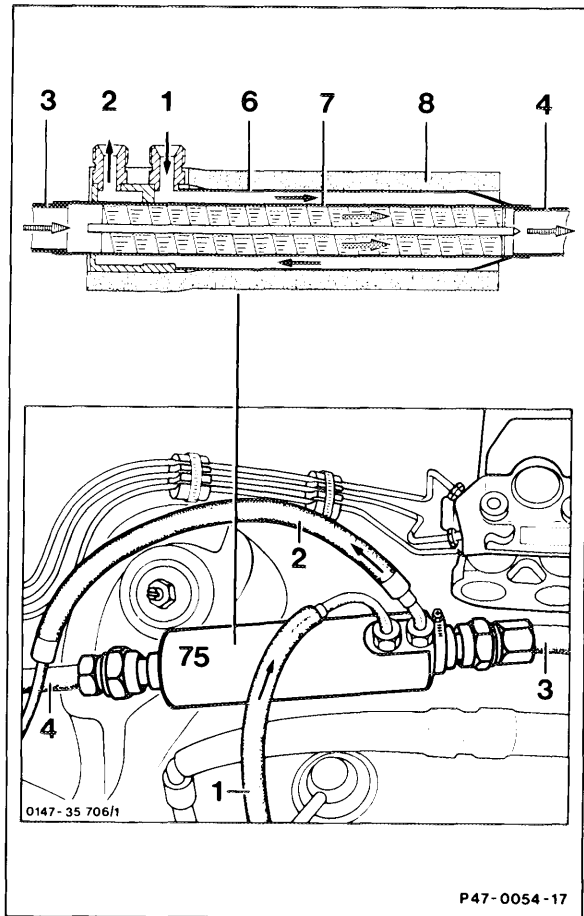


- 1 Fuel feed
- 2 Fuel return
- 3, 4 Refrigerant return
- 6 Outer tube
- 7 Inner tube
- 8 Insulating hose
- 75 Fuel cooler



To reduce the formation of vapor bubbles in the fuel system at high outside temperatures, a fuel cooler is fitted. It is located in the refrigerant return line between evaporator and air conditioning compressor. The fuel cooler is attached at the vehicle side.

When the engine is running, the excess fuel in the fuel distributor flows back through the fuel cooler into the fuel tank.

So long as the air conditioning compressor is switched on, heat is withdrawn from the fuel by the gaseous refrigerant which is flowing through the inner tube of the fuel cooler.