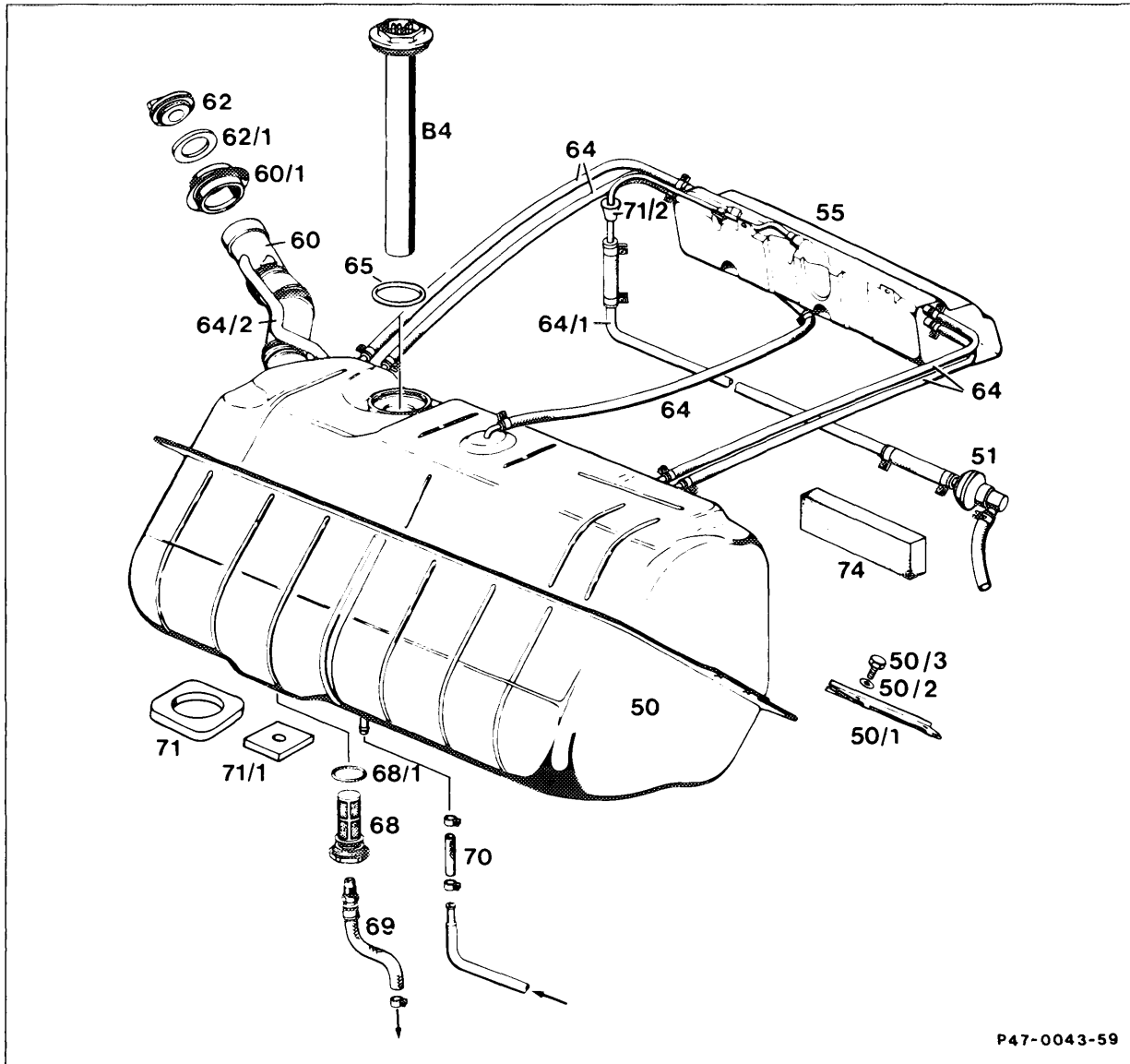


47-100 Removing and installing fuel tank

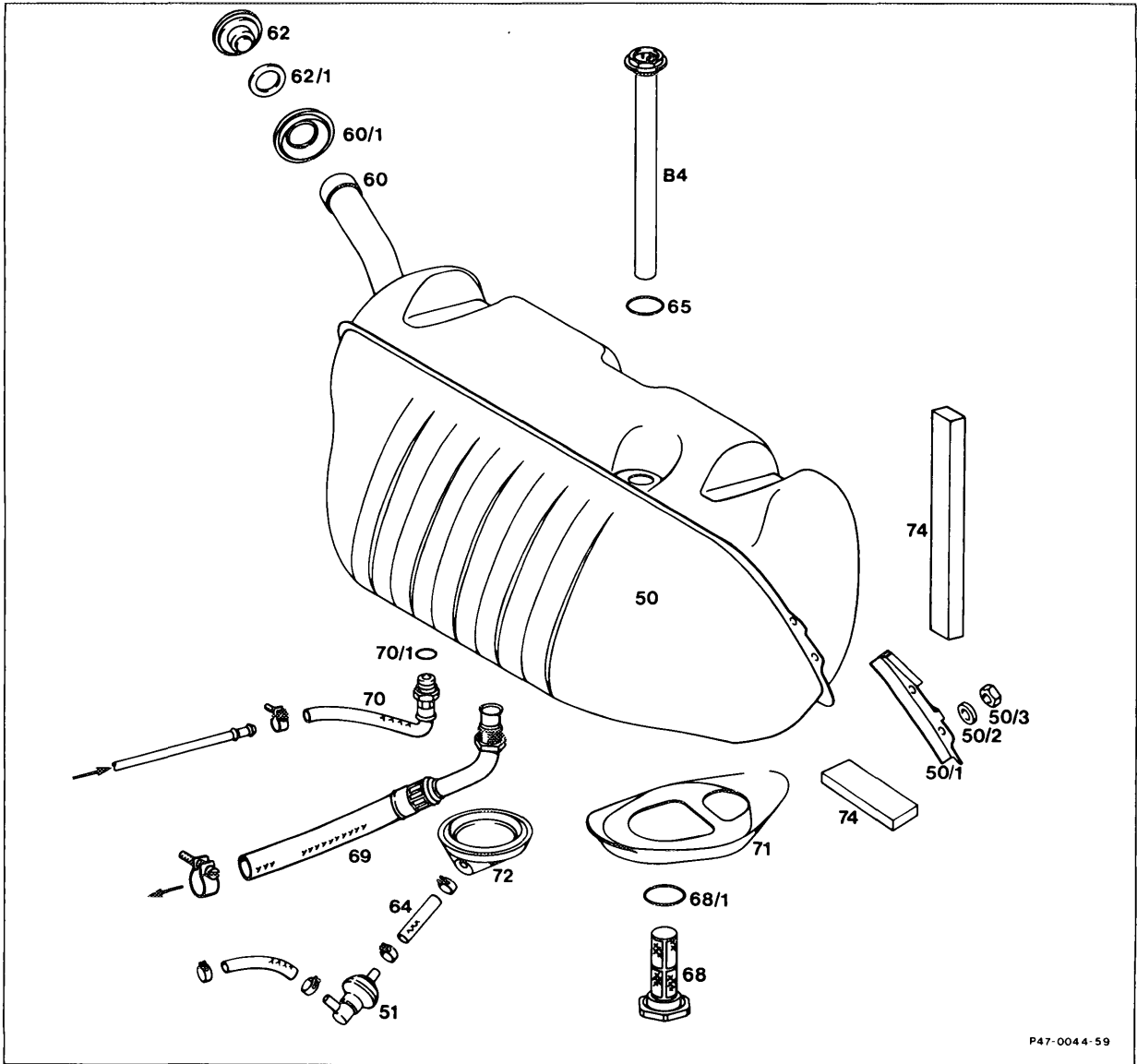
Preceding work:

Model 107: Removing fuel expansion tank (47-110).



P47-0043-59

Model 107



P47-0044-59

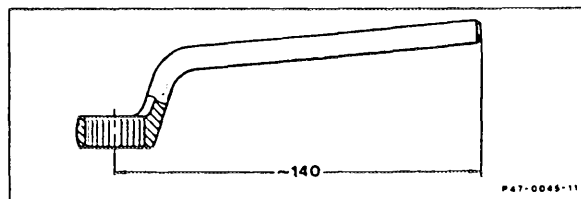
Model 126

⚠	Observe safety instructions. Risk of accident!
Battery ground cable	disconnect, connect.
Filler cap (62)	remove, close. Check seal (62/1), renew if necessary.
Fuel tank (50)	drain, pump out fuel completely. Capacity Model 107 approx. 85 liters. Capacity Model 126 approx. 90 liters.
Cup seal (60 1)	release, push in.
Trunk fuel tank partition wall	remove and install (68-0700).
Connector at fuel gauge sending unit (B4)	detach, plug in.

- Feed line (69), return line (70) disconnect, connect.
Model 126
 additionally detach vent valve (51). Use shortened open-end wrench for return line.
Installation
 Model 107 feed line (69), 28 Nm.
 Model 126 ensure cup seals (71, 72) are correctly fitted. Renew seal (70/1).
 Feed line (69), 28 Nm.
 Return line (70), 35 Nm.
- 4 nuts (50/3) or bolts (50/3) unscrew, screw on, 21 Nm. Pay attention to washers (50/2).
- Fuel strainer (68) remove and install, if necessary, 39 Nm.
Model 107
 Screw in M 18 x 1.5 bolt with locking nut in place of screw connection. Tighten locking nut and unscrew fuel strainer, clean. Renew seal (68/1).
- Fuel tank (50) remove.
Installation
 Stick on packings (71, 71/1) and soundproofing strips (74).
 Use universal adhesive 000 989 92 71.
Model 107
 Install bracing plates (50/1) with strengthened side between bracket and fuel tank.
- Engine start. Check connections for leaks.

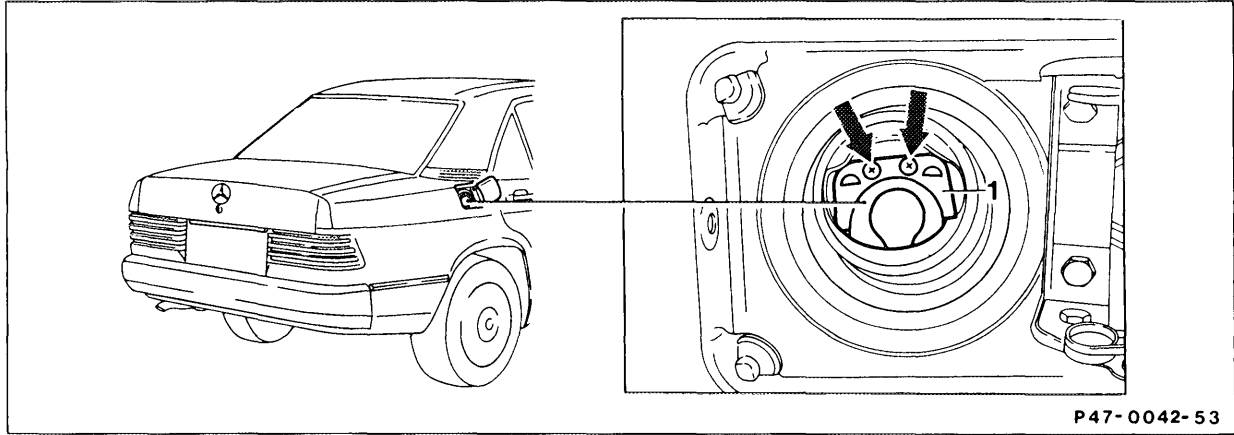
Shop-made tool

Shorten commercial, deep-offset box wrench as shown in drawing.



Note

The filler restrictor for the smaller pump nozzle (unleaded fuel) must be reinstalled when renewing the fuel tank.



Filler restrictor (1)

remove and install. Withdraw the rivets (arrows) with special tool 123 589 05 33 00.



Rivets must not drop into the fuel tank. They prevent proper operation of the steadying bowl (reserve fuel quantity cannot be used).

Installation

Knock in rivets with mandrel.

Special tool

