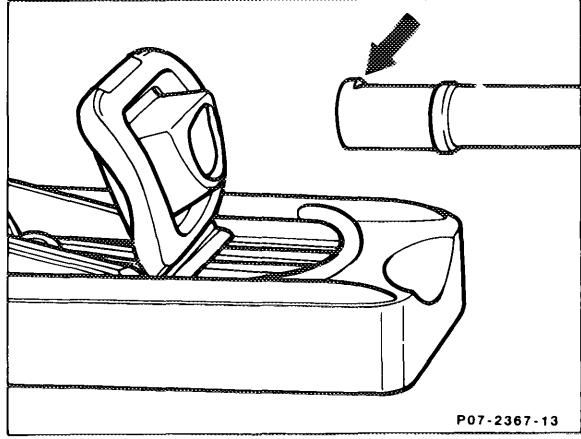
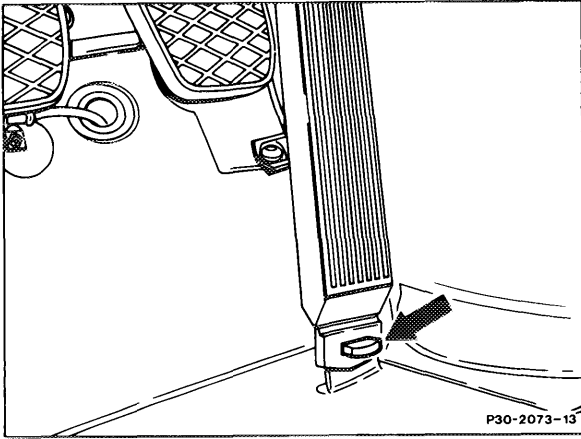


**30-330 Removing and installing, renewing accelerator pedal**



<p>Spreader clip (arrow) .....</p> <p>Accelerator pedal Model 107 .....</p> <p>Accelerator pedal Model 126 .....</p> <p>Installation .....</p>	<p>behind accelerator pedal, compress and remove.</p> <p>withdraw down the way.</p> <p>push up the way and turn through 180°. Pull off accelerator pedal down the way. The lug (arrow) on the accelerator pedal lever must be aligned with the slot in the accelerator pedal.</p> <p>Installation is performed in the reverse order. Ensure that the spreader clip correctly engages.</p>
------------------------------------------------------------------------------------------------------------------------------------------------	-------------------------------------------------------------------------------------------------------------------------------------------------------------------------------------------------------------------------------------------------------------------------------------------------------------------------------------------------------------------------------------------

The linkage from accelerator pedal lever to accelerator pedal is maintenance-free and does not require to be greased.