

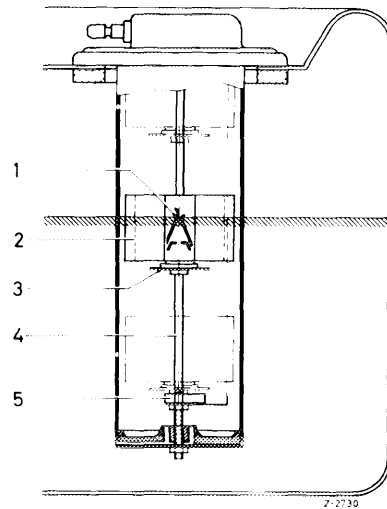
47-715 Functional description of immersion tube transmitter for fuel gauge

When the fuel level drops, the sliding contact (1) on float (2) of immersion tube transmitter increases the resistance, the voltage drops and the needle in instrument will swing back.

When the fuel level drops still further, the reserve warning contact (5) in immersion tube transmitter is closed and will connect the reserve warning light to ground.

Immersion tube transmitter

- 1 Sliding contact
- 2 Float
- 3 Contact plate
- 4 Guide and contact rod
- 5 Reserve warning contact



The fuel gauge (indicating instrument) and the reserve warning lamp are energized via fuse when the ignition is switched on.

- 1 Immersion tube transmitter
- 2 Fuel gauge
- 3 Fuse

