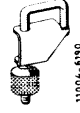


## 07.3–270 Removal and installation of fuel storage reservoir

---

### Special tool

Clamp for fuel hose



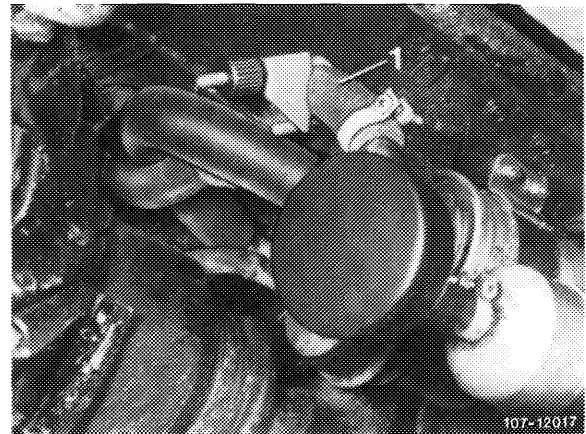
000 589 40 37 00

---

### Removal

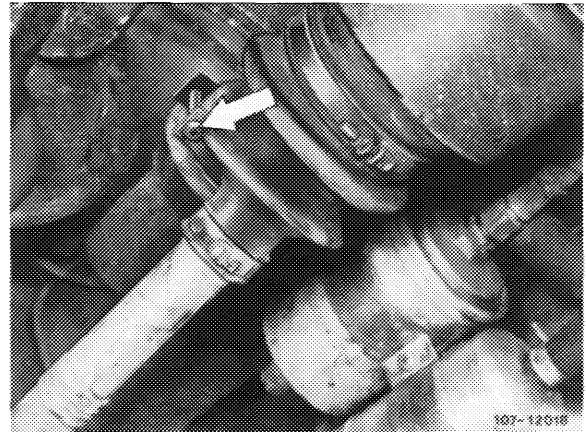
---

- 1 Unscrew protective box.
- 2 Pinch off fuel suction hose (1) with a clamp.
- 3 Pinch off fuel feed hose.

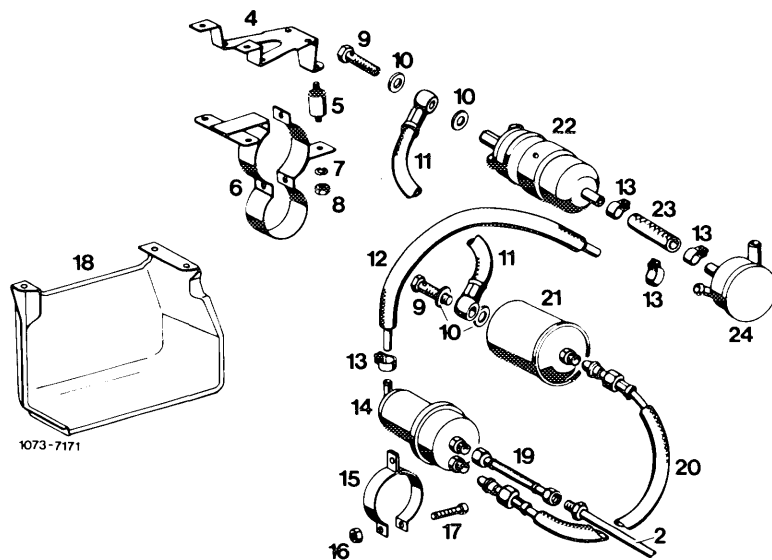


### 1st version

- 4 Unscrew both fuel hoses on fuel storage reservoir, pinch off leak hose, loosen and pull off.
- 5 Loosen fastening screws (arrow) for clamp and remove fuel storage reservoir.
- 6 For installation proceed vice versa. Make sure of correct connection of fuel hoses. Mount fuel feed hose to center connection of fuel storage reservoir.



- 2 Fuel feed line
- 4 Holder
- 5 Vibration damper
- 6 Holder
- 7 Circlip
- 8 Nut
- 9 Hollow screw
- 10 Sealing ring
- 11 Fuel hose
- 12 Fuel hose
- 13 Hose clip
- 14 Fuel storage reservoir
- 15 Holder
- 16 Nut
- 17 Screw
- 18 Protective box
- 19 Fuel hose
- 20 Fuel hose
- 21 Fuel filter
- 22 Fuel pump
- 23 Fuel hose
- 24 Damper



## 2nd version

7 Unscrew fuel line on fuel reservoir, also pinch leak hose, loosen and pull off.

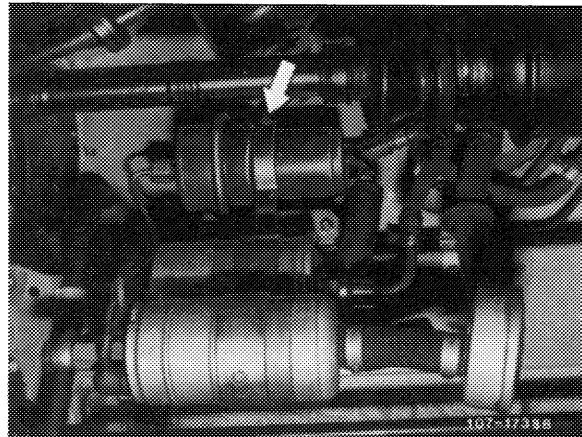
8 Loosen fastening screw (arrow) for clamp and remove fuel reservoir.

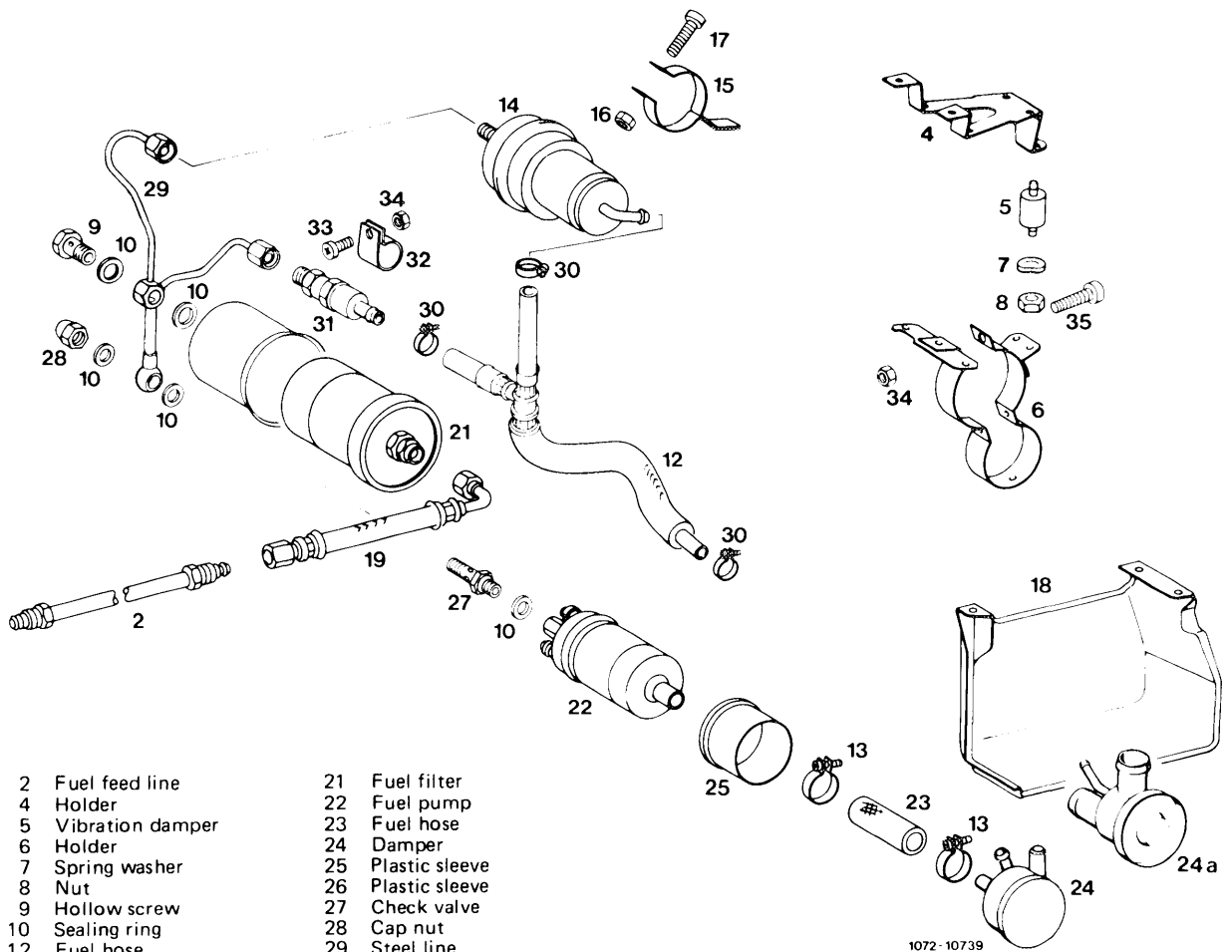
9 For installation proceed vice versa.

10 Remove clamp on fuel suction hose.

11 Run engine and check for leaks.

12 Mount protective box.





- |    |                  |    |                       |
|----|------------------|----|-----------------------|
| 2  | Fuel feed line   | 21 | Fuel filter           |
| 4  | Holder           | 22 | Fuel pump             |
| 5  | Vibration damper | 23 | Fuel hose             |
| 6  | Holder           | 24 | Damper                |
| 7  | Spring washer    | 25 | Plastic sleeve        |
| 8  | Nut              | 26 | Plastic sleeve        |
| 9  | Hollow screw     | 27 | Check valve           |
| 10 | Sealing ring     | 28 | Cap nut               |
| 12 | Fuel hose        | 29 | Steel line            |
| 13 | Hose clamp       | 30 | Hose clamp            |
| 14 | Fuel reservoir   | 31 | Pressure relief valve |
| 15 | Holder           | 32 | Clamp                 |
| 16 | Nut              | 33 | Screw                 |
| 17 | Screw            | 34 | Nut                   |
| 18 | Protective box   | 35 | Screw                 |
| 19 | Fuel hose        |    |                       |

1072-10739