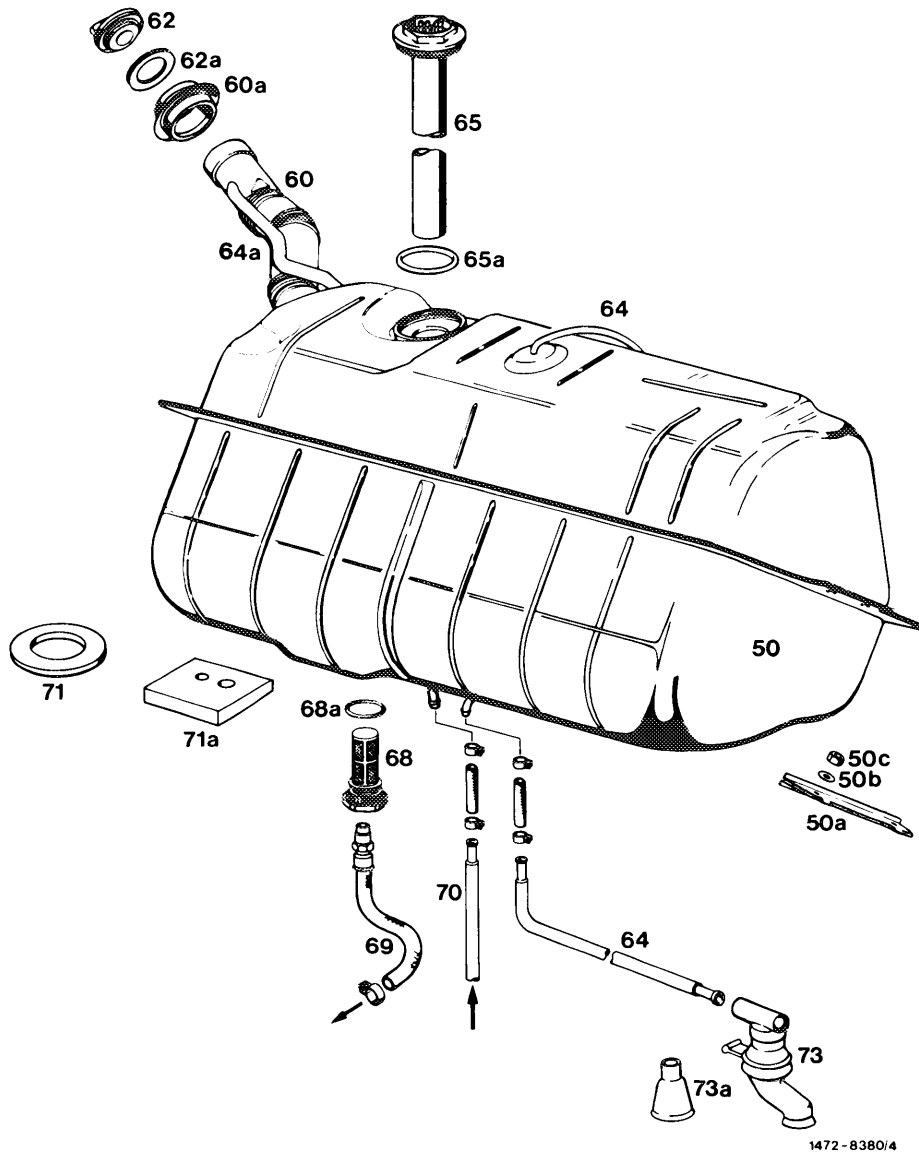





A. Model 107.02



50 Fuel tank . . . . .	Pump of fuel (item 2)
50a Reinforcing panel, 2 each . . . . .	Be sure to use (risk of tearing)
50b Washer, 4 each . . . . .	Use large washers only
50c Nut, 4 each . . . . .	21 Nm
60 Filler neck	
60a Sealing sleeve . . . . .	Pay attention to correct seat
62 Cap	
62a Sealing ring	
64 Vent lines	
64a Negative vent line	
65 Immersion tube transmitter . . . . .	39 Nm, check function (battery connected)
65a Sealing ring . . . . .	Renew
68 Fuel filter . . . . .	Clean, check for re-use. 39 Nm
68a Sealing ring . . . . .	Renew
69 Suction hose . . . . .	Check for re-use. 28 Nm
70 Return flow	
71 Gasket . . . . .	Item 7a
71a Gasket . . . . .	Item 7a
73 Vent sleeve . . . . .	Starting March 1979 (47-030)
73a Protective sleeve . . . . .	(47-030)
74 Damping shim, 2 each . . . . .	Item 7b

**Filling capacity in liters**

	Total	Reserve
Up to September 1981	approx. 90	approx. 13
Starting October 1981		
  starting 1982	approx. 85	approx. 11.5
 starting 1981		

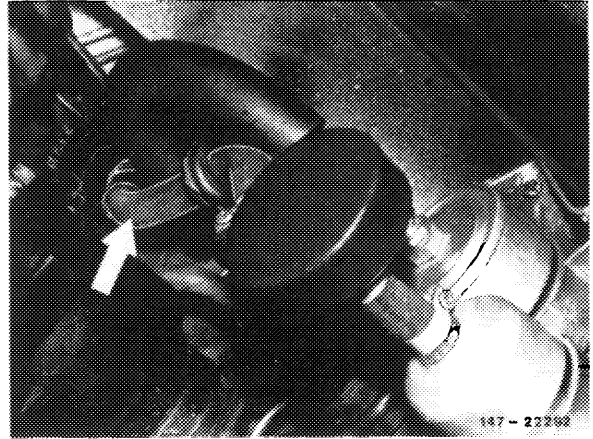
**Attention!**

When removing fuel tank, pay attention to safety rules.

**Removal**

- 1 Disconnect grounding line on battery.
- 2 Drain fuel tank. Carefully pump off fuel, so that no residual quantity remains in fuel tank.

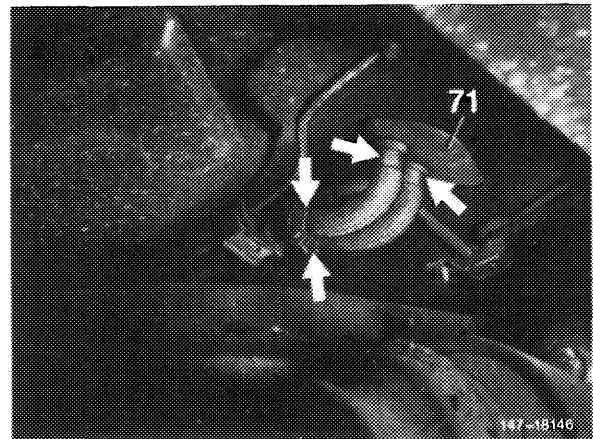
3 Loosen suction hose, return flow hose and vent hose (arrows). Catch residual fuel in hoses. Close hoses and connections.



4 Remove partition trunk/fuel tank.

5 Pull off coupling for fuel gauge on immersion tube transmitter.

6 Unscrew nuts (arrows) and remove fuel tank.



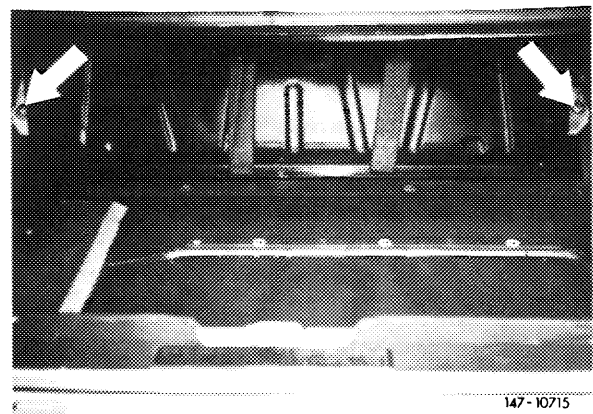
#### Installation

7 Install fuel tank in vice versa sequence, proceed as follows:

a) Glue down both gaskets on underside of fuel tank e.g. with MB universal glue, part No. 000 989 92 71. For installation, coat both gaskets on sealing surface or bead with sliding compound (talcum, wax or the like).

b) Check whether damping shims on fuel tank are tightly fastened, glue down with e.g. MB universal glue, part No. 000 989 92 71, if required.

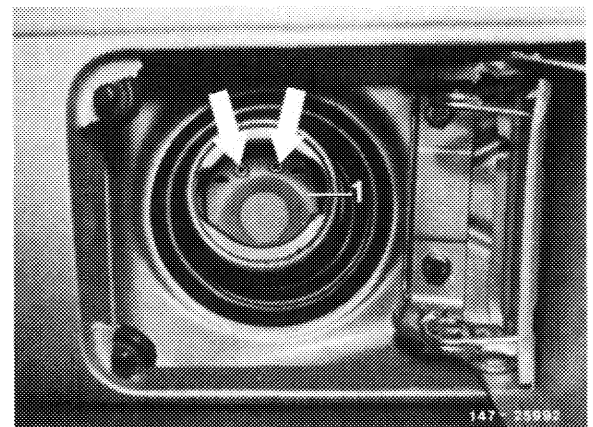
c) Check fuel system for leaks.



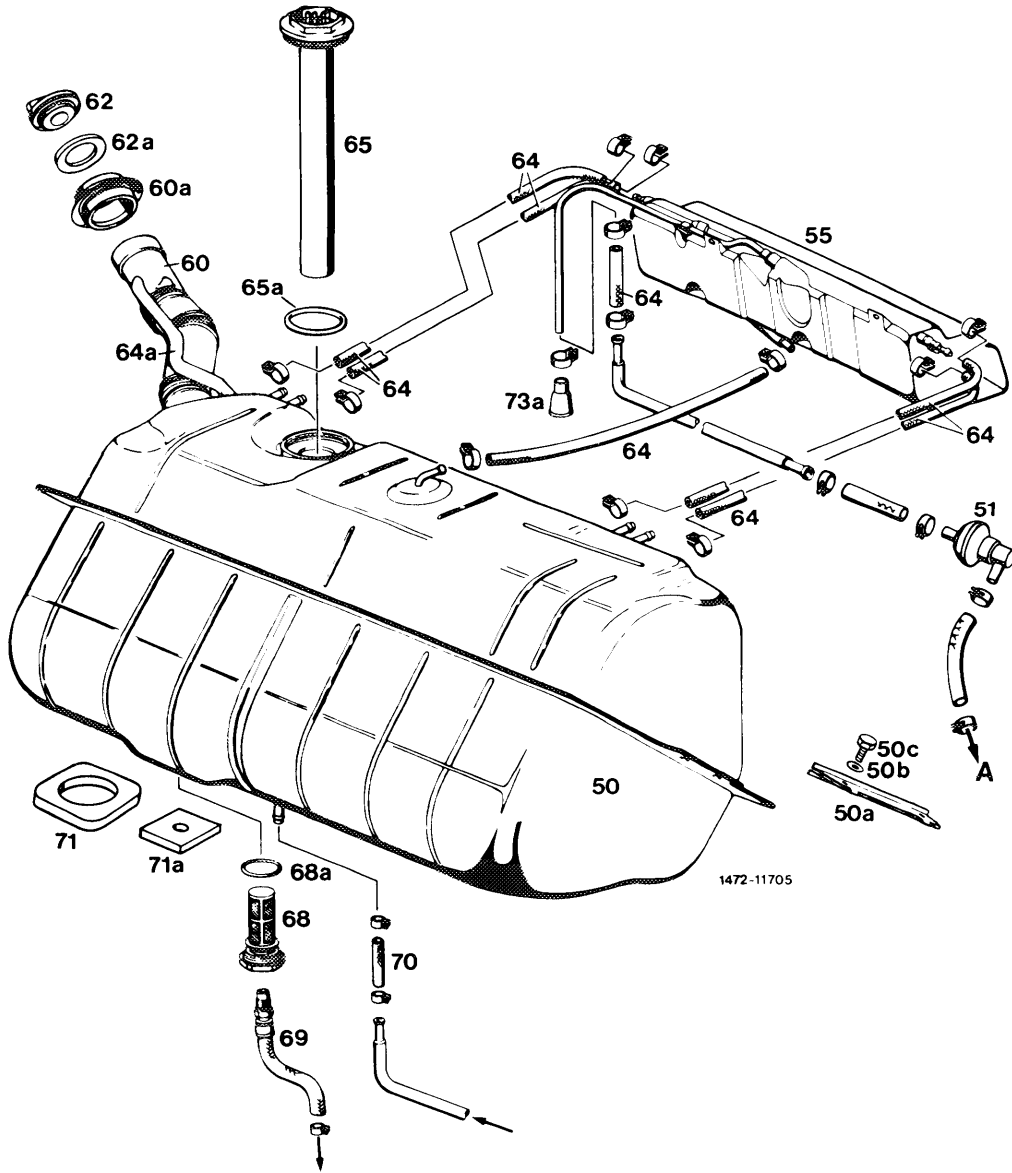
#### Vehicles with catalytic converter

A guide funnel (1) is installed in filler neck owing to the small filling nozzles for leadfree fuel of these vehicles.

If a fuel tank on these vehicles is renewed, simultaneously install a guide funnel. For this purpose, place guide funnel into filler neck and knock in fastening rivets (arrows) with a mandrel up to stop.






B. Model 107.04



50	Fuel tank . . . . .	Pump off fuel (item 2)
50a	Reinforcing panel, 2 each . . . . .	Be sure to use (risk of tearing)
50b	Washer, 4 each . . . . .	Use large washers only
50c	Screw, 4 each . . . . .	21 Nm
51	Vent valve . . . . .	On fuel evaporation control system
55	Expansion tank . . . . .	Apply counterhold to connection when tightening hose clamps (risk of breaking off)
60	Filler neck	
60a	Sealing sleeve . . . . .	Pay attention to correct seat
62	Cap	
62a	Sealing ring	
64	Vent lines . . . . .	Check for re-use
64a	Negative vent line	
65	Immersion tube transmitter . . . . .	39 Nm, check function (battery connected)
65a	Sealing ring . . . . .	Renew
68	Fuel filter . . . . .	Clean, check for re-use. 39 Nm
68a	Sealing ring . . . . .	Renew
69	Suction hose . . . . .	Check for re-use. 28 Nm.
70	Return flow hose . . . . .	Check for re-use
71	Gasket . . . . .	Item 7a
71a	Gasket . . . . .	Item 7a
73a	Protective sleeve	
A	To charcoal canister	

**Filling capacity in liters**

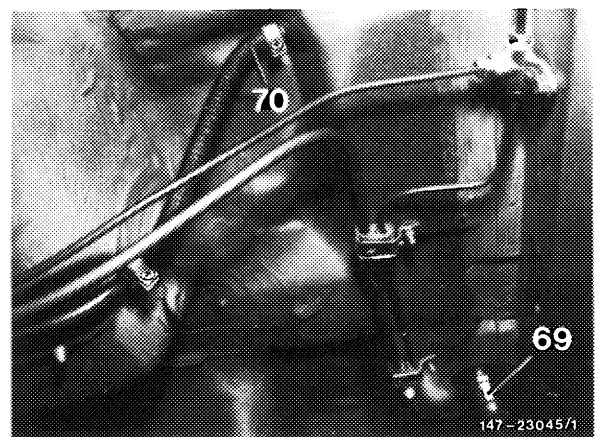
	Total	Reserve
Up to September 1981	approx. 90	approx. 13
Starting October 1981		
  starting 1982	approx. 85	approx. 11.5
 starting 1981		

**Attention!**

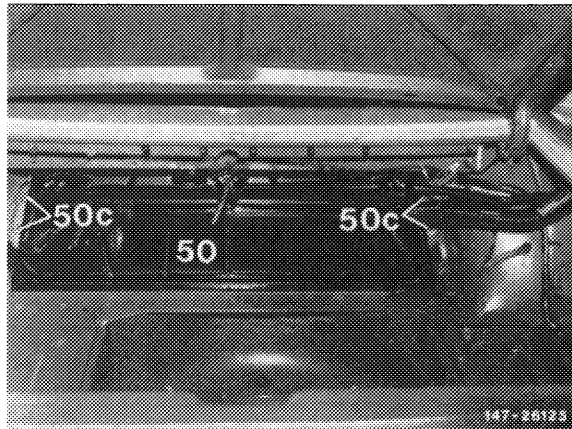
When removing fuel tank, pay attention to safety rules.

**Removal**

- 1 Disconnect grounding line on battery.
- 2 Drain fuel tank. Carefully pump off fuel, so that no residual quantity remains in fuel tank.
- 3 Remove fuel expansion tank (47–110).
- 4 Pull coupling for fuel gauge from immersion tube transmitter (47–120).
- 5 Remove suction hose (69) and return flow hose (70). Catch residual fuel in hoses. Close connections and hoses.



6 Unscrew screws (50c), remove fuel tank.



### Installation

---

7 Install fuel tank in vice versa sequence and proceed as follows:

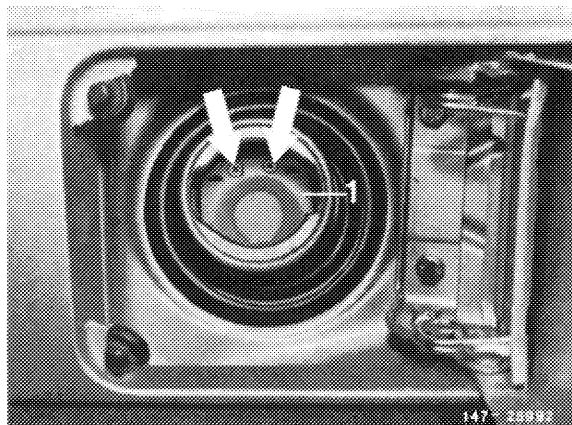
a) Glue down both gaskets on underside of fuel tank with MB universal glue, part No. 000 989 92 71. For installation, coat both gaskets on sealing surface or bead with sliding compound (talcum, wax or the like).

b) Check fuel system for leaks.

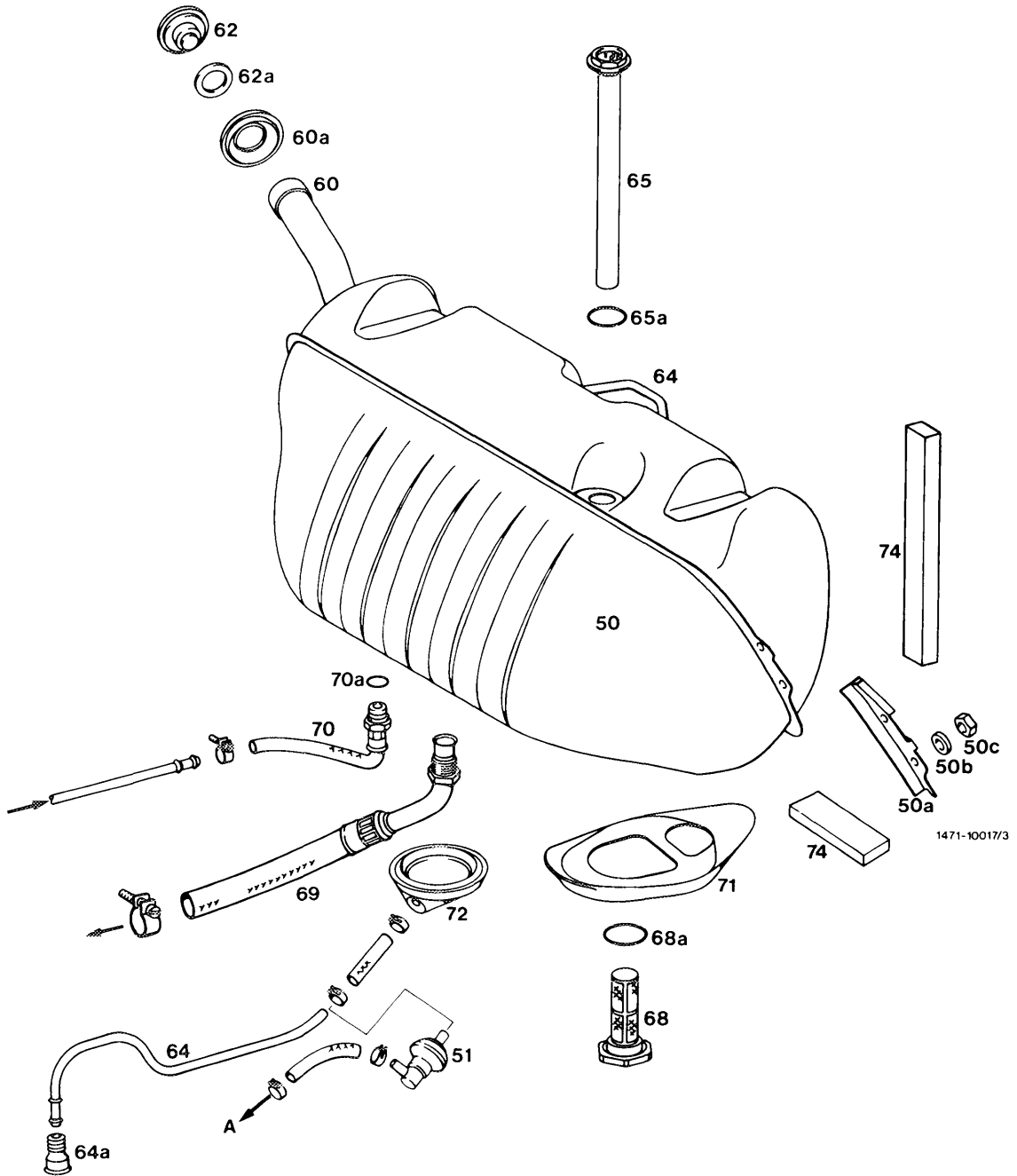
### Vehicles with catalytic converter

A guide funnel (1) is installed in filler neck owing to the small filling nozzles for leadfree fuel of these vehicles.

If a fuel tank on these vehicles is renewed, simultaneously install a guide funnel. For this purpose, place guide funnel into filler neck and knock in fastening rivets (arrows) with a mandrel up to stop.



C. Model 126



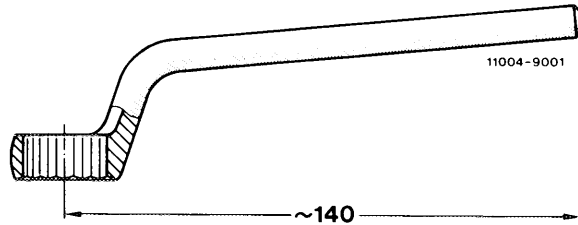
50	Fuel tank . . . . .	Pump off fuel (item 2)
50a	Reinforcing panel, 2 each . . . . .	Be sure to use (risk of tearing)
50b	Washer, 4 each . . . . .	Use large washers only
50c	Nut, 4 each . . . . .	21 Nm
51	Vent valve . . . . .	On fuel evaporation control system
60	Filler neck	
60a	Sealing sleeve . . . . .	Pay attention to correct seat
62	Cap	
62a	Sealing ring	
64	Vent line	
65	Immersion tube transmitter . . . . .	39 Nm
65a	Sealing ring . . . . .	Renew
68	Fuel filter . . . . .	Clean, check for re-use, 39 Nm, inside threads M 20 x 1
68a	Sealing ring . . . . .	Renew
69	Suction hose . . . . .	Check for re-use, 28 Nm, threads M 20 x 1
70	Return flow hose . . . . .	Check for re-use, renew sealing ring
71	Gasket . . . . .	Item 6a
72	Sealing sleeve	
73a	Protective sleeve	
74	Damping shim, 3 each or 1 each . . . . .	Item 6b
A	Charcoal canister . . . . .	On fuel evaporation control system

**Filling capacity in liters**

	Total	Reserve
	approx. 90	approx. 12.5

**Self-made tool**

Conventional, offset box-end wrench  
shorten according to drawing



**Attention!**

When removing fuel tank, pay attention to safety rules.

**Removal**

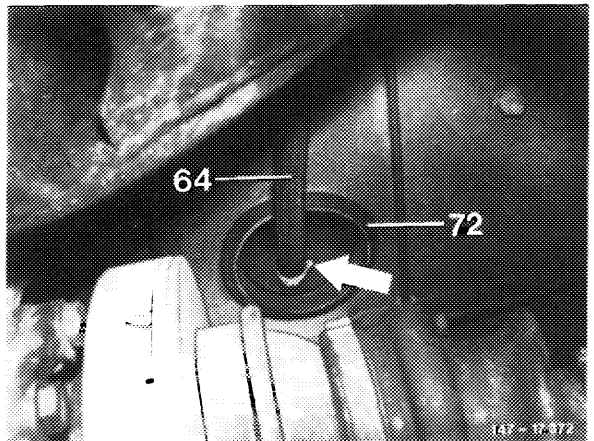
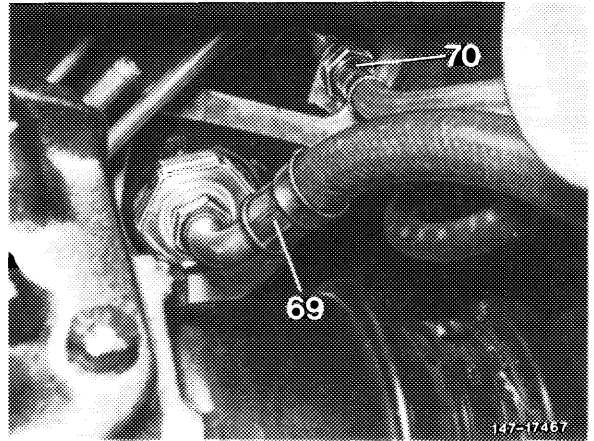
- 1 Disconnect grounding line on battery.
- 2 Drain fuel tank. Carefully pump off fuel, so that no residual quantity remains in fuel tank.



3 Loosen suction hose, return flow hose and vent hose. Catch residual fuel in hoses. Close hoses and connections.

**Note:** For loosening or tightening return flow hose (70) use a shortened box-end wrench (refer to self-made tool).

69 Suction hose  
70 Return flow hose

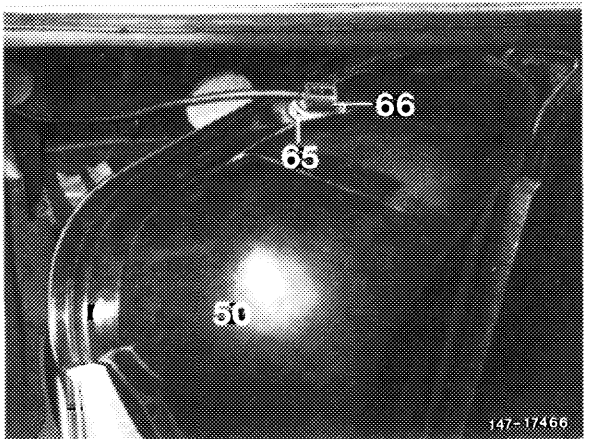
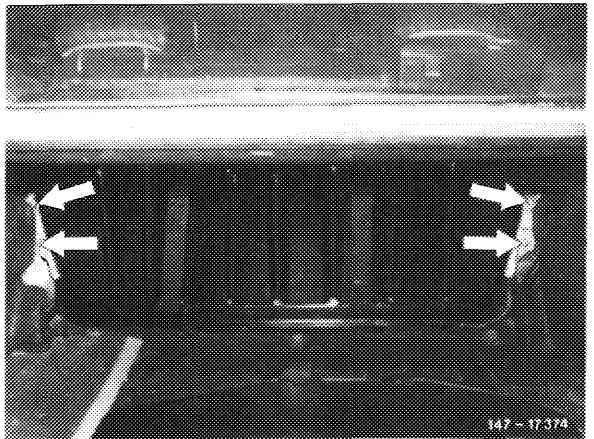


64 Vent hose  
72 Sealing sleeve

4 Remove partition trunk/fuel tank.

5 Unscrew nuts (arrows), remove fuel tank.

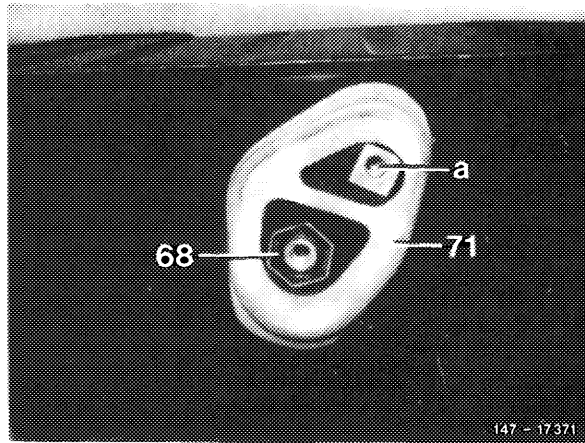
**Note:** When removing or installing fuel tank, make sure that coupling (66) for fuel gauge is pulled from or plugged on immersion tube transmitter (65).



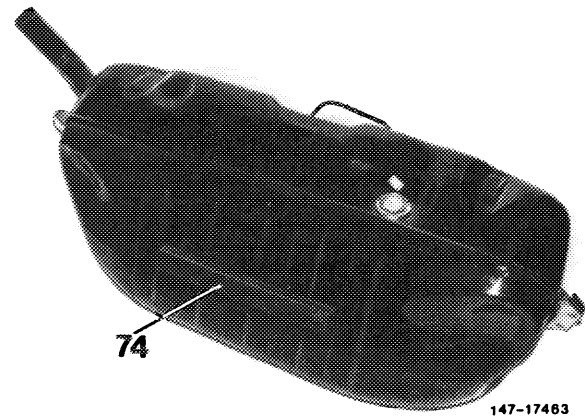
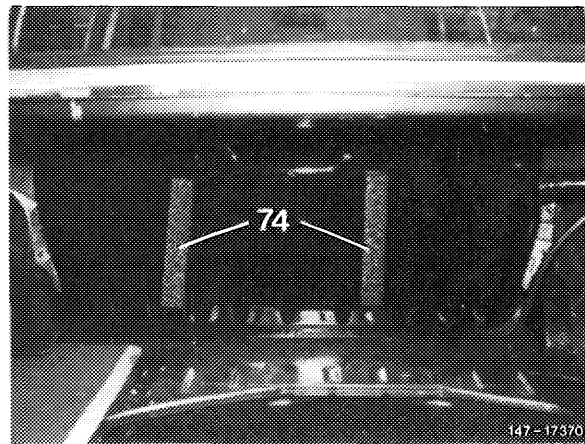
## Installation

6 Install fuel tank in vice versa sequence. Proceed as follows:

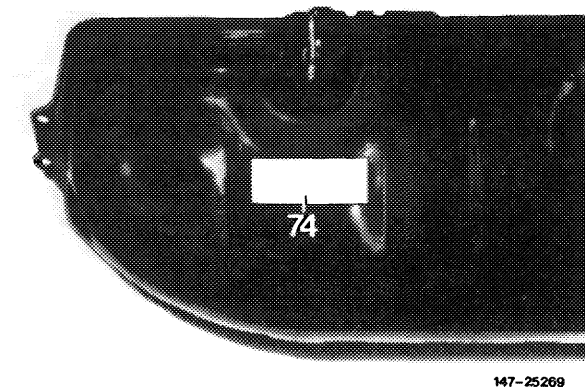
a) Check gasket (71) for tight seat and glue down with MB universal glue, part No. 000 989 92 71, if required. For installation, coat sealing bead with sliding compound (talcum, wax or the like).



b) Check damping shims (74) for tight seat and glue down with MB universal glue, part No. 000 989 92 71, if required.



The damping shim on underside of fuel tank is glued on vehicles starting February 1982.



### Vehicles with catalytic converter

A guide funnel (1) is installed in filler neck owing to the small filling nozzles for leadfree fuel of these vehicles.

If a fuel tank on these vehicles is renewed, simultaneously install a guide funnel. For this purpose, place guide funnel into filler neck and knock in fastening rivets (arrows) with a mandrel up to stop.

