

When installing a new engine or reconditioned engine without safety switch (19) on the air flow sensor and distributor rotor with engine speed limiter in vehicles which were previously equipped with such parts, the safety switch and the distributor rotor from the old engine should be used.

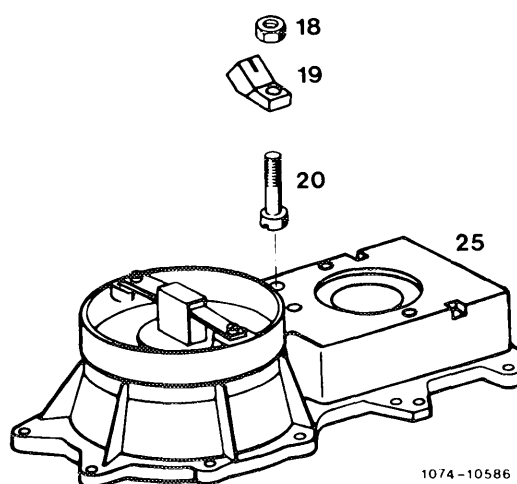
Installation

- 1 Remove mixture control unit from new engine.
- 2 Install safety switch (19) as shown in illustration opposite. Leave out the removed washer.

Attention!

When installing the safety switch, ensure that the insulating washer is correctly installed below the leaf spring.

- 3 Install distributor rotor with engine speed limiter in new engine.



1074-10586