

07.3—210 Reconditioning system pressure regulator and pressure compensating valve

Job No. of flat rates or standard texts and flat rates data 07—1553.

Test values

System pressure (engine cold or warm) at idle

5.0—5.6 bar gauge pressure

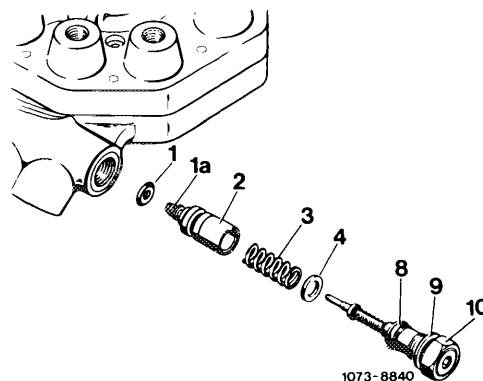
Conventional tools

Screwdriver element 992—T 30

e.g. Hazet, D—5630 Remscheid

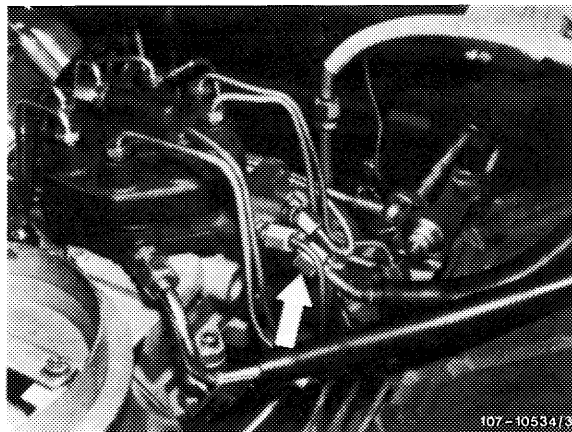
Note

The regulating piston of system pressure regulator is provided with a contour ring (1) with additional lock (1a). In the event of repairs, make sure that the O-ring or contour ring is mounted with correct regulating piston.



Reconditioning

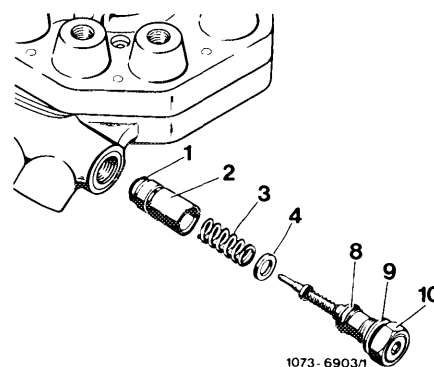
1 Reduce fuel pressure. For this purpose, loosen fuel return hose (arrow) on fuel distributor. Catch fuel with a rag. Tighten fuel return hose again.



2 Disassemble system pressure regulator. Unscrew closing plug (10). When screwing out, make sure that compression spring (3) and adjusting washers (4) are not falling out.

3 Remove regulating piston (2) with a magnet or a wooden stick (pencil).

Note: For a defective O-ring (1) or contour ring (1) spare parts are individually available. In such a case, it is not necessary to renew the complete system pressure regulator.

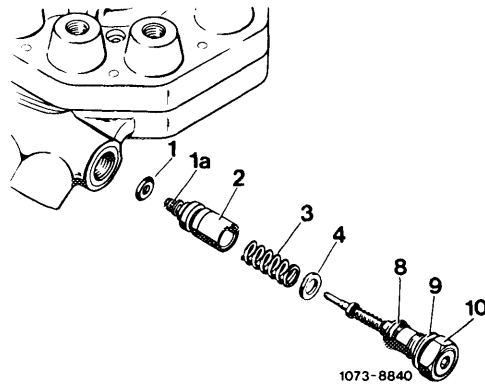


4 Cut through contour ring (1) and remove.

5 Install parts of repair set.

Attention!

The regulating piston (2) is fitted to fuel distributor and must not be replaced. If required, renew complete fuel distributor.



Plug new O-ring (1) on regulating piston (2) or slip new contour ring (1) carefully over lock (1a), lubricate slightly and mount regulating piston together with compression spring (3).

Mount assembly group with removed adjusting washers (4), the new O-ring (8) and the copper sealing ring (9) included in delivery.

6 Check system pressure (07.3–120). If system pressure deviates from nominal value, remove system pressure regulator again and adjust system pressure by adding or removing adjusting washers (4).

The following adjusting washers are available:

- 0.1 mm thick
- 0.15 mm thick
- 0.3 mm thick
- 0.4 mm thick
- 0.5 mm thick

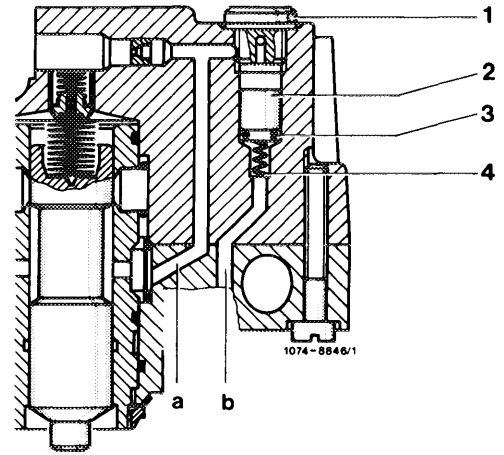
Adjusting washers are contained in repair set.

0.1 mm provides approx. 0.2 bar system pressure.

Reconditioning pressure compensating valve

7 Unscrew closing plug (1). Remove piston (2) with contour ring (3).

8 Install parts of repair set.



Loosen closing plug (1), use screwdriver element, e.g. made by Hazet, D-5630 Remscheid, order No. 992-T 30.

