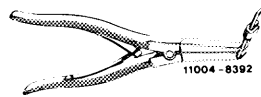


83–100 Removal and installation of heater box

Special tool

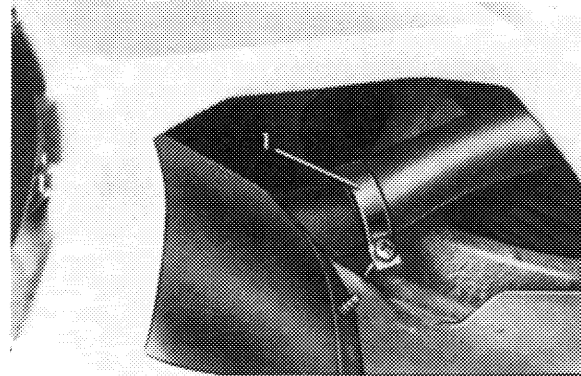
Clip pliers for heater cable controls



108 589 01 37 00

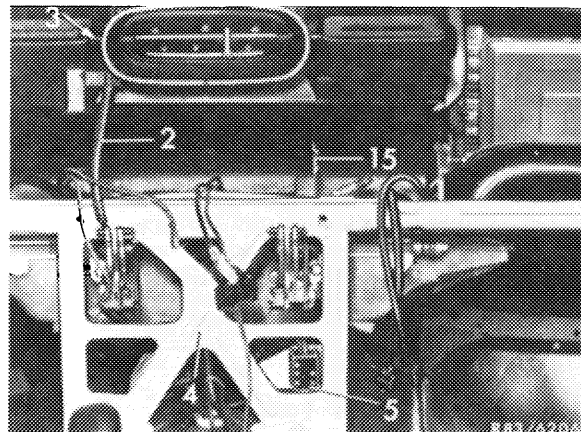
Removal

- 1 Drain approx. 3 liters cooling water.
- 2 Remove ornamental grille for air inlet on both sides (83–140).
- 3 Loosen hose clamp (1) on both sides and pull-off heater hose.

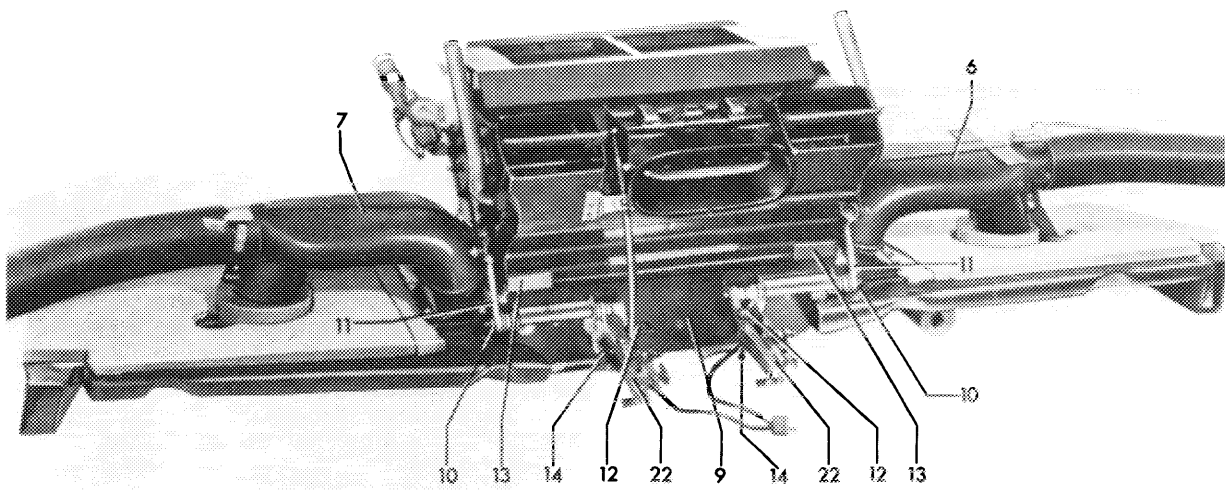


R 83/6194

- 4 Remove instrument panel (68–100).
- 5 Disconnect cable control (2) on flap actuation (3) and remove holding clip.
- 6 Remove support (4) and disconnect plug connection (5).
- 7 Remove right-hand air duct (6).



R 83/6204

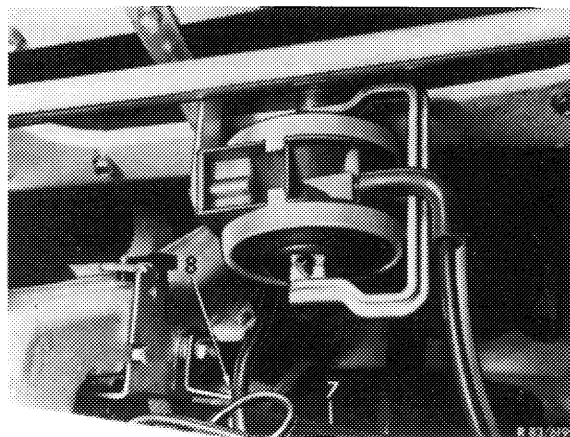


R 83/6263

- | | | |
|-------------------|--------------------------------|----------------|
| 6 Air duct right | 10 Nut on connecting lever | 13 Clip |
| 7 Air duct left | 11 Connecting lever | 14 Microswitch |
| 9 Air duct center | 12 Holding bracket on controls | 22 Controls |

8 Unscrew screw (8) on left-hand air duct (7).

9 Remove left-hand air duct (7).



10 Remove holder between center air duct (9) and tunnel.

11 Loosen nut (10) on both connecting levers (11) and pull connecting lever from shaft including serrated washer.

12 Loosen both holding angles (12) of controls on cross member.

13 Pull out the four clamps (13) on front and rear end toward side.

14 Separate cable to microswitches (14) of controls on plug connection.

15 For automatic transmission only:
Loosen one microswitch (14) from controls.

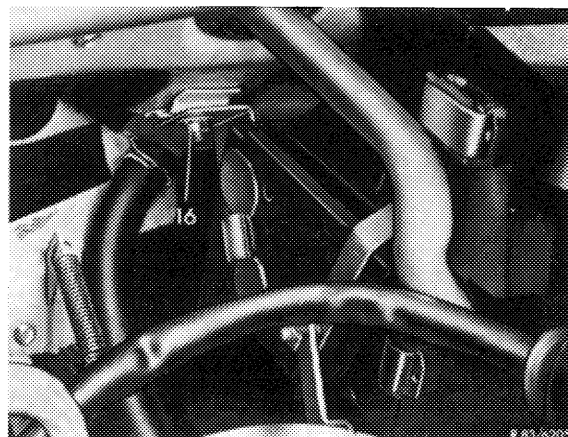
16 Pull out center air duct (9) with controls toward the rear. Remove to the right only on vehicles with automatic transmission.

17 Loosen cable clamps of cable harness on cross member in range of heater box.

18 Remove radio holder (15) on cross member.

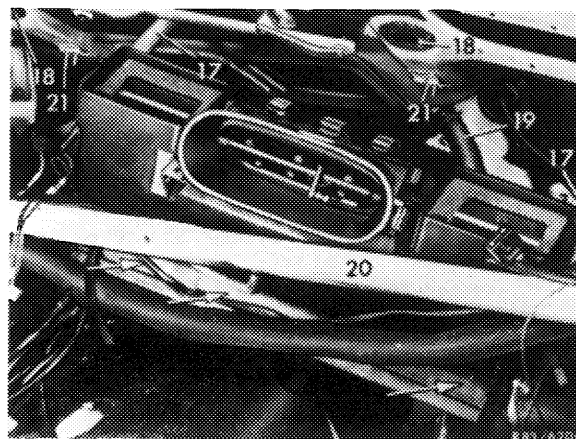
19 Remove control unit for electronic injection system.

20 Loosen both nuts (16) on holders for heater box.



21 Pull heater box back until heater pipes (17) are disconnected from rubber grommets (18) in front wall.

22 Leave main cable harness hanging down and slide heater box toward the right. Make sure that the lower shoulder remains under cross member (20) and the heater box slides past the water drain hose (19).



23 Remove heater box at the right under cross member (20).

Attention!

When removing heater box watch up for cooling water flowing out.

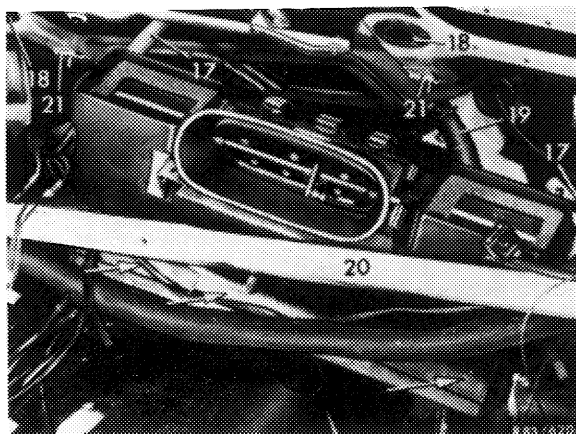
24 Drain heater box and save cooling water with treating agent contained therein.

Installation

25 Lubricate both rubber grommets (18) in front wall with soap solution or the like.

26 Insert heater box under cross member (20) without center air duct (9) on side of passenger seat and place toward the left on tunnel.

Note: Make sure that during the insertion of the heater box toward the left the lower shoulder remains under cross member (20).



27 Guide both heater tubes (17) through rubber grommets (18).

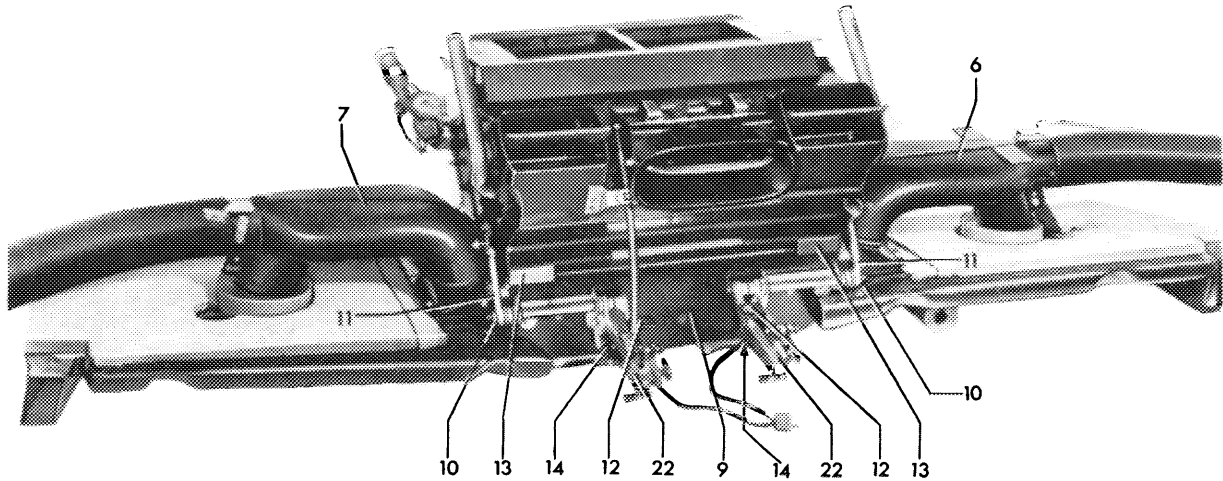
28 Screw heater box to both holding brackets (21).

29 Mount air duct center (9) with clips (13) to heater box.

Note: Make sure that on vehicles without refrigerating system the water drains in the center air duct (9) are closed with rubber plugs (part no. 115 987 03 40).

30 Mount holding bracket between air duct center (9) and tunnel.

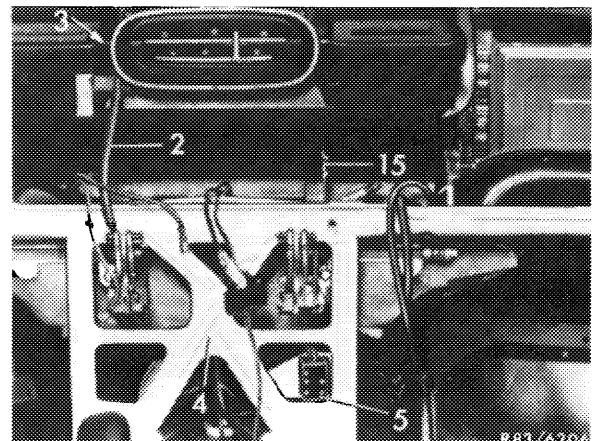
31 Screw both holding brackets (12) of controls to cross member.



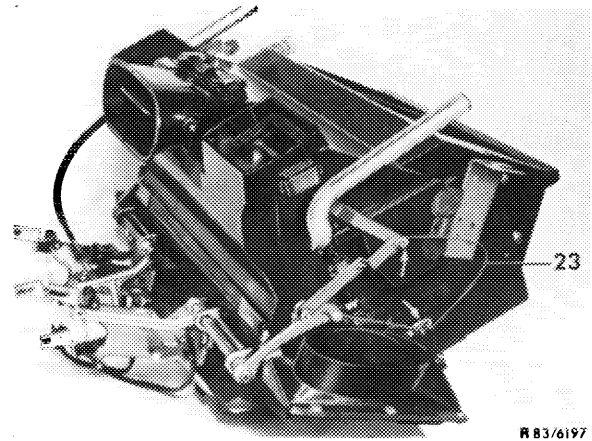
R 83/6263

- | | | |
|-------------------|--------------------------------|----------------|
| 6 Air duct right | 10 Nut on connecting lever | 13 Clip |
| 7 Air duct left | 11 Connecting lever | 14 Microswitch |
| 9 Air duct center | 12 Holding bracket on controls | 22 Controls |

32 Connect cable control (2) for upper air flaps.



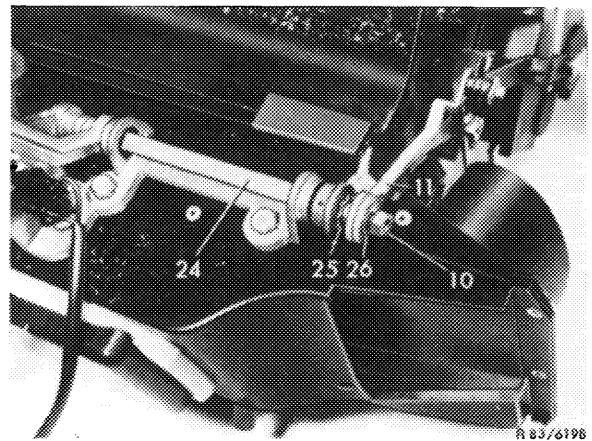
33 Set both outer operating levers upwards and insert the assembly aid (23) into levers of flap actuation.



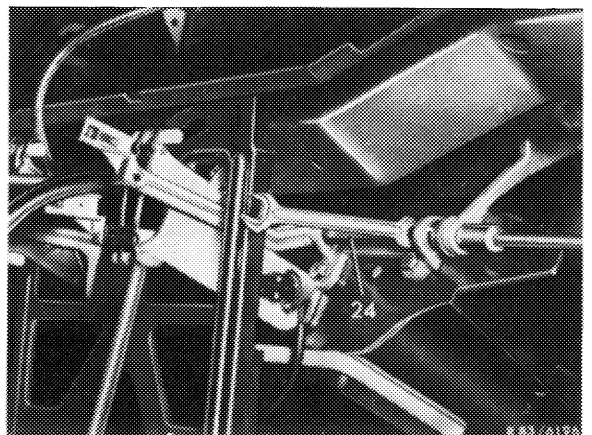
Note: When adjusting the connecting lever (11) without assembly aid (23), push both flap actuations in direction of arrow up to stop and hold in this position. The assembly aid is inserted only in replacement heater box.

34 Place serrated washer (24) on actuating lever (24) and mount connecting lever (11).

35 Screw-on connecting lever in this position by means of shaft washer (26) and nut (10). Counter-hold with open-end wrench (SW 8) on actuating lever (24).



36 Disconnect assembly aid.



37 Check whether the microswitch (28) is actuated in lower position of both heater operating levers. If required, adjust microswitch accordingly.

38 For further installation proceed vice versa.

