

35-040 Removal and installation of front rubber bearing of rear axle suspension

A. Model 107, 114, 115, 116, 123

Rear axle installed

Adjusting dimension of limit stop (on models 115.114 and 123 with engine 102, 115, 616 and 617 only)

Clearance between rubber buffer and supporting plate	2-3 mm
--	--------

Slide fluid for pressing-in rubber bearings

Slide fluid (Naphtolen H or slide paste Fahr)	000 989 08 60
---	---------------

Tightening torques

Nm

Hex bolt for attaching front rubber bearing to frame floor	120
--	-----

Hex screws for attaching supporting plate to frame floor	40
--	----

Hex bolt for attaching stop limitation (models 115.114 and 123 with engine 102, 115, 616 and 617 only)	40
--	----

Special tool

Installer for installing rubber bearing in rear axle carrier	
--	--

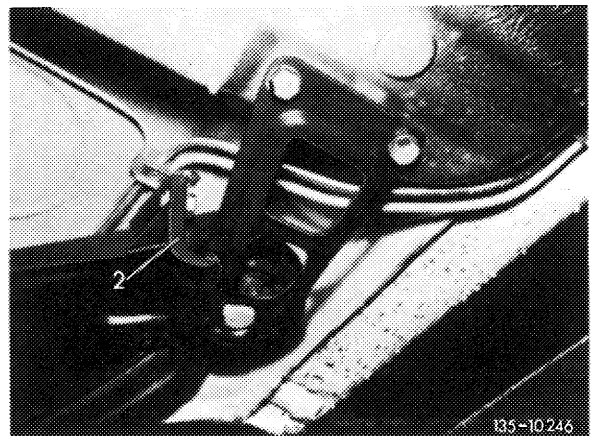


116 589 11 61 00

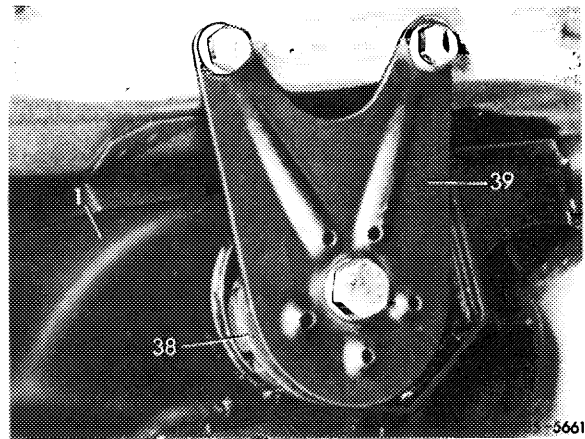
Removal

1 Support rear axle carrier at respective end.

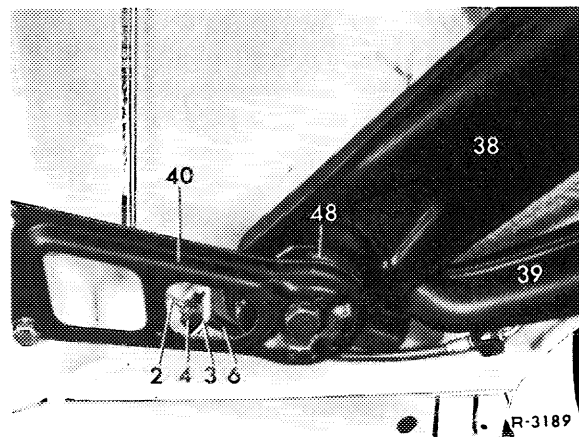
2 Loosen stop limit (2) on rear axle carrier and remove (only on model 115.114 and on models 123 with engine 617, with engine 616 starting March 1978, with engine 115 starting September 1979 and with engine 102).



3 Unscrew supporting plate (39) from frame floor.

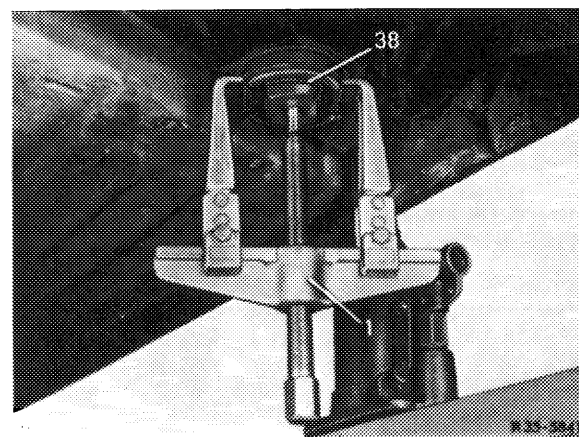


4 Loosen brake hose on holder (3) and close against penetration of dirt (models 114 and 115 of 1st version only).

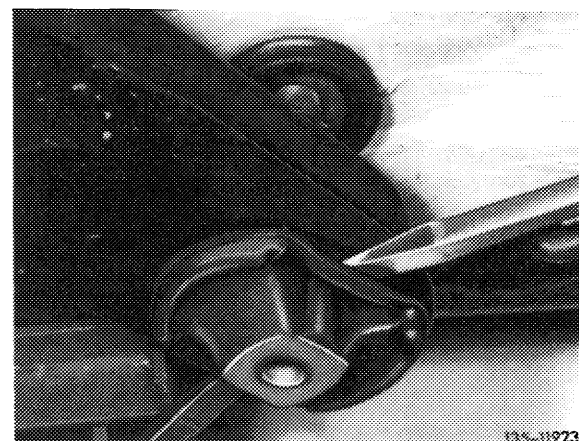


5 Insert a mandrel of 10 mm dia. and approx. 160 mm length into bore of rubber bearing and pull rubber bearing out of rear axle carrier by means of a puller.

On model 123, push rubber bearing out of rear axle carrier by means of a suitable tool until a two-arm puller can be applied.



Models 107, 114, 115, 116

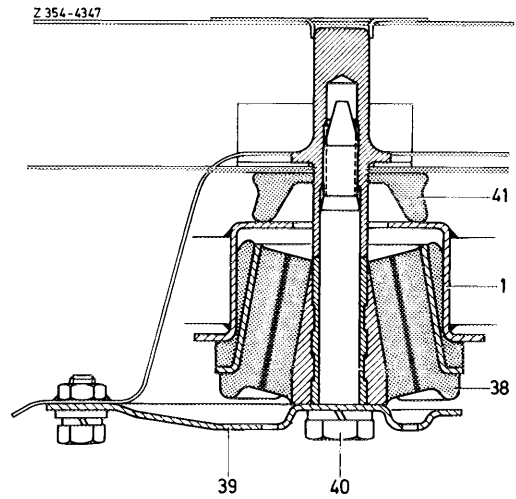


Model 123

6 Check rubber bearing (38) and stop rubber (41) on frame floor and renew, if required.

Attention!

Renew compressed rubber bearing on principle.

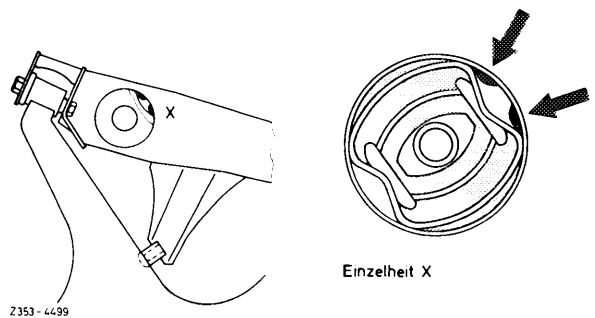


Installation

Attention!

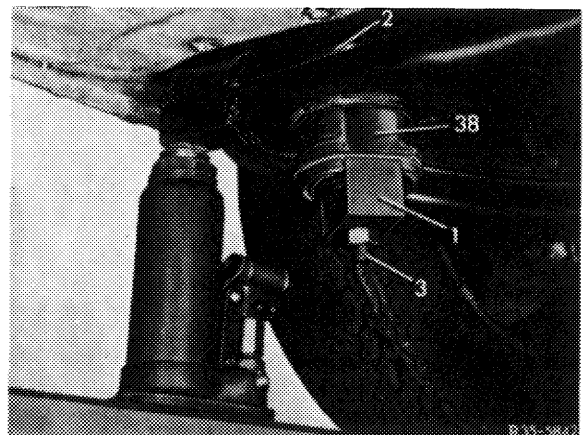
During installation pay special attention to position of rubber bearing.

On model 107.04 this position is marked by means of two lugs in cup. The two lugs should rest in a recess of rubber bearing.



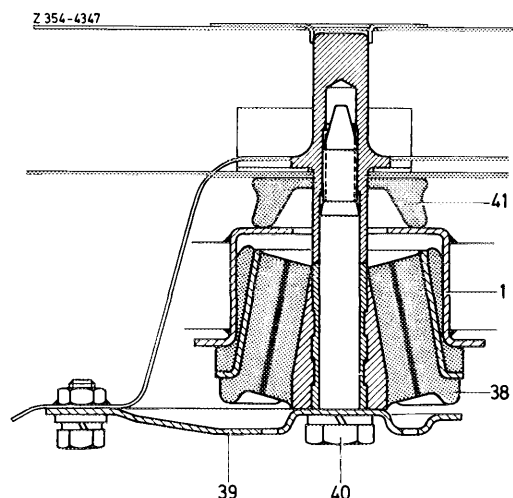
7 Rub rubber bearing with slide fluid and pull into rear axle carrier.

Note: When the vehicle is jacked up, the respective rear wheel must be additionally lifted, so that the rear axle carrier can move far enough downwards for positioning tool.



8 Attach rubber stop (41) (on models 115.114 and 123 with engine 617, with engine 616 starting March 1978, with engine 115 starting September 1979 and with engine 102, which are provided with an adjustable stop limit, no rubber stop is installed). Lift rear axle carrier and mount supporting plate. Tighten hex. screws on supporting plate to 40 Nm and on rubber bearing to 120 Nm.

9 Connect brake hose and bleed brake system (42–010, required only for 1st version of models 114 and 115).

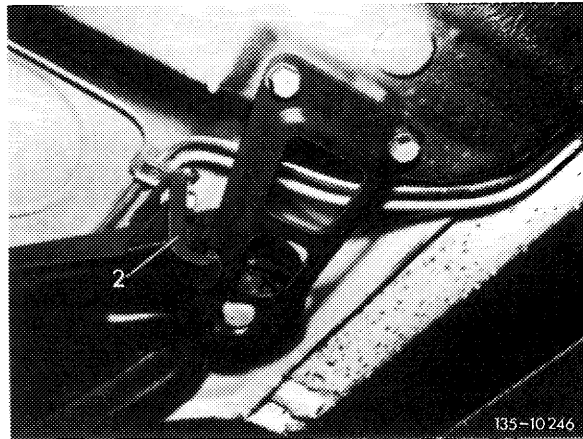


Adjustment of stop limit on models 115.114 and 123 with engine 617, with engine 616 starting March 1978, as well as with engine 115 starting September 1979 and with engine 102.

10 Loosely mount stop limitation (2) at front to rear axle carrier.

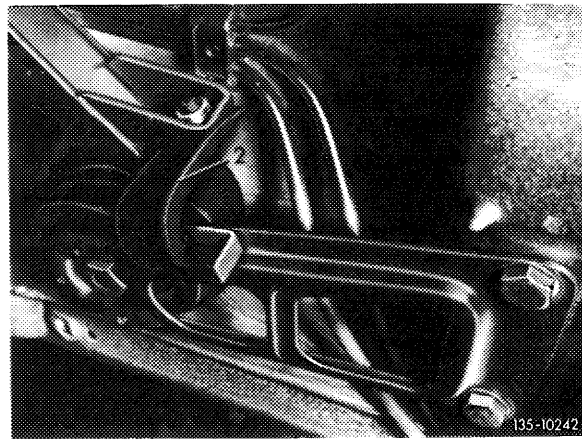
Attention!

Clearance between rubber buffer of stop limitation and supporting plate should be 2–3 mm with vehicle ready for driving.



11 Insert sheet metal angle piece between rubber buffer and supporting plate.

Note: Make sheet metal angle piece (2.5 mm thick) yourself according to the following dimensions: 60 mm long, 20 mm high, 10 mm wide.



12 Push stop limitation lightly upwards and tighten hex bolt to 40 Nm.

13 Remove sheet metal angle piece.