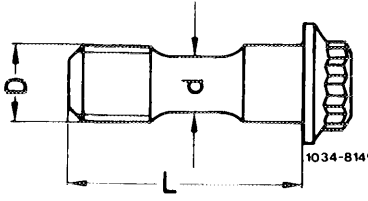


## 03-410 Removal and installation of flywheel and driven plate

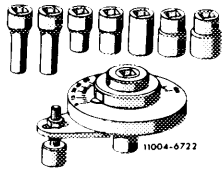

### Necked-down screws

Part no.	110 990 04 19		
Thread dia. D	M 10 x 1		
Necked-down stem dia. d	when new	7.7-0.2	
	minimum dia.	7.3	
Length L	31		

### Tightening torques

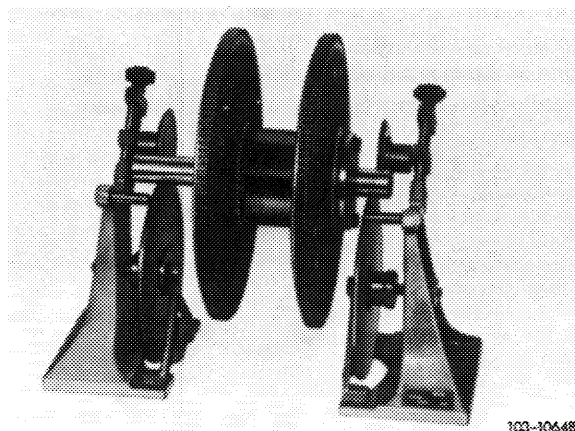
Initial torque	30-40 Nm
Angle of rotation torque	90-100°

### Special tools

Angle of rotation tool		116 589 01 13 00
Detent		110 589 00 40 00

### Note

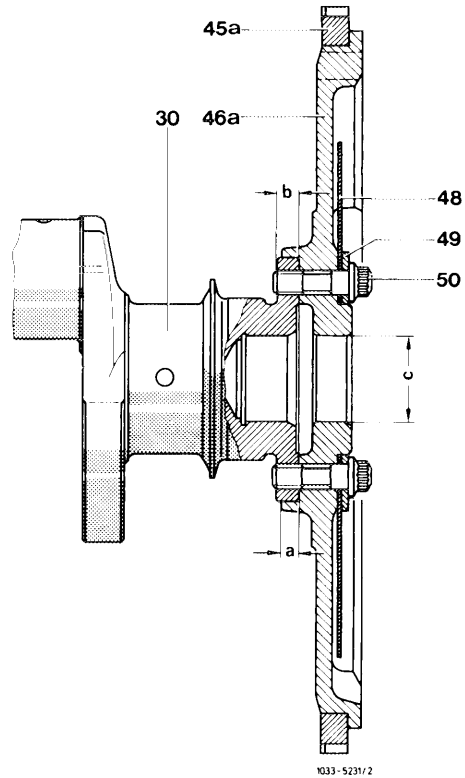
If a new flywheel is installed, set new wheel to balancing condition of removed wheel (03-440).



103-10648

Do not interchange this flywheel with flywheel of engine 110.

Engine 110: dimension a = 4.5 mm

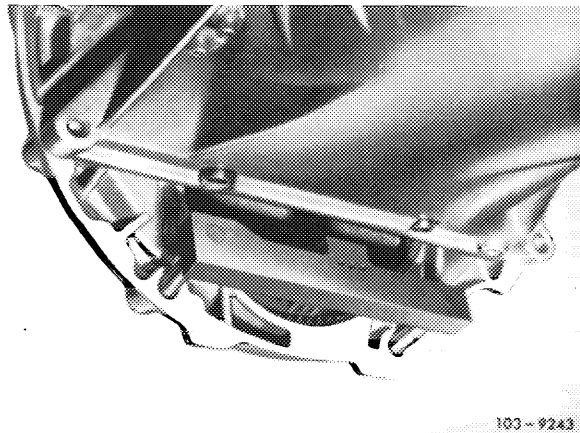


#### Layout flywheel and driven plate

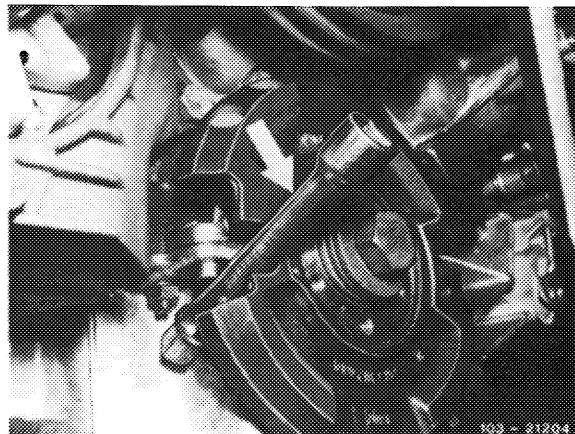
30	Crankshaft	a	7 mm
45a	Ring gear	b	10 mm
46a	Flywheel	c	35 mm dia.
48	Driven plate		
49	Spacing washer		
50	Necked-down screw		

#### Removal

- 1 Remove transmission.
- 2 On models 116.120 and 123 with automatic transmission 722.120 (W4B 025), position detent against flywheel as a counterhold when loosening necked-down screws.

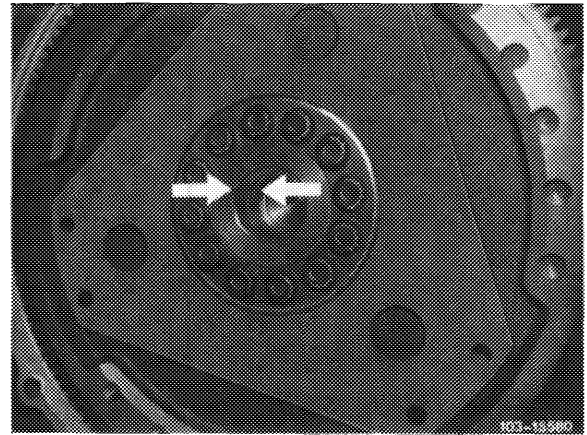


On models 126.120 and 123 with automatic transmission 722.303 (W4A 040), hold a steel bolt in one of the recesses on balancing disc for counterholding and support against cylinder crankcase (arrow).



3 Loosen necked-down screws. Remove flywheel, driven plate and spacing washer.

**Note:** The flywheel and crankshaft are identified by a mark (arrows).



### Installation

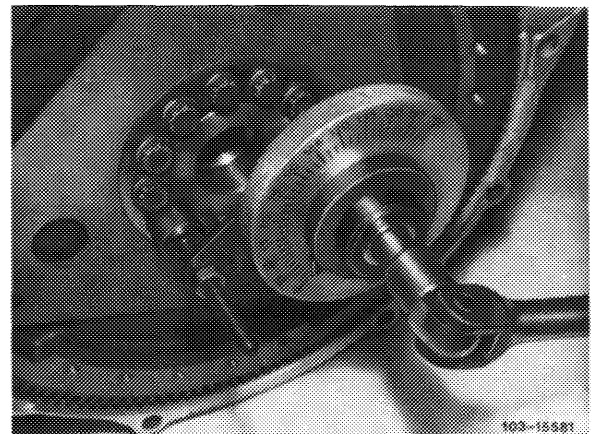
4 Measure necked-down stem dia. "d" of necked-down screws.

If the minimum dia. has been attained, replace necked-down screws.

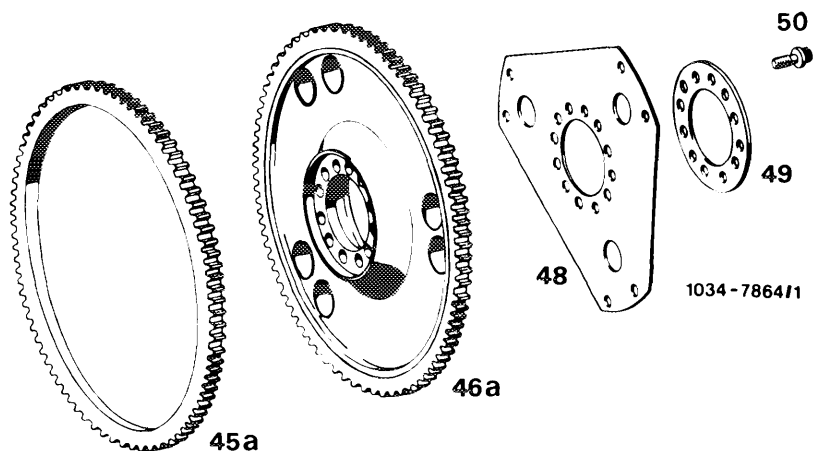
5 Position flywheel, driven plate and spacing washer on crankshaft journal in such a manner that the marks are in alignment.

6 Lubricate necked-down screws, screw-in and tighten to 30–40 Nm.

7 Tighten to angle of rotation torque of 90–100° by means of angle of rotation tool.



### Flywheel and driven plate



- 45a Ring gear
- 46a Flywheel
- 48 Driven plate
- 49 Spacing washer
- 50 12 necked-down screws