

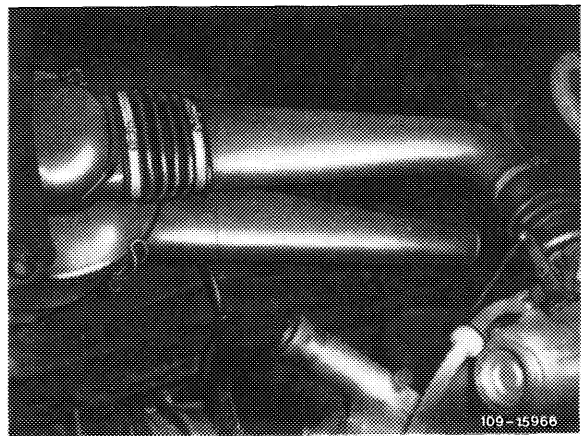
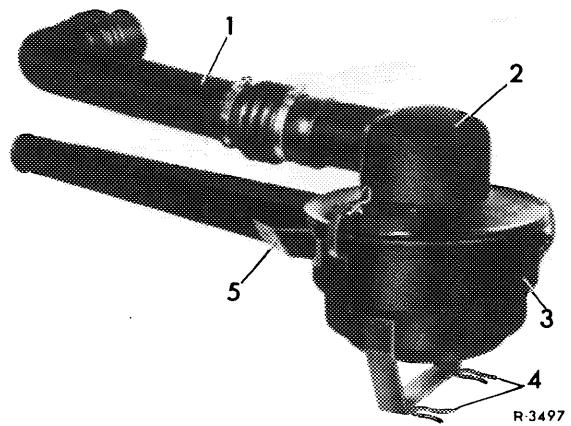
A. Oil bath air filter in model 115.1, 123.1

Model 115.1

For easy removal and installation the oil bath air filter is provided with tensioning springs (4) at bottom fastening point.

Remove filter after loosening fastening screw on fastening plate (5) and removing intake pipe (1). During installation, make sure that the tensioning springs are correctly engaging.

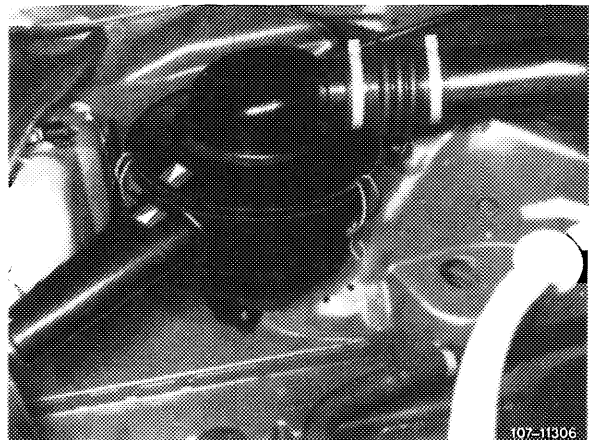
- | | | |
|---------------|----------------------|-------------------|
| 1 Intake pipe | 3 Bottom | 5 Fastening plate |
| 2 Top | 4 Tensioning springs | |



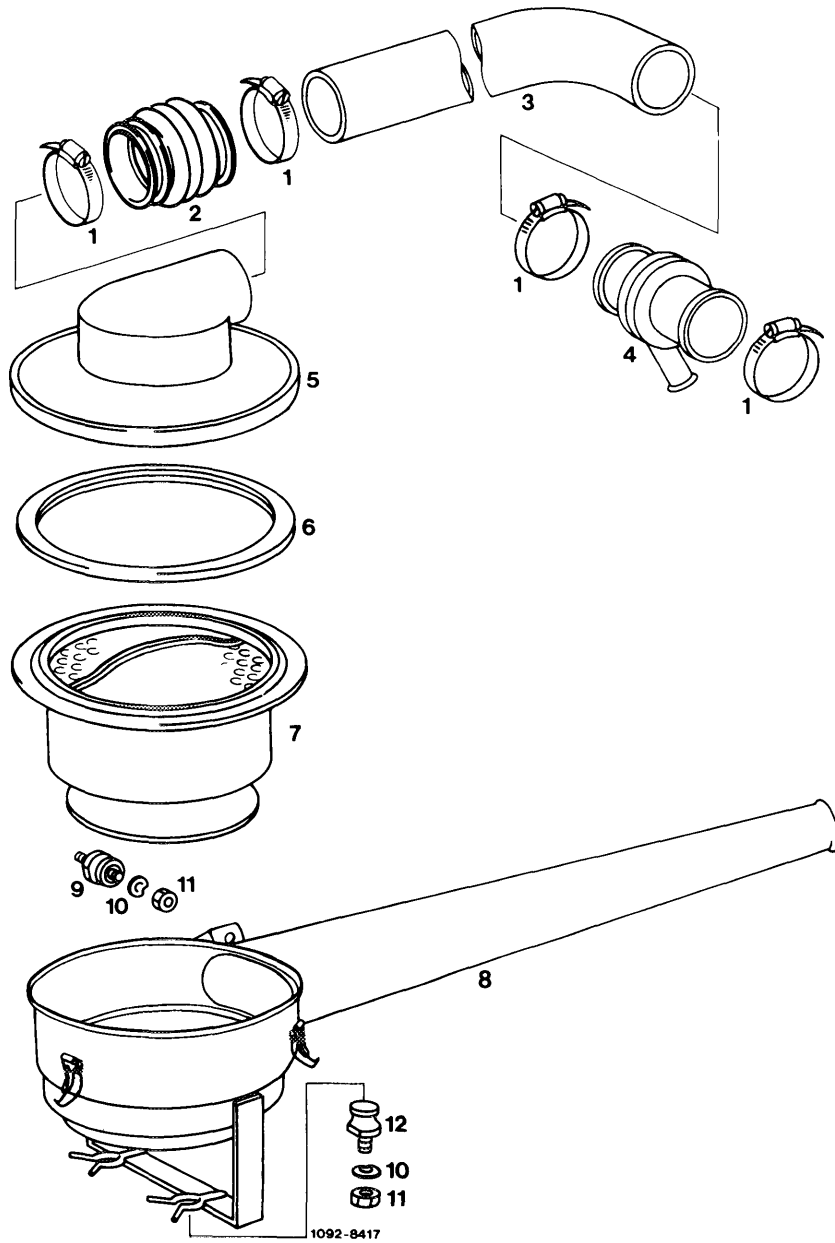
Installation position

Model 123.1

The oil bath air filter is mounted in right-hand wheel housing on rubber mounts.

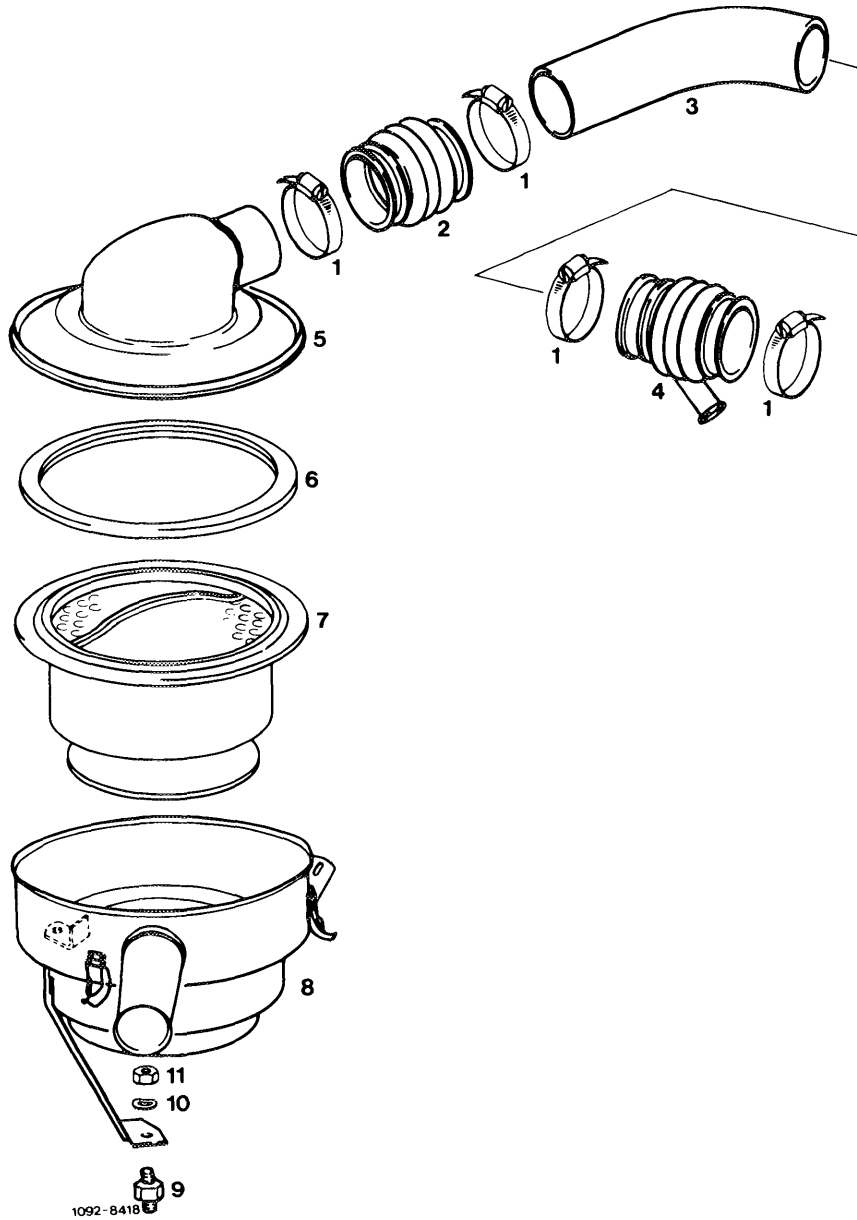


Oil bath air filter
 Engine 615, 616 in model 115.1



- | | |
|------------------|----------------------|
| 1 Hose clamp | 7 Air filter element |
| 2 Scoop | 8 Air filter bottom |
| 3 Intake pipe | 9 Vibration mount |
| 4 Scoop | 10 Domed washer |
| 5 Air filter top | 11 Nut |
| 6 Sealing ring | 12 Vibration mount |

Oil bath air filter
 Engine 615, 616 in model 123.1



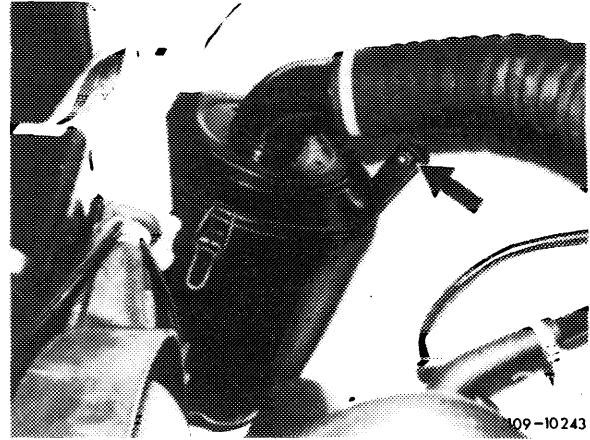
- | | |
|------------------|----------------------|
| 1 Hose clamp | 7 Air filter element |
| 2 Scoop | 8 Air filter bottom |
| 3 Intake pipe | 9 Vibration mount |
| 4 Scoop | 10 Domed washer |
| 5 Air filter top | 11 Nut |
| 6 Sealing ring | |

B. Dry air filter in model 115.1, 123.1

Model 115.1

Removal

1 Loosen clamp and remove top by means of a left-hand turn, take out filter element. Loosen fastening nut (arrow) in wheel housing.



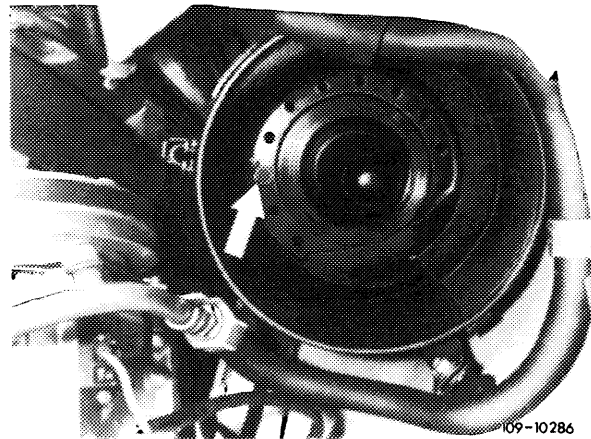
2 Loosen fastening screw (arrow) inside filter and remove air filter bottom.

Installation

3 Mount air filter bottom.

Note: Air filter should not be in contact with wheel housing and stiffening plate.

4 Slightly lubricate rubber sealing ring in top, mount top and turn to the right until the lock engages. Tighten clamp concentrically while simultaneously tightening.



Model 123.1

Note

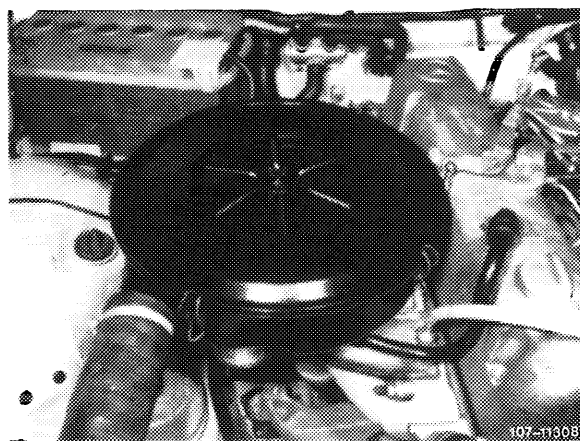
On engines with piston-vacuum pump, **no** vacuum line is required between pump and intake manifold or air filter, since the air drawn from brake unit flows directly from piston-vacuum pump into crankcase. As a result, the connection and the mounting bracket for the vacuum line on air filter are no longer required.

When installing an exchange motor which is already provided with a piston-vacuum pump, the now no longer necessary connection on air filter must be closed with plug part No. 617 997 00 86.

Start of series: June 1980

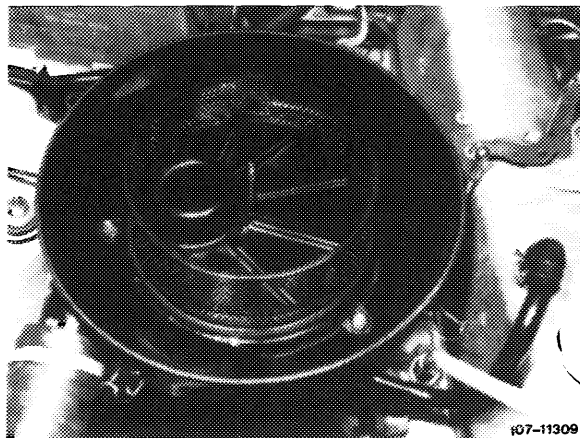
Model	Starting chassis end No.
123.102	195228
123.103	195228
123.105	202853
123.120	215577
123.123	195228
123.125	195228
123.130	202853
123.132	202853
123.150	006378
123.183	012061
123.190	018458

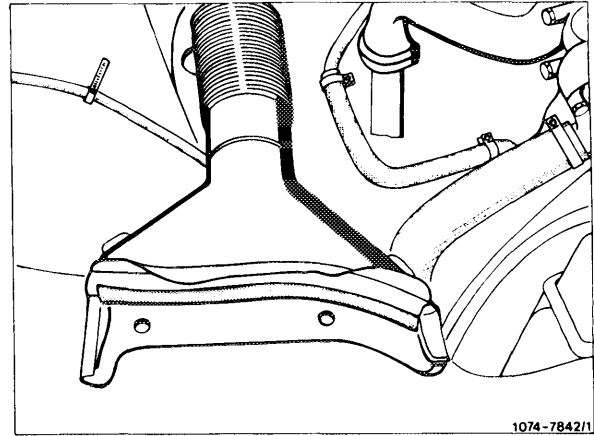
The dry air filter is mounted on intake pipe.



Removal

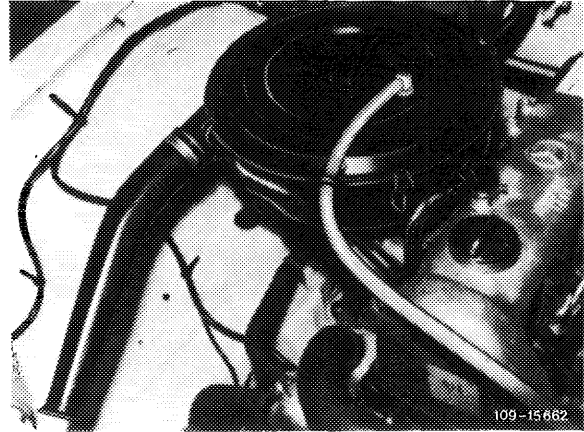
- 1 Remove air filter cover and unscrew the three fastening nuts.





1st version, intake hood

1074-7842/1



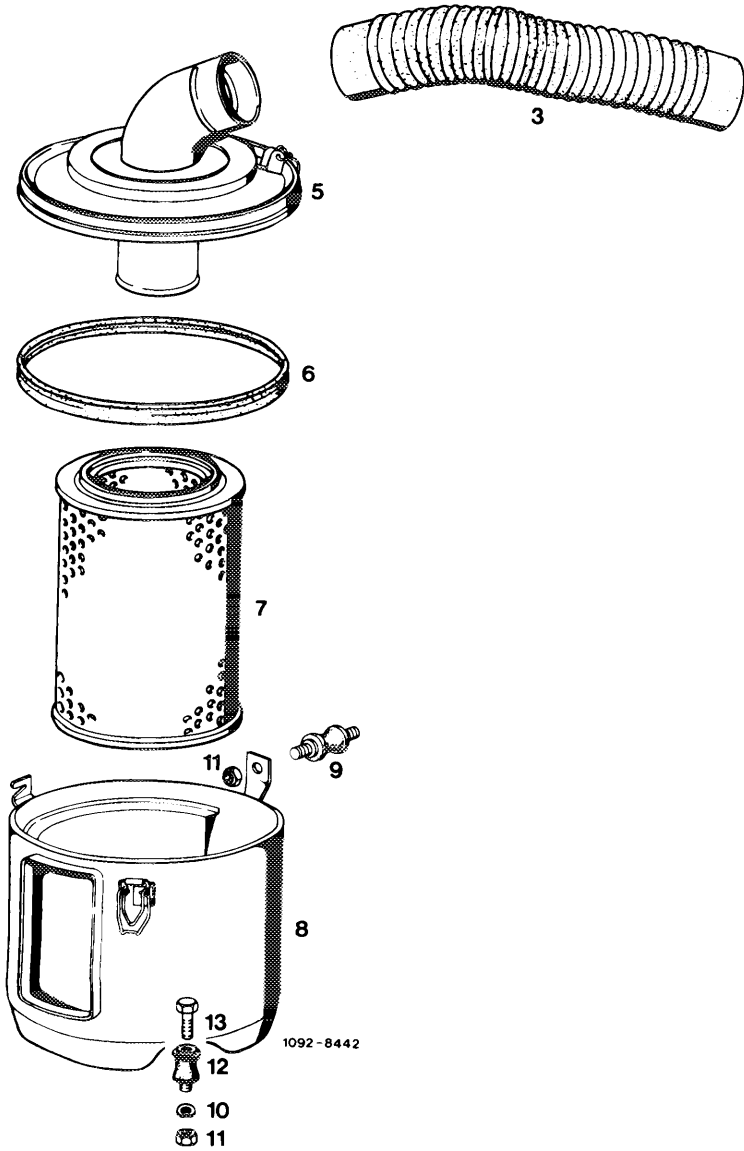
2nd version, intake snorkel

109-15662

Installation

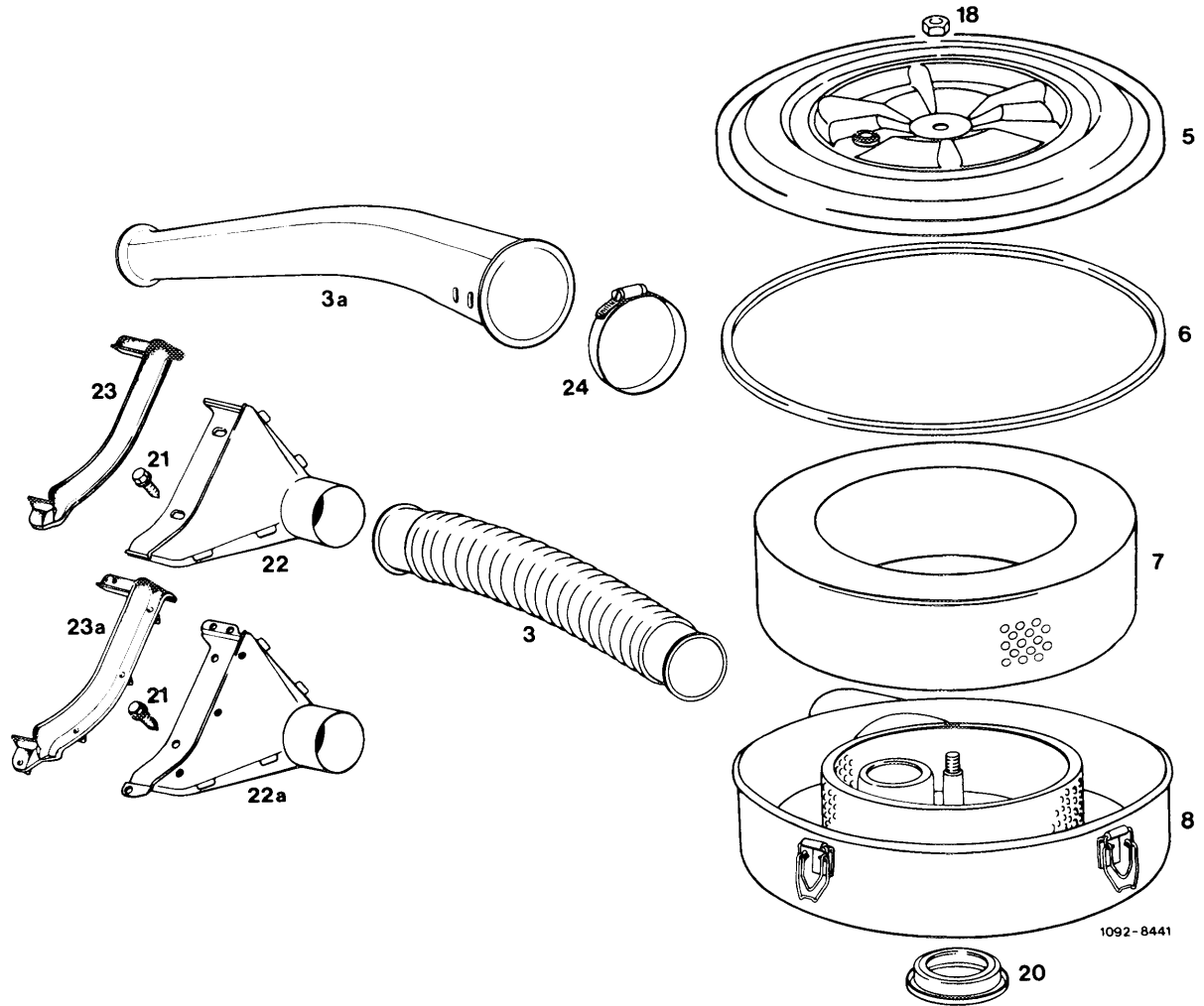
- 2 Check vibration mount for cracks.
- 3 Mount air filter lower half, while lubricating the rubber sealing ring in air filter lower half and the intake manifold connection with engine oil.
- 4 Press air filter lower half on intake manifold to the extent that the 3 fastening plates rest on the 3 vibration mounts. Tighten the 3 fastening nuts.
- 5 Mount air filter cover.

Dry air filter
 Engine 617 in model 115.1



- | | |
|----------------------|--------------------|
| 3 Intake pipe | 9 Vibration mount |
| 5 Air filter top | 10 Domed washer |
| 6 Sealing ring | 11 Nut |
| 7 Air filter element | 12 Vibration mount |
| 8 Air filter bottom | 13 Screw |

Dry air filter
 Engine 615, 616, 617 in model 123.1



- 3 Intake pipe 1st version
- 3a Intake pipe 2nd version
- 5 Air filter top
- 6 Sealing ring
- 7 Air filter element

- 8 Air filter bottom
- 9 Vibration mount
- 18 Polystop nut
- 20 Rubber sealing ring
- 21 Screw

- 22 Intake hood 1st version
- 22a Intake hood 2nd version
- 23 Rubber seal 1st version
- 23a Rubber seal 2nd version
- 24 Hose clamp

C. Oil bath air filter, special version model 123.1

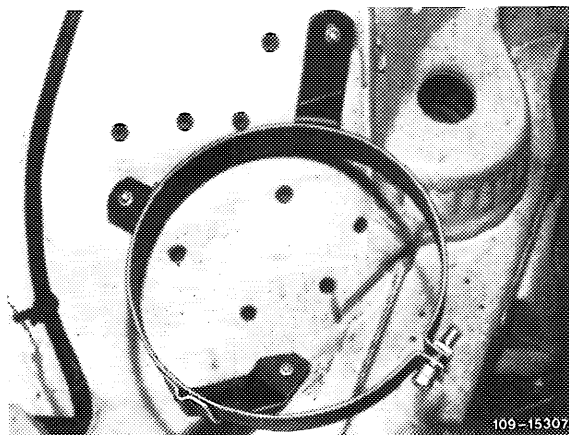
In special cases model 123.1 can be subsequently provided with a modified fastening holder.

This makes the oil bath air filter rotatable for moving into summer and winter position.

Subsequent installation

- 1 Remove air filter.
- 2 Grind-off fastening holder on removed air filter. Then paint ground spots.

- 3 Mount new fastening holder, part no. 000 094 00 27.



- 4 Mount air filter with intake snorkel as required.



W = winter position
Intake snorkel to the rear

S = summer position (series)
Intake snorkel to the front

