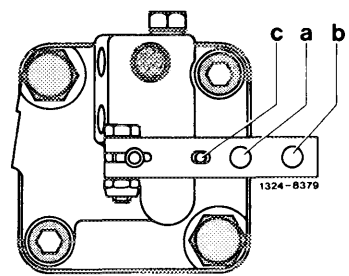


**Position of connecting rod on lever of level controller**

Model	Position of connecting rod on lever of level controller
107.022 126.02 107.023 126.032 107.025 126.033 114 115 116.02 116.032 <sup>1)</sup> 116.033 <sup>1)</sup>	Bore a
107.024 126.036 107.026 126.037 116.032 116.033 123	Bore b

<sup>1)</sup> Vehicles in (J) version only.



a, b Bores for ball joint of connecting rod  
c Locating bores in lever and in housing in center position of control shaft for locating pin 4,0 mm dia.

**Lubricant for steel-mounted ball joints of connecting rod (vehicles up to March 1971)<sup>1)</sup>**

Grease type Longterm lubricating grease (refer to specifications for service products page 266.2)

<sup>1)</sup> ball joints with plastic bearings (standard starting April 1971) require no service

**Note**

After exchanging connecting rod, readjust vehicle level on rear axle again under load (40–310).

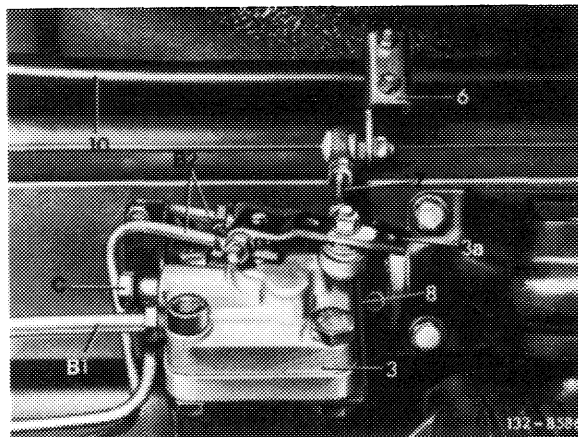
**Removal**

1 Unscrew hex. nuts of connecting rod (7) on lever of level controller and on lever of torsion bar.

If required, hold ball pin joints in plastic bearings with open-end wrench 10 mm or ball pin of steel joints with an angle screw driver.

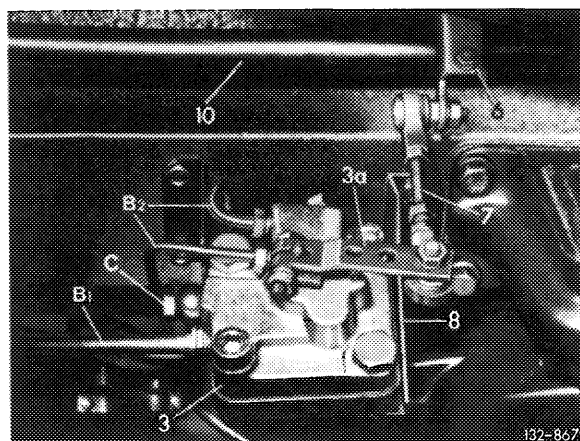
**Model 116**  
Level controller on diagonal swing axle  
without starting torque compensation

- |                              |  |
|------------------------------|--|
| 3 Level controller           | B1 Pressure line pressure oil pump – level controller  |
| 3a Lever on level controller | B2 Pressure line level controller – pressure reservoir |
| 6 Lever on torsion bar       | C Return-flow line level controller – oil supply tank  |
| 7 Connecting rod             |  |
| 8 Bracket                    |  |
| 10 Torsion bar               |  |



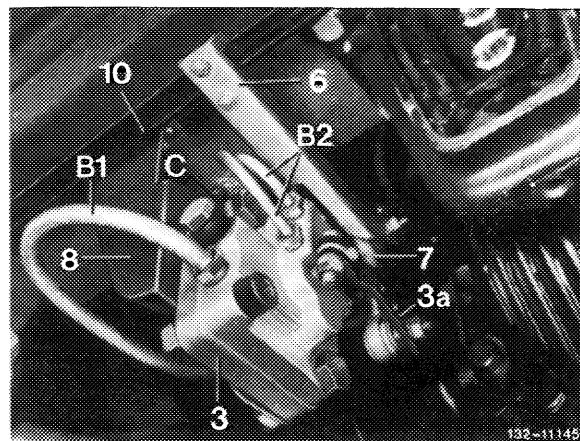
**Model 116**  
Level controller on diagonal swing axle  
with starting torque compensation

- |                              |  |
|------------------------------|--|
| 3 Level controller           | B1 Pressure line pressure oil pump – level controller  |
| 3a Lever on level controller | B2 Pressure line level controller – pressure reservoir |
| 6 Lever on torsion bar       | C Return-flow line level controller – oil supply tank  |
| 7 Connecting rod             |  |
| 8 Bracket                    |  |
| 10 Torsion bar               |  |



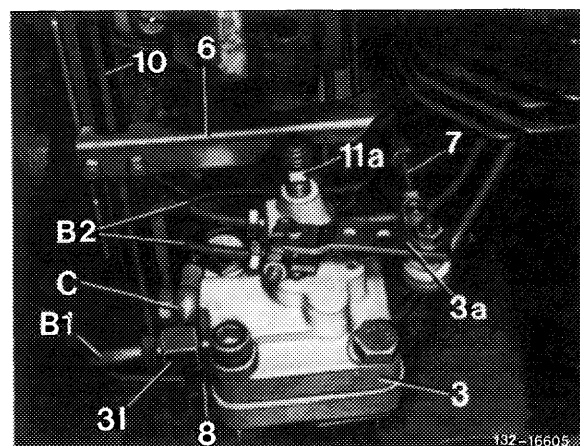
**Model 123**  
Level controller on diagonal swing axle  
without starting torque compensation  
1st version up to February 1977

- |                              |  |
|------------------------------|--|
| 3 Level controller           | B1 Pressure line pressure oil pump – level controller  |
| 3a Lever on level controller | B2 Pressure line level controller – pressure reservoir |
| 6 Lever on torsion bar       | C Return-flow line level controller – oil supply tank  |
| 7 Connecting rod             |  |
| 8 Bracket                    |  |
| 10 Torsion bar               |  |



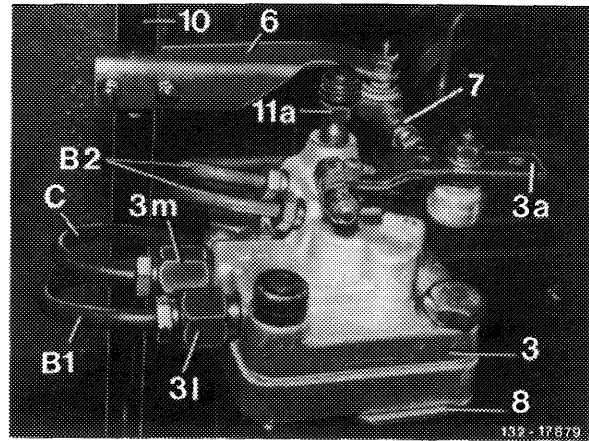
**Model 123**  
Level controller on diagonal swing axle  
without starting torque compensation  
2nd version starting March 1977

- |                              |  |
|------------------------------|--|
| 3 Level controller           | B1 Pressure line pressure oil pump – level controller  |
| 3a Lever on level controller | B2 Pressure line level controller – pressure reservoir |
| 3l Connection                | C Return line level controller – oil supply tank       |
| 6 Lever on torsion bar       |  |
| 7 Connecting rod             |  |
| 8 Bracket                    |  |
| 10 Torsion bar               |  |
| 11a Bleed screw              |  |



Model 126  
Level controller on diagonal swing axle without starting torque compensation

- |    |                                   |     |   |
|----|-----------------------------------|-----|---|
| 3  | Level controller                  | 11a | Bleed screw   |
| 3a | Lever on level controller         | B1  | Pressure line pressure oil pump – level controller  |
| 3l | Connection for pressure line (B1) | B2  | Pressure line level controller – pressure reservoir |
| 3m | Connection for return line (C)    | C   | Return line level controller – oil supply tank      |
| 6  | Lever on torsion bar              |     |   |
| 7  | Connecting rod                    |     |   |
| 8  | Bracket                           |     |   |
| 10 | Torsion bar                       |     |   |

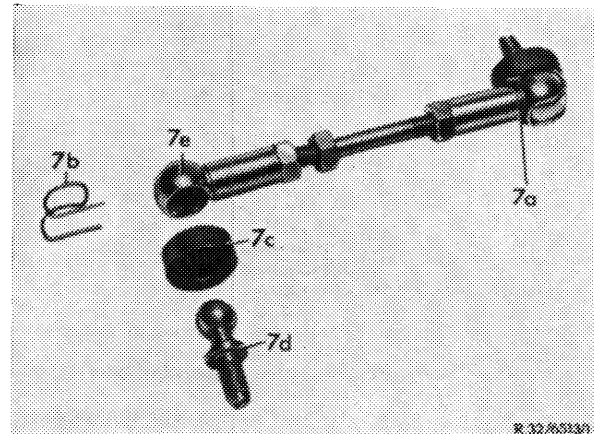


2 Check ball joints of connecting rod for easy operation and wear.

3 On 1st version with steel joints (standard up to March 1971) remove pertinent locking clip (7b) and pull-off ball pin. Provide ball sockets with grease. Replace damaged sealing washers (7c) or worn-out ball joints.

Connecting rod with steel joints  
1st version up to March 1971

- |    |                |    |             |
|----|----------------|----|-------------|
| 7a | Ball joint     | 7d | Ball pin    |
| 7b | Locking clip   | 7e | Ball socket |
| 7c | Sealing washer |    |             |

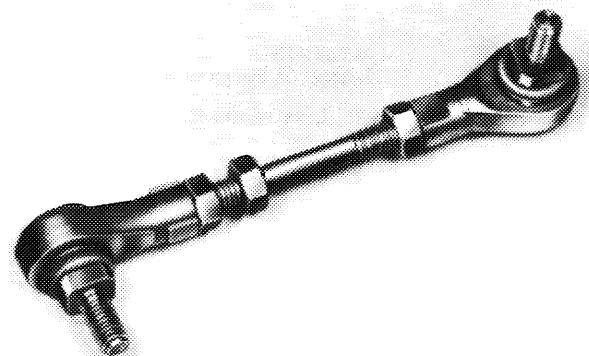


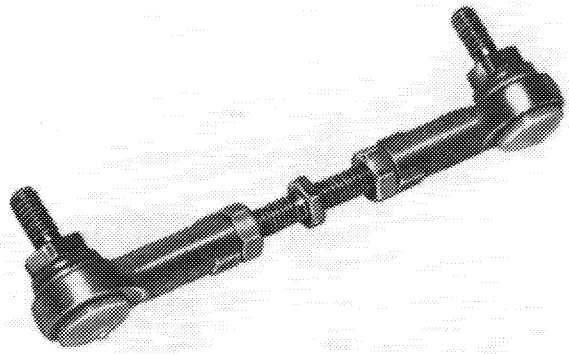
### Attention!

Do not pull ball pin of plastic-mounted ball joints out of ball socket.

Connecting rod with ball joints mounted on plastic bearings.

2nd version starting April 1971





Connecting rod with plastics-mounted ball joints  
3rd version starting March 1979

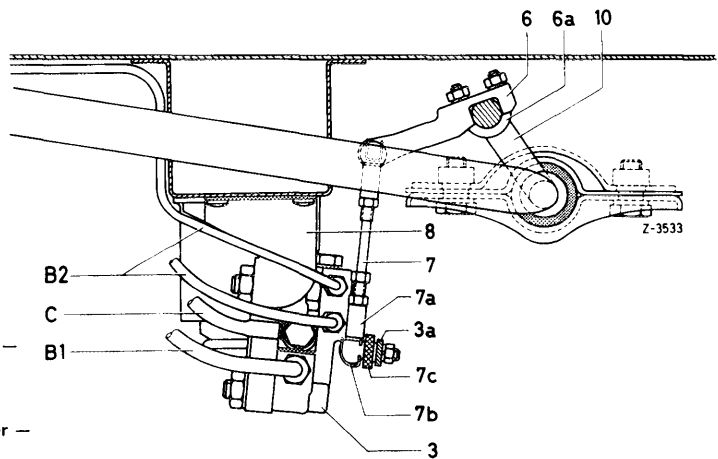
132-18672

## Installation

4 Attach connecting rod lever to lever of level controller and to lever of torsion bar. Make sure that lever (6) of torsion bar is in alignment with connecting rod.

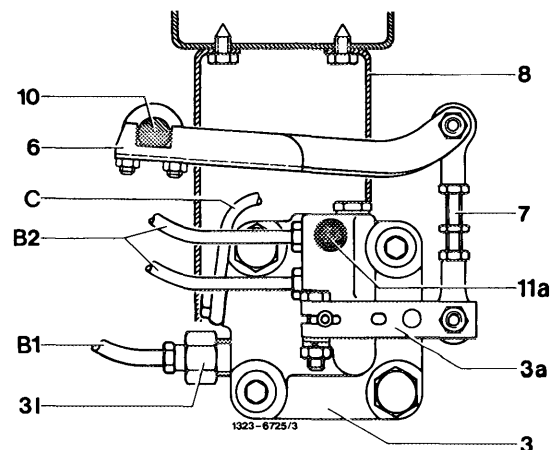
Model 107, 114, 115  
Layout of level controller

- 3 Level controller
- 3a Lever on level controller
- 6 Lever on torsion bar
- 7 Connecting rod
- 7a Ball joint
- 7b Locking clip
- 7c Sealing washer
- 8 Bracket
- 10 Torsion bar
- B1 Pressure line pressure oil pump – level controller
- B2 Pressure line level controller – pressure reservoir
- C Return flow line level controller – oil supply tank



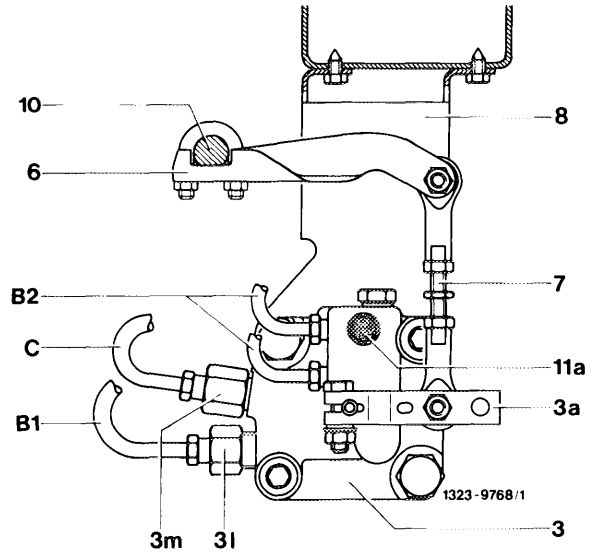
Model 123  
Layout of level controller

- 3 Level controller
- 3a Lever on level controller
- 3l Connection
- 6 Lever on torsion bar
- 7 Connecting rod
- 8 Bracket
- 10 Torsion bar
- 11a Bleed screw
- B1 Pressure line pressure oil pump – level controller
- B2 Pressure line level controller – pressure reservoir
- C Return line level controller – oil supply tank



**Model 126**  
**Layout of level controller**

- 3 Level controller
- 3a Lever on level controller
- 3l Connection for pressure line (B1)
- 3m Connection for return line (C)
- 6 Lever on torsion bar
- 7 Connecting rod
- 8 Bracket
- 10 Torsion bar
- 11a Bleed screw
- B1 Pressure line pressure oil pump – level controller
- B2 Pressure line level controller – pressure reservoir
- C Return line level controller – oil supply tank

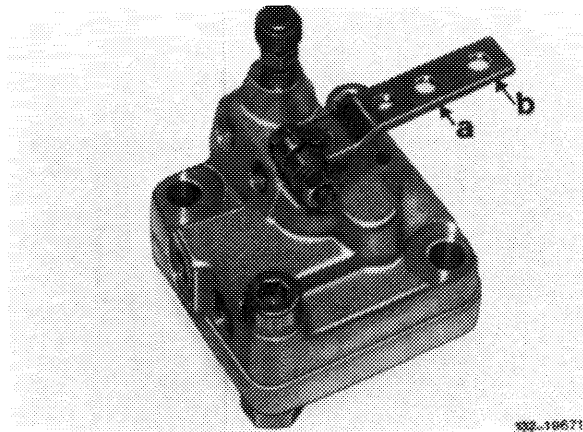


5 Check fastening clip (6a) for tight seat on torsion bar.

**Attention!**

Starting December 1972 a level controller with a larger lever has been installed. This lever has two bores for attaching connecting rod. The bores for the connecting rod for the various models are shown in table.

- "a" = bore for connecting rod of diagonal swing axle without starting torque compensation (not model 123)
- "b" = bore for connecting rod of diagonal swing axle with starting torque compensation (and model 123)



6 Checking and adjusting vehicle level on rear axle under load (40–310).