

32–310 Removal and installation of torsion bar on rear axle

Torsion bar Part no.	Diameter	Rubber mount of torsion bar bearing Part no.	Bore dia.
123 326 44 65 ¹⁾	13	123 326 20 81	11.5–0.5
123 326 45 65 ²⁾			
123 326 46 65 ³⁾	15	123 326 21 81	13.5

¹⁾ For vehicles without level control only (not available as a spare part).

²⁾ For vehicles with level control only (with flat surface for lever of level controller), replacement for 123 326 45 65.

³⁾ Only special vehicles (special body) and T-sedans special version with higher additional load (permissible rear axle load 1295/1300 kg).

Tightening torques		Nm
Hex. screws of torsion bar bearing on frame floor	1st version (with spring washers)	20
	2nd version (micro-encapsulated screws)	30
Ball joints of connecting rods for torsion bar	1st version (metal)	45
	2nd version (plastics)	30

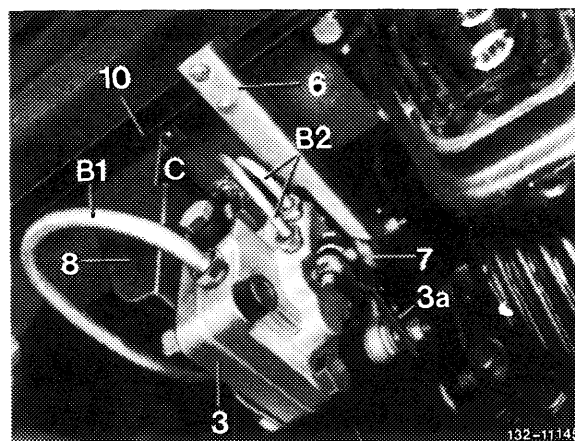
Note

The following steps apply only if torsion bar is to be removed without connecting rods.

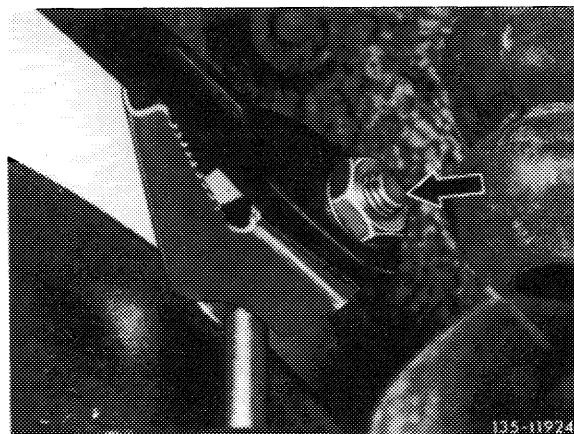
When removing torsion bar with connecting rods, jack up vehicle at the rear and remove rear wheels.

Removal

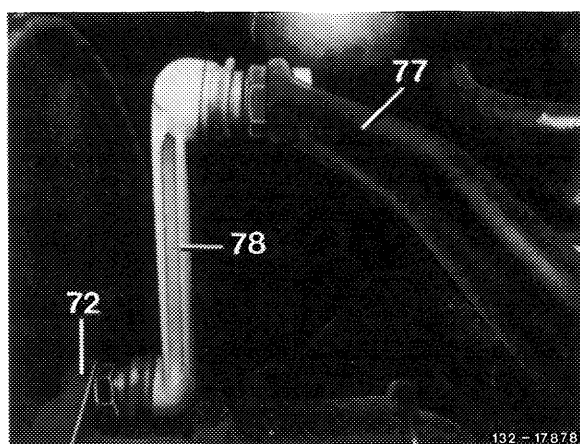
1 On vehicles with level control, disconnect connecting rod (7) for level controller from lever on torsion bar (6).



2 Loosen connecting rod left and right on torsion bar (arrow).



1st version



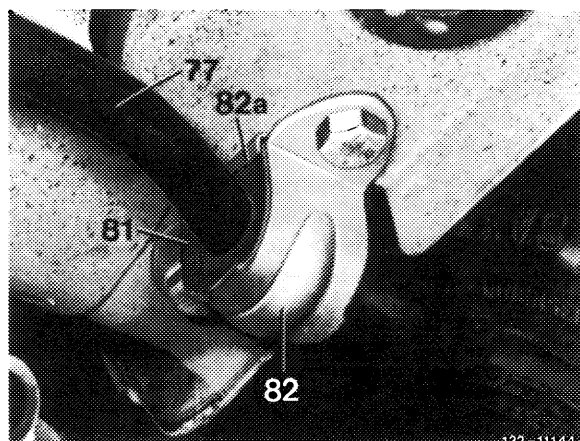
2nd version

- 72 Semitrailing arm
- 77 Torsion bar
- 78 Connecting rod (plastics)

3 Unscrew holding bracket (82) of torsion bar bearing left and right on frame floor. Remove locking plates (82a) and rubber mounts (81) from torsion bar.

4 Disconnect rubber rings of rear exhaust suspension, slightly lower exhaust line and support.

5 Remove torsion bar toward the right.

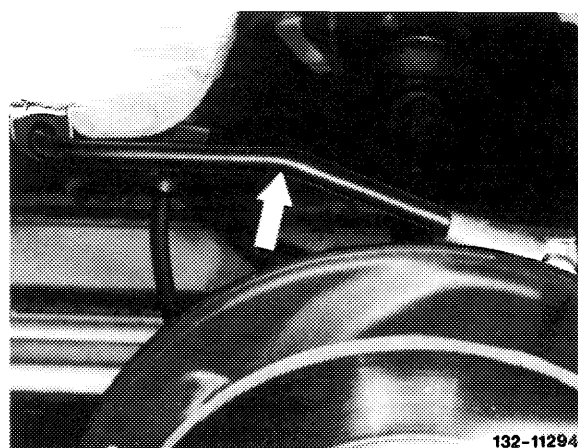


Installation

6 Check rubber mounts of torsion bar bearings and connecting rods and renew, if required.

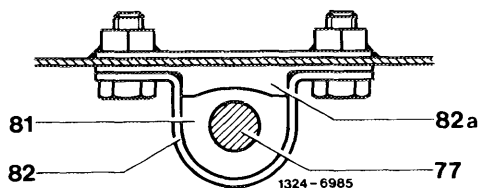
7 If required, mount lever for actuating level controller on torsion bar.

8 Introduce torsion bar in such a manner that the offset of the torsion bar arms is pointing upwards (arrow). Slip-on rubber mounts left and right.



9 Mount locking plates (82a) and attach torsion bar with holding brackets (82) left and right to frame floor.

- 77 Torsion bar
- 81 Rubber mount
- 82 Holding bracket
- 82a Locking plate



10 Attach connecting rod (78) left and right to torsion bar.

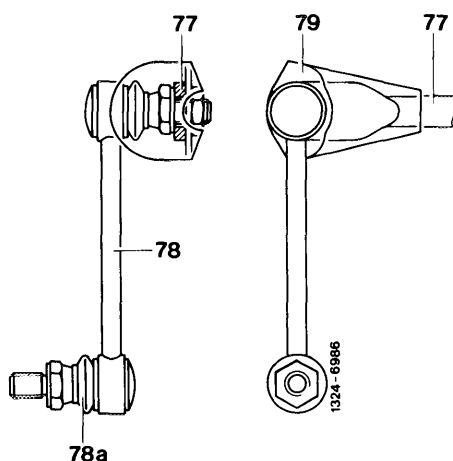
Attention!

Subsequent installation of plastic connecting rod (in pairs only) is possible only on vehicles with brake cover plate of the present version with a larger bulge (standard starting February 1977).

Note different tightening torque of 1st and 2nd version.

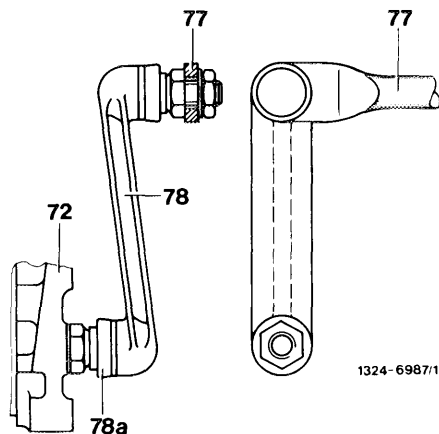
1st version, metal with deflector plate

- 77 Torsion bar
- 78 Connecting rod
- 78a Ball joint
- 79 Deflector plate

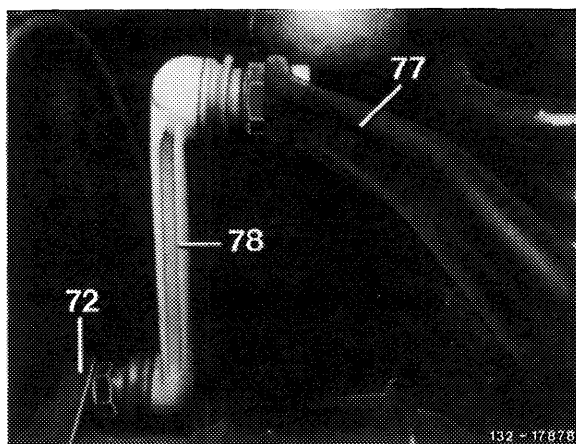


2nd version, plastics without deflector plate

- 72 Semitrailing arm
- 77 Torsion bar
- 78 Connecting rod
- 78a Ball joint



11 Mount rear exhaust line.



12 Additionally on vehicles with level control:

a) Attach connecting rod (7) to lever (6) on torsion bar.

b) Check vehicle level and correct, if required (40–310).

