
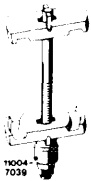


## 32–230 Removal and installation of rear spring

Tightening torques	Nm
Hex bolts of lower shock absorber suspension	45
Hex nuts of upper shock absorber suspension	tighten up to thread runout

### Special tools

Socket 24 mm 1/2" square 450 mm long for spring tensioner		116 589 01 09 00
Spring tensioner for rear spring		115 589 00 31 00

### Note

The rear shock absorbers are simultaneously serving as a deflection stop for the rear wheels. For this reason, loosen shock absorber suspension only when the vehicle is resting on its wheels or, with the vehicle jacked up, the semitrailing arm is supported.

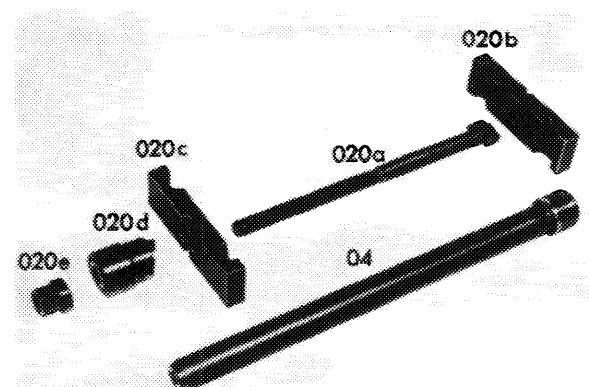
### Attention!

When removing gas pressure shock absorbers with separating piston or piston rod located on top of jacked up vehicle with axle half relieved, make sure that the piston rod is not rotating along while loosening upper suspension. Since in this condition the deflection stop in shock absorber rests against operating piston, the fastening of operating piston to piston rod may become loose. The gas pressure would then result in a sudden extension of piston rod and the oil in shock absorber would flow out (danger).

### Removal

- 1 Remove rear shock absorber or spring strut (32–110 or 32–610). Make sure that the upper shock absorber suspension is not loosened.
- 2 Jack up vehicle.
- 3 Insert tensioning plates of spring tensioner in parallel relation to each other into rear spring in such a manner that 5 coils are engaged.

04 Socket	020c Lower tensioning plate
020a Tensioning screw	020d Guide sleeve
020b Upper tensioning plate	020e Hex nut



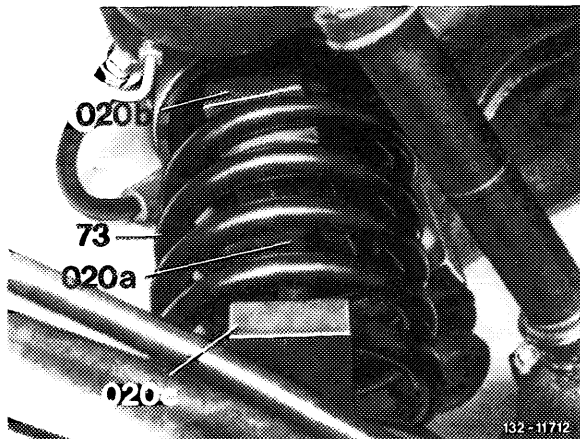
R32/7926

4 Insert tensioning screw through opening in semi-trailing arm.

**Attention!**

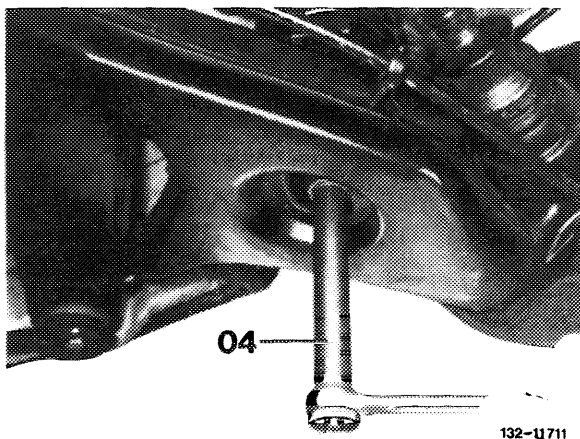
Webs of tensioning screw and guide sleeve should be correctly seated in grooves of lower and upper tensioning plates.

- 73 Rear spring
- 020a Tensioning screw
- 020b Upper tensioning plate
- 020c Lower tensioning plate

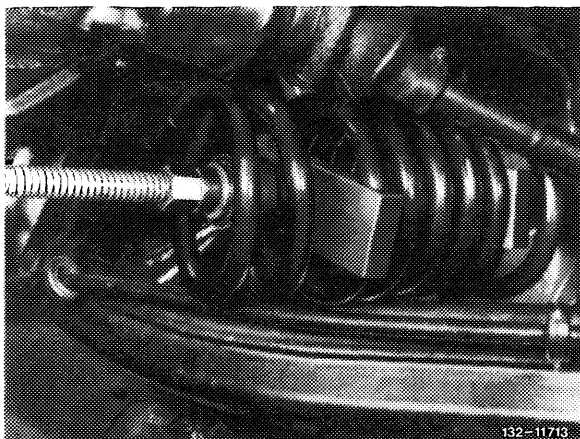


5 Tension rear spring.

04 Socket

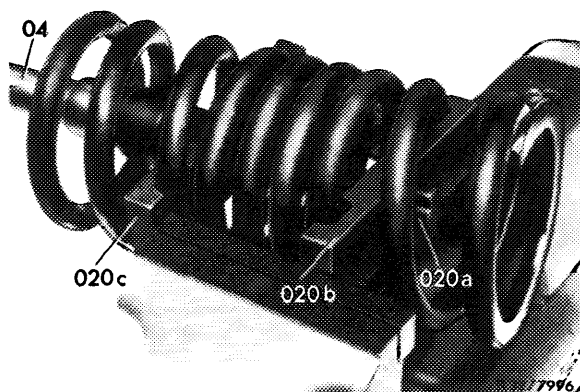


6 Remove rear spring with rubber mount.



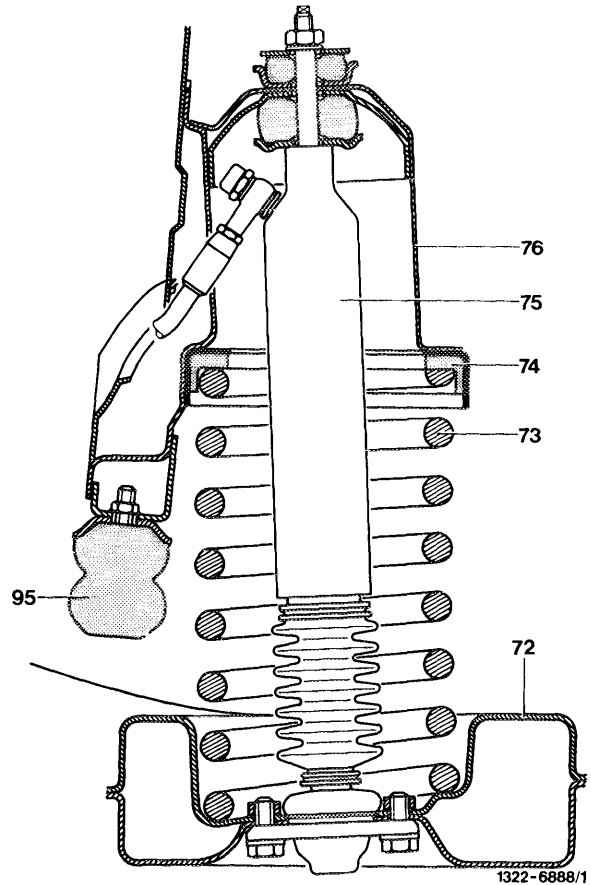
7 Clamp upper tensioning plate and slacken rear spring.

- 020a Tensioning screw
- 020b Upper tensioning plate
- 020c Lower tensioning plate
- 04 Socket



## Installation

- 8 Tension rear spring at 5 coils.
- 9 Place rubber mount on rear spring and introduce rear spring in such a manner that the end coil is seated in impression of semitrailing arm.
- 10 Slacken rear spring, while paying attention to correct location of rubber mount in frame floor and of end coil in semitrailing arm.



- 72 Semitrailing arm
- 73 Rear spring
- 74 Rubber mount
- 75 Shock absorber or spring strut
- 76 Dome on frame floor
- 95 Auxiliary rubber spring

- 11 Install rear shock absorber or spring strut (32-110 or 32-610). Make sure that the lower suspension is mounted on semitrailing arm first.
- 12 Lower vehicle.
- 13 Check semitrailing arm position of rear axle (40-300).
- 14 Check adjustment of headlamps.

**Note:** On the following vehicles a spacing washer 8.5 mm thick is installed in-between auxiliary rubber spring (buffer stop) and frame floor:

Sedans and coupes with harder suspension for countries with poor road conditions,

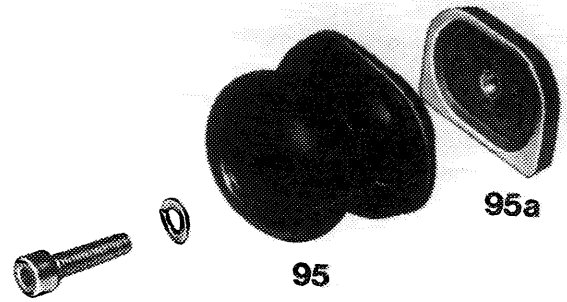
sedans long,

T-sedans with higher additional load,

T-sedans with harder suspension for countries with poor road conditions.

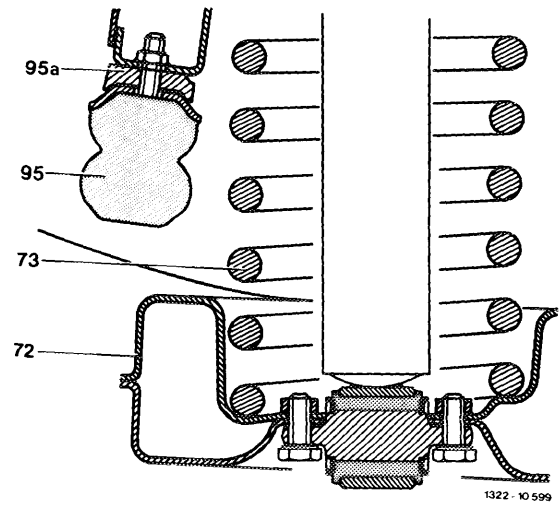
Special vehicles with body made by others.

**Note:** Vehicles with spacing washer are provided with a longer hex socket screw (M 8 x 30).



95 Auxiliary rubber spring  
95a Spacing washer

132 - 13569/1



Layout deflection stop

95 Auxiliary rubber spring  
95a Spacing washer  
72 Semitrailing arm  
73 Rear spring

1322 - 10599