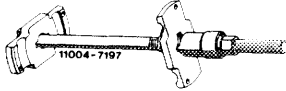
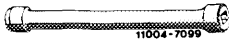
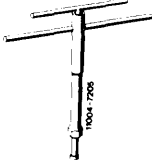


## 32–200 Removal and installation of front spring

---

Tightening torque		Nm
Double hex. screws of lower shock absorber suspension		20
Hex nuts or upper shock absorber suspension		tighten up to runout of thread
<b>Special tools</b>		
Spring tensioner for front spring		116 589 06 31 00
Socket 24 mm, 1/2" square 450 mm long for spring tensioner		116 589 01 09 00
Socket wrench 5 mm for upper shock absorber suspension		107 589 00 09 00

---

### Note

---

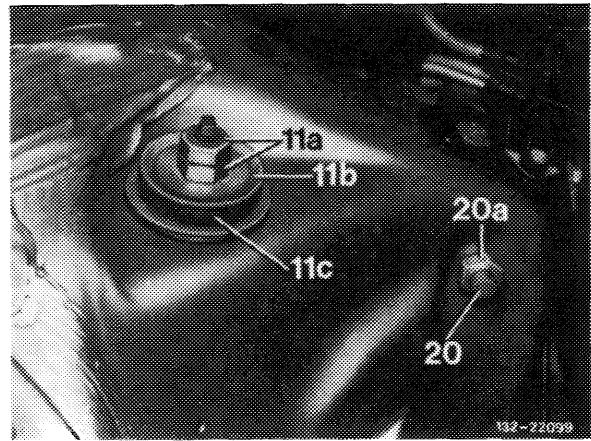
The front shock absorbers are serving simultaneously as a deflection stop for the front wheels. For this reason, loosen shock absorber suspension only when the vehicle is on its wheels or when the control arm is supported. With the shock absorber released, the upper control arm rests on limit stop at front end. For assembly of upper suspension, either place vehicle on its wheels or lift axle half at lower control arm.

### Attention!

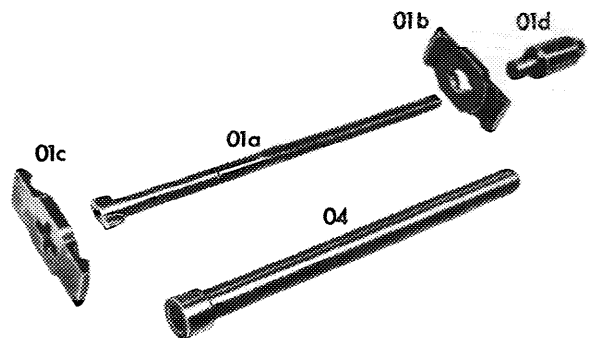
When removing gas pressure shock absorbers with separating piston or piston rod located on top of jacked up vehicle with axle half relieved, make sure that the piston rod is not rotating along while loosening upper suspension. Since in this condition the deflection stop in shock absorber rests against operating piston, the fastening of operating piston to piston rod may become loose. The gas pressure would then result in a sudden extension of piston rod and the oil in shock absorber would flow out (danger).

## Removal

- 1 Release upper shock absorber suspension (11a, 11b, 11c).
- 2 Jack-up vehicle at the front, remove front wheel.



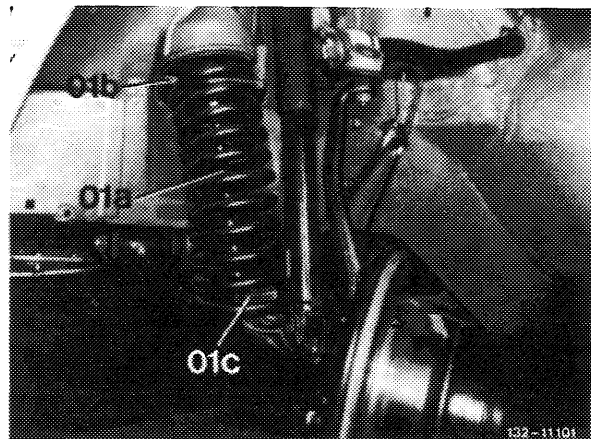
- 3 Insert tensioning plates of spring tensioner offset by 90° into front spring in such a manner that 9 coils will be engaged.



- 01a Tensioning screw
- 01b Upper tensioning plate
- 01c Lower tensioning plate
- 01d Guide sleeve with nut
- 04 Socket

R 32/7927

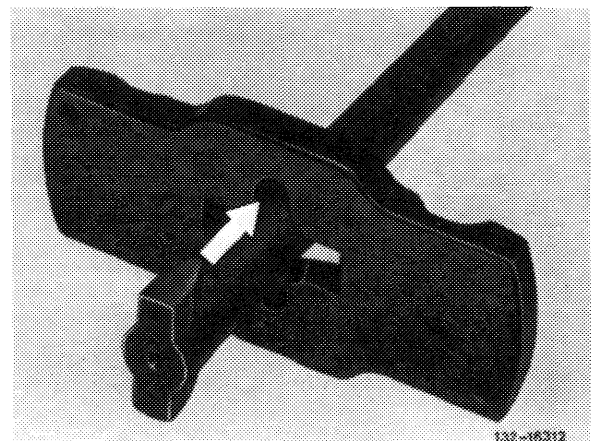
- 4 Insert tensioning screw through dome in wheel house from direction of engine compartment.

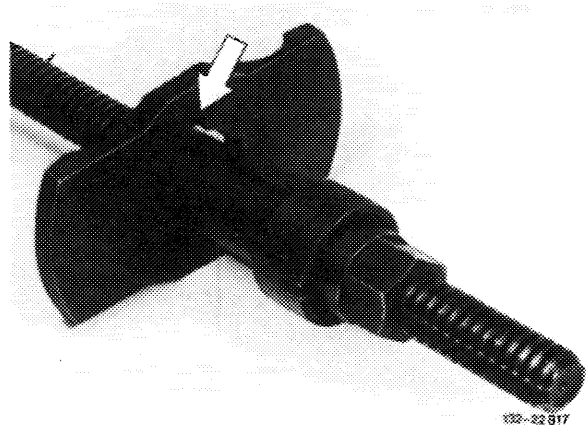


- 01a Tensioning screw
- 01b Upper tensioning plate
- 01c Lower tensioning plate

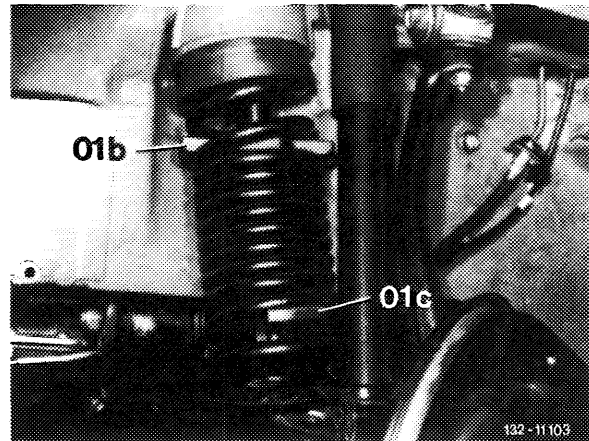
### Attention!

The webs of the tensioning screw and guide sleeve should be correctly located in grooves of upper and lower tensioning plate. Danger!

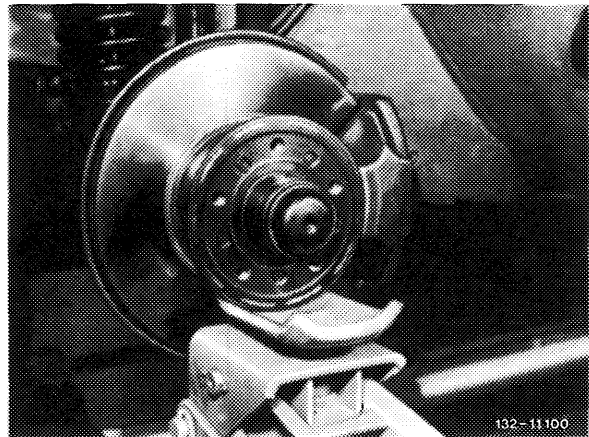




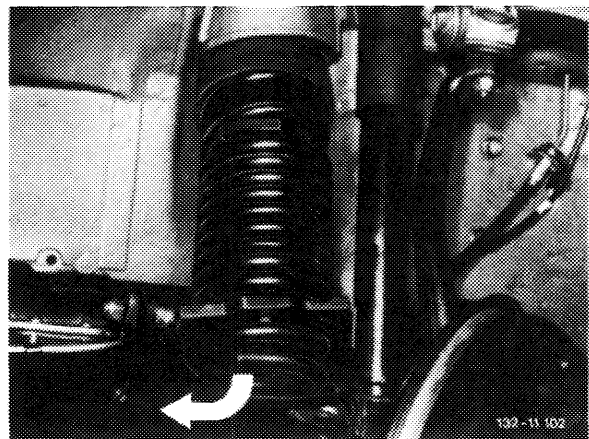
5 Tension front spring while lifting lower control arm by means of the vehicle jack to facilitate tensioning.



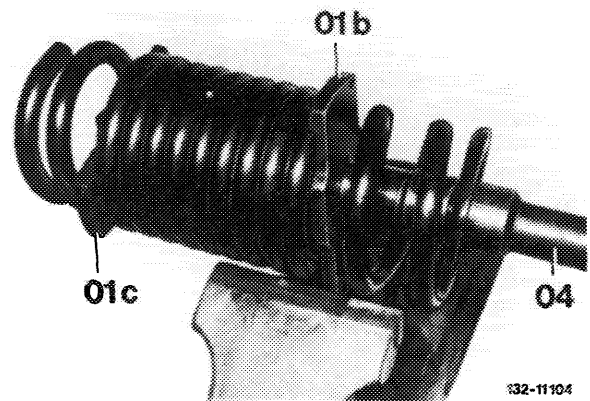
01b Upper tensioning plate  
01c Lower tensioning plate



6 Remove front spring with rubber mount.

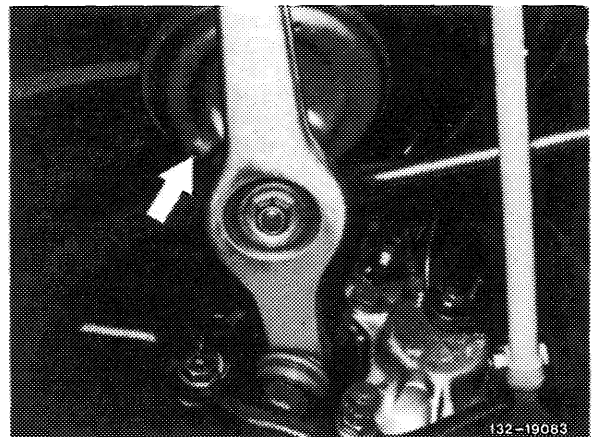


7 Slacken front spring in vise.



## Installation

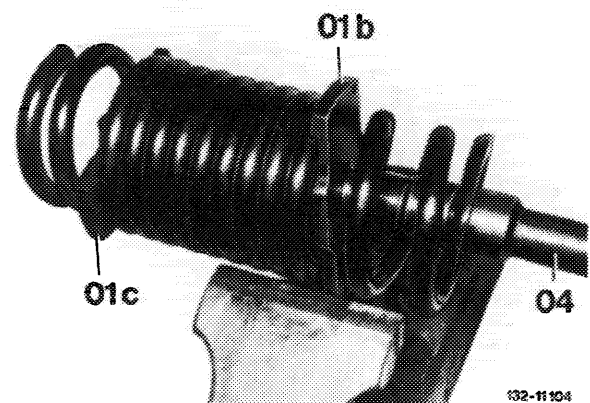
**Note:** Prior to installing front spring, make sure that the water drain hole (arrow) in spring retainer is unobstructed.



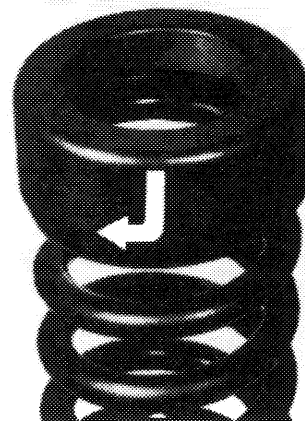
8 Tension front spring at 9 coils. Apply tensioning plates offset by 90°

### Attention!

The webs of the tensioning screw and the guide sleeve should be correctly located in grooves of lower and upper tensioning plate.

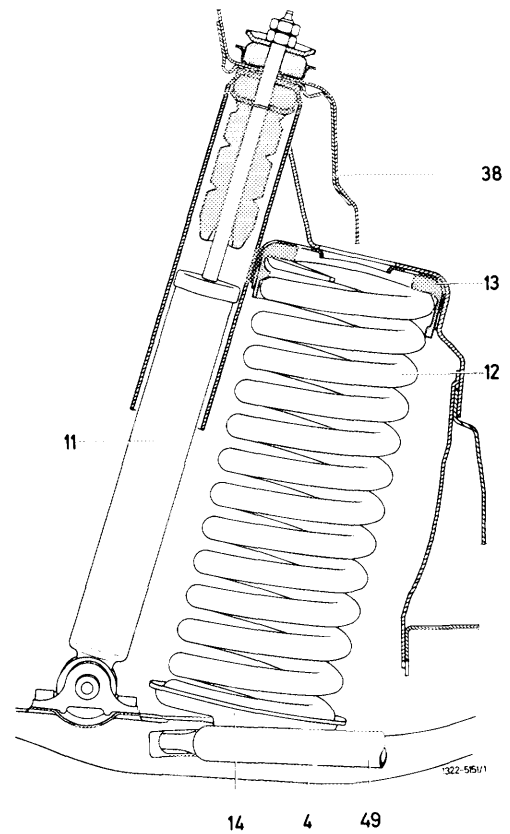


9 Place rubber mount on front spring with a screwing motion.



10 Introduce front spring in such a manner that the coil runout rests in impression of spring retainer.

11 Slacken front spring while paying attention to correct seat of rubber mount in frame floor and of coil runout of spring in spring retainer.



- 4 Lower control arm
- 11 Front shock absorber
- 12 Front spring
- 13 Rubber mount for front spring
- 14 Retainer for front spring
- 38 Front end

12 Mount front wheel, lower vehicle.

13 Mount upper shock absorber suspension.

14 Check vehicle level at front axle (40–300).

15 Check headlamp adjustment.