

32—110 Removal and installation of rear shock absorber

Data

Upper shock absorber suspension

	Part no.	Height	OD	Rubber hardness ° Shore
Rubber ring	upper	115 326 16 68	19	60 ± 5
	lower	115 326 17 68	25	

Initial tension of rubber rings approx. 11.5 mm (limited by threads on piston rod or housing)

Tightening torque

Nm

Hex bolts on lower shock absorber suspension

45

Hex. nuts of upper shock absorber suspension

tighten up to thread runout

Special tools

Hexagon ratchet wrench 17 mm



000 589 32 16 00

Retaining wrench 5 mm



116 589 04 09 00

Note

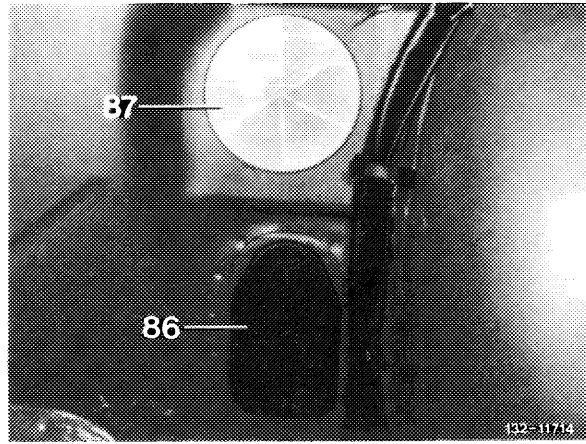
The rear shock absorbers simultaneously serve as a deflection stop for the rear wheels. For this reason, loosen shock absorber suspension only when the vehicle rests on its wheels or when the semitrailing arm is supported. In the event of repairs and independent of make, the shock absorbers can be **individually** exchanged. Only the shock absorber versions identified by color code, e.g. 1 lengthwise line white or 1 crosswise line white, must be in agreement.

Attention!

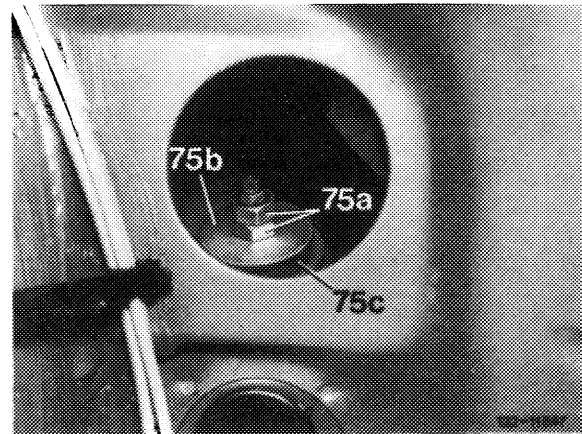
When removing gas pressure shock absorbers with separating piston or piston rod located on top of jacked up vehicle with axle half relieved, make sure that the piston rod is not rotating along while loosening upper suspension. Since in this condition the deflection stop in shock absorber rests against operating piston, the fastening of operating piston to piston rod may become loose. The gas pressure would then result in a sudden extension of piston rod and the oil in shock absorber would flow out (danger).

Removal

- 1 Remove rear seat and backrest.
- 2 Remove cover (87) from rear wall.

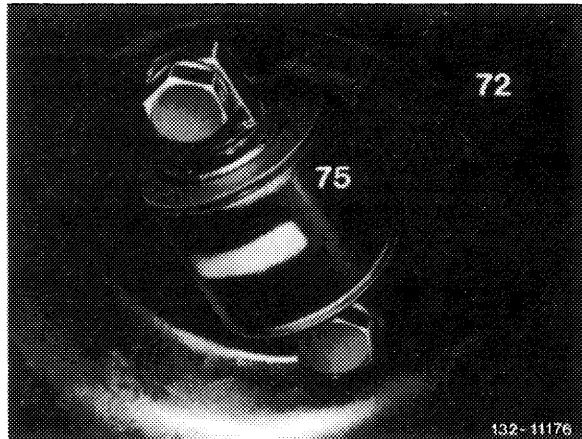


- 3 Unscrew hex. nut of upper suspension, remove disc and rubber ring.



- 75a Hex. nuts
- 75b Disc
- 75c Rubber ring

- 4 Unscrew hex. screws of lower suspension on semi-trailing arm (72) and remove shock absorber (75) in downward direction.



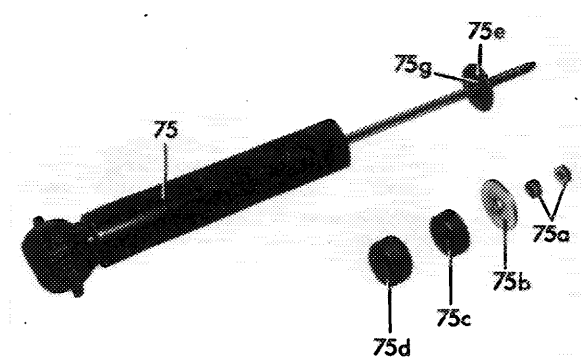
Installation

- 5 Check suspension components.

Note: The fastening bracket of the lower shock absorber suspension should be tightly seated in rubber mount, the rubber mount should not rotate in suspension eye.

Shock absorber with separating piston

- 75 Shock absorber
- 75a Hex. nuts
- 75b Washer
- 75c Upper rubber ring
- 75d Lower rubber ring
- 75e Disc
- 75g Locking ring

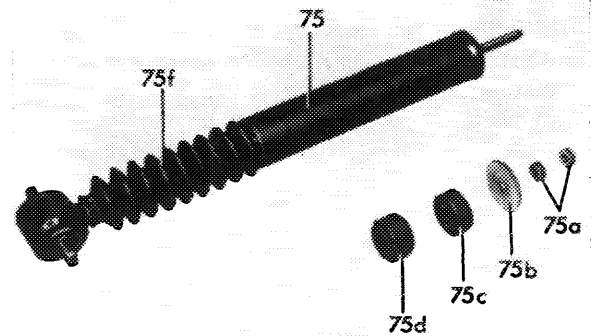


R 32/7707

On F & S shock absorbers without separating piston, starting production 1975, an additional lower disc must be inserted on upper suspension, while the former version did not require a lower disc.

Shock absorber without separating piston F & S

- | | | | |
|-----|----------------|-----|-------------------|
| 75 | Shock absorber | 75c | Upper rubber ring |
| 75a | Hex. nuts | 75d | Lower rubber ring |
| 75b | Washer | 75f | Dust protection |

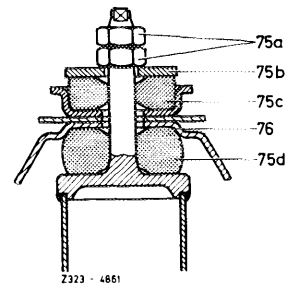


R 32/7706

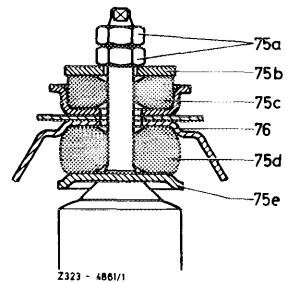
6 Install shock absorber and mount upper suspension, making sure that the parts are correctly seated. Tighten the lower of the two hex nuts up to end of threads, then counterlock with upper nut.

Note: The dust protection (75f) is required only on vehicles with poor road conditions.

1st version
Upper suspension
Shock absorber without separating piston
F & S

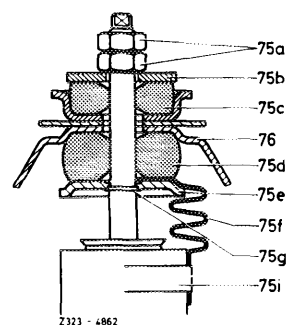


2nd version
Upper suspension
Shock absorber without separating piston
F & S
Boge



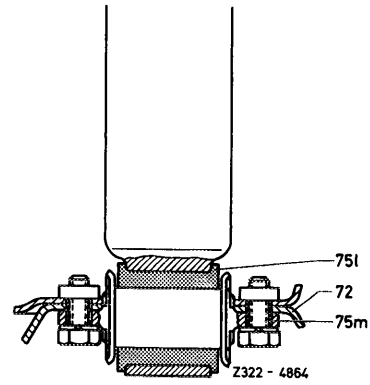
Upper suspension
Shock absorber with separating piston

- | | |
|-----|---------------------------------|
| 75a | Hex. nuts |
| 75b | Washer |
| 75c | Upper rubber ring |
| 75d | Lower rubber ring |
| 75e | Disc |
| 75f | Dust protection |
| 75g | Locking ring |
| 75i | Tensioning strap |
| 76 | Dome on frame floor (rear axle) |



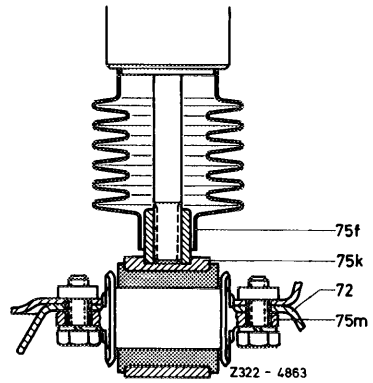
7 Mount lower suspension on semitrailing arm. If the wheels are under load, it will be of advantage to lower the semitrailing arm by lifting vehicle on rear axle until semitrailing arm is at level of fastening bracket on shock absorber.

Lower suspension
Shock absorber with separating piston



Lower suspension
Shock absorber without separating piston
F & S
Boge

72 Semi-trailing arm
75f Dust protection
75k Suspension eye
75l Rubber mount
75m Fastening bracket



8 Insert cover into rear wall, mount backrest and rear seat.