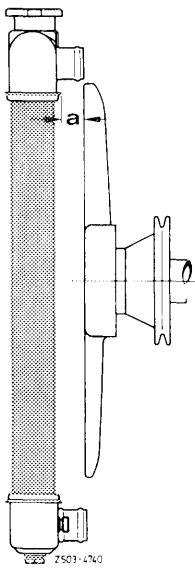


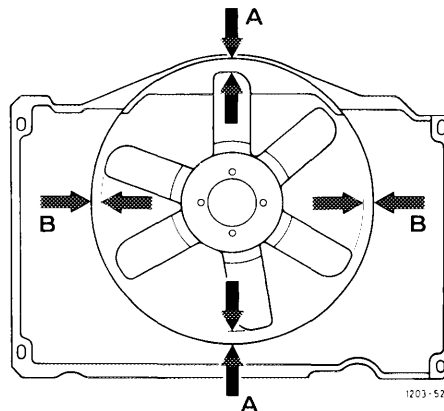
20–420 Removal and installation of radiator

Installation dimensions for radiator/fan and fan/fan hood

Model	Fan distance "a" to radiator, approx. mm	Fan distance to fan hood, approx. mm	
		A	B
115	77	25	20
123	73		



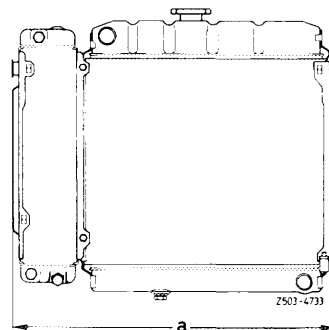
Radiator/fan



Fan hood/radiator

Installation dimension for radiator and/or radiator with air-oil cooler

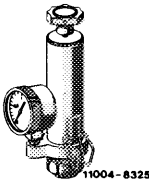
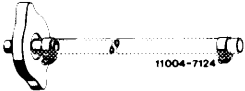
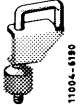
Model	Engine	Installation dimension "a" mm
115.015	115.923, 115.926	633 ± 1
115.005 115.017	115.951	
123.000 123.023 123.043 123.083	115.954	516.6 ± 1.5
123.020	115.938, 115.939	527 ± 1



<b>Tightening torques</b>		Nm
Drain plug radiator	Model 115	8
	Model 123	1.5–2 <sup>1)</sup>
Fastening screws fan hood to radiator		2.5
Cap nuts	Lubricating oil hose to air-oil cooler	25
	Transmission oil hose to transmission oil cooler	15

1) This torque can be attained by using a disc or a coin.

### Special tools

Tester for cooling system and radiator cap		001 589 48 21 00
Radiator cap with hose for leak test		605 589 00 25 00
Clip for hose lines		000 589 40 37 00

### Conventional tool

Hex. socket wrench 7 mm on flexible shaft for hose clips with worm-gear drive	e.g. made by Hazet, D–5630 Remscheid order No. 426–7
---	--

### Removal

1 Drain coolant from radiator (20–010) and loosen coolant hoses on radiator and pull-off.

2 On vehicles with automatic transmission, disconnect transmission oil hoses and screw-off on transmission oil cooler.

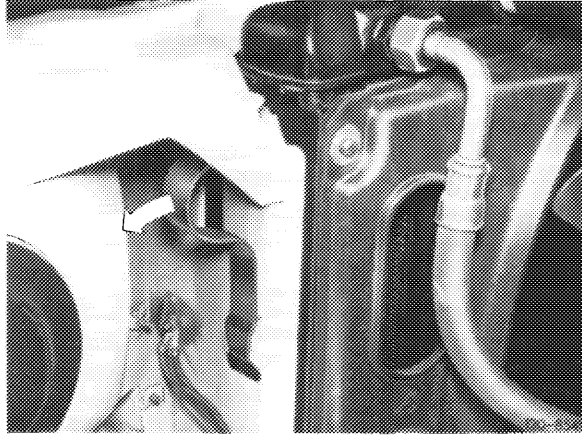
Close exposed connections of transmission oil hoses and connections on transmission oil cooler by means of plastic plugs.

### Model 115

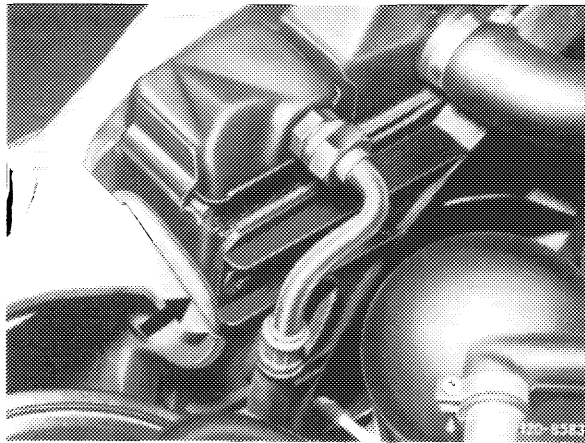
3 Disconnect lubricating oil hoses on model 115.017, and screw-off on air-oil cooler.

Close exposed connections of lubricating oil hoses and connections on air-oil cooler by means of plastic plugs.

4 Unscrew fastening screws for fan hood on radiator top, pull-out fan hood below from holding lugs and place over fan.

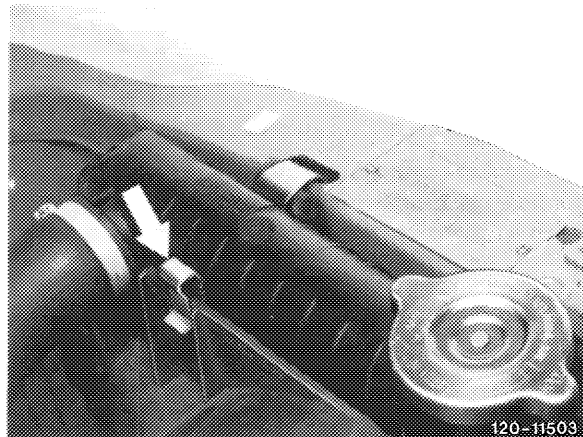


5 Force out rubber loops (arrow) from attachment and lift-off radiator.

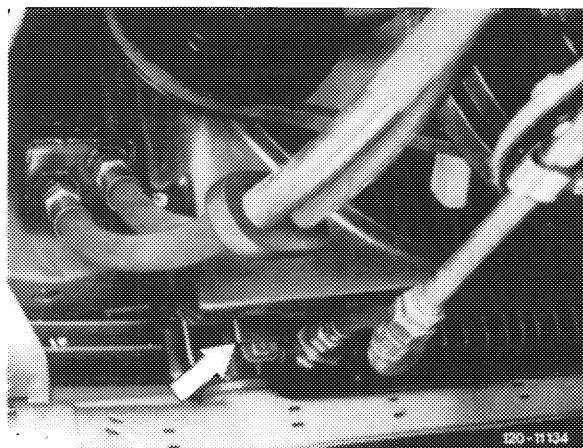


### Model 123

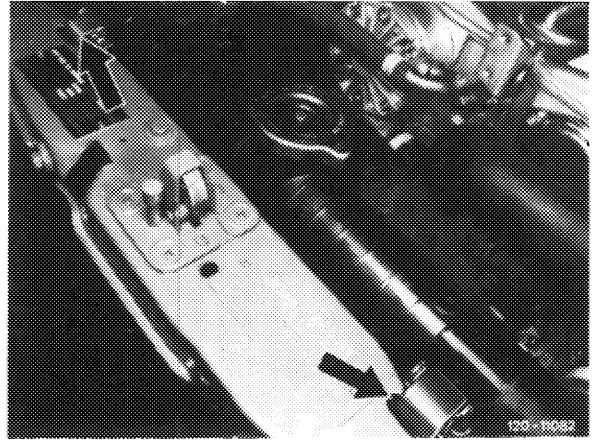
6 Pull-out the flat-shaped springs (arrow) provided on both sides.



7 Pull-out fan hood below from the holding lugs provided on both sides (arrow) and place over fan.



8 Pull-out flat-shaped springs (arrow) and lift-off radiator.



### Installation

---

9 For installation proceed vice versa to removal.

For this purpose, tighten cap nuts of lubricating oil hoses on air-oil cooler to 25 Nm, cap nuts of transmission oil hoses on radiator to 15 Nm, and fastening screws for fan hood on radiator to 2.5 Nm. When tightening the nuts, apply counter-hold.

Observe the specified distances of fan to radiator and to fan hood.

10 Following filling-in of coolant (20-010), check cooling system by pressure testing with tester (1-1.3 bar gauge pressure) for leaks.