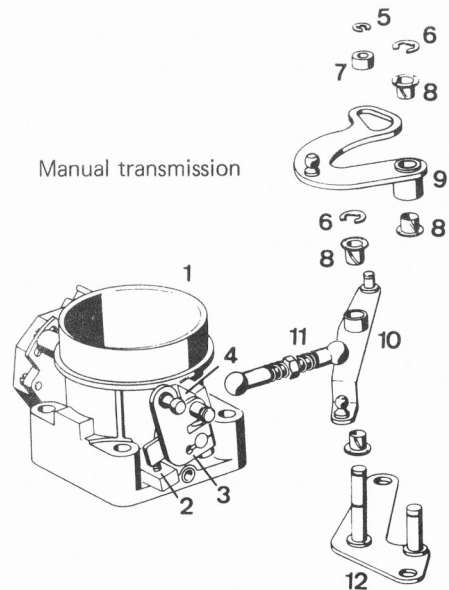


Regulating Linkage 1–20

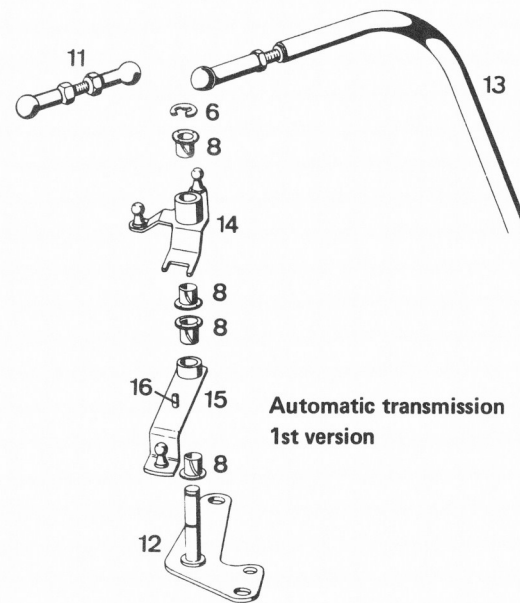
- 1 Valve connection
- 2 Idling speed stop
- 3 Throttle valve lever
- 4 Full throttle stop
- 5 Circlip
- 6 Circlip
- 7 Roller
- 8 Plastic bushing
- 9 Gate shift lever
- 10 Regulating lever
- 11 Connecting rod
- 12 Bearing bracket
- 13 Control push rod
- 14 Regulating lever
- 15 Regulating lever
- 16 Stop pin
- 17 Regulating lever
- 18 Stop
- 19 Gate shift lever
- 20 Regulating lever



Manual transmission

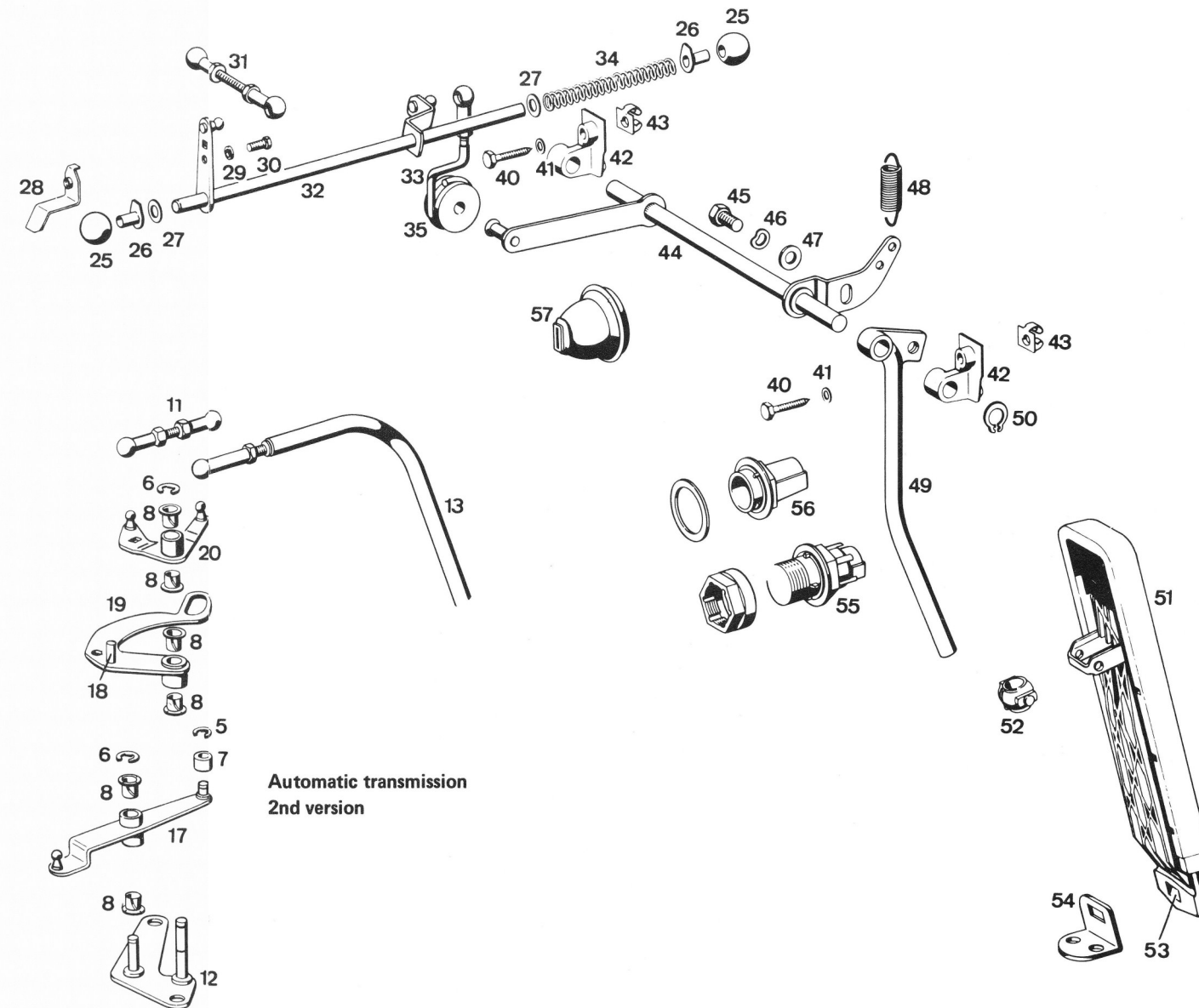
Longitudinal Regulating Shaft 25–35

- 25 Joint ball
- 26 Bearing bushing
- 27 Spacer ring
- 28 Clip
- 29 Snap ring
- 30 Hex. bolt
- 31 Connecting rod
- 32 Longitudinal regulating shaft
- 33 Push rod
- 34 Compression spring
- 35 Damping ring



Regulating Shaft 40–57

- 40 Hexagon sheet metal screw
- 41 Washer
- 42 Bearing
- 43 Cage nut
- 44 Regulating shaft
- 45 Hex. bolt
- 46 Snap ring
- 47 Washer
- 48 Restoring spring
- 49 Accelerator pedal
- 50 Locking ring
- 51 Accelerator pedal
- 52 Joint piece
- 53 Clip
- 54 Fastening plate
- 55 Kickdown switch
- 56 Full throttle stop
- 57 Rubber sleeve



Automatic transmission
1st version

Automatic transmission
2nd version