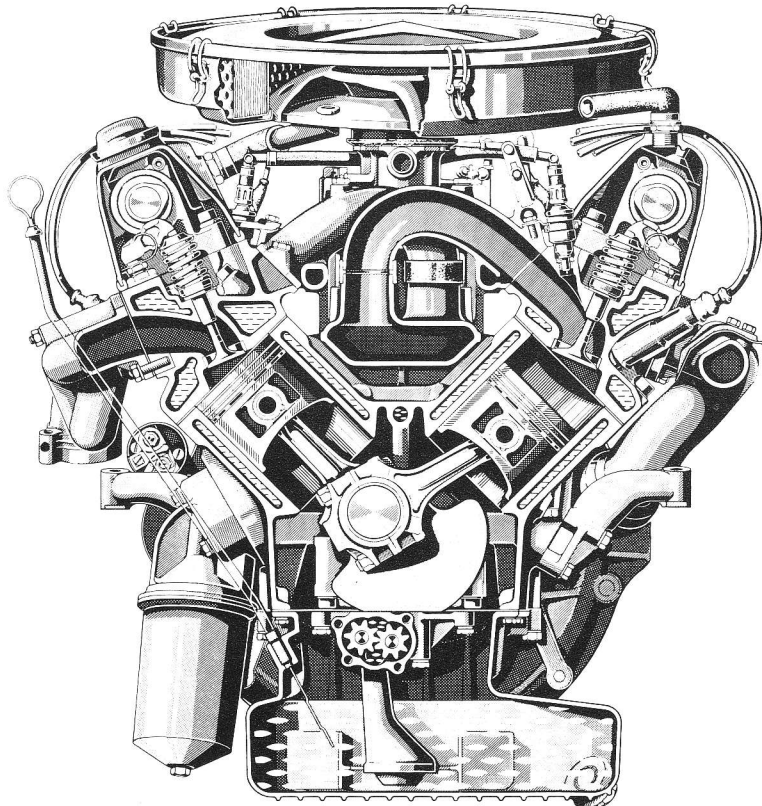


00.1 Engine Longitudinal and Cross Section

M 116, M 117



Z014-4526

