

# 07.4.0 Removal and Installation of Fuel Filter and Fuel Pump

## Removal of Fuel Filter

- 1 Unscrew protective encasing.
- 2 Disconnect and release delivery hoses.
- 3 Loosen both fastening screws (arrows) and remove fuel filter.

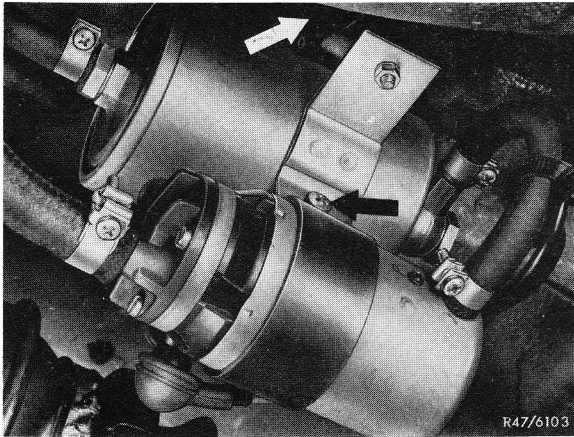


Fig. 1

## Removal of Fuel Pump

- 4 Disconnect delivery and suction hose and release.
- 5 Unscrew electric connection cable and remove fuel pump.

## Installation

For installation proceed vice versa. Watch out for correct polarity of lead on fuel pump. The terminals are marked positive (+) and negative (-).

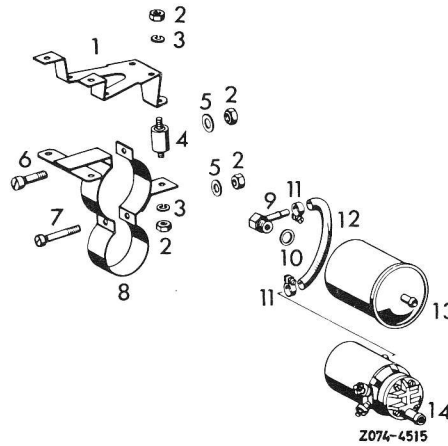


Fig. 2

- |                                 |                 |
|---------------------------------|-----------------|
| 1 Holder                        | 8 Holder        |
| 2 Nut                           | 9 Angle piece   |
| 3 Snap ring                     | 10 Sealing ring |
| 4 Vibration dampening<br>buffer | 11 Hose clip    |
| 5 Washer                        | 12 Fuel hose    |
| 6 Cheesehead screw              | 13 Fuel filter  |
| 7 Cheesehead screw              | 14 Fuel pump    |