

68.1 Removal and Installation of Ornamental Frames on Side Window of Coupe Top

107

Removal

- 1 Remove sealing strip top and rear.
- 2 Unscrew two screws (1) from weather strip (2).
- 3 Remove weather strip (2) together with ornamental frame (3) from side window.

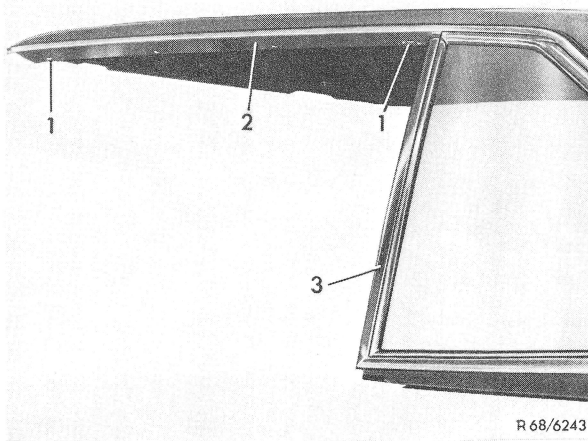


Fig. 1

- 1 Screws on weather strip
- 2 Weather strip
- 3 Ornamental frame on side window

Installation

- 4 For installation proceed vice versa, but watch out for plastic support (4) (Fig. 2).

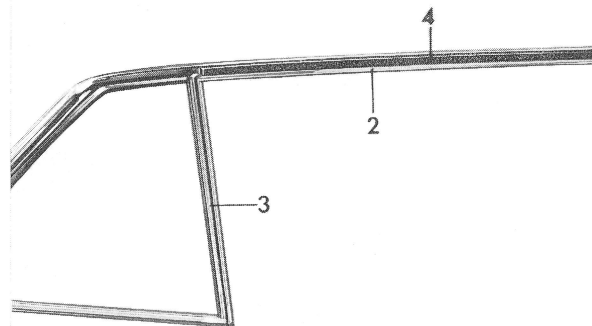


Fig. 2

- 2 Rain strip
- 3 Ornamental frame on side window
- 4 Supporting strip